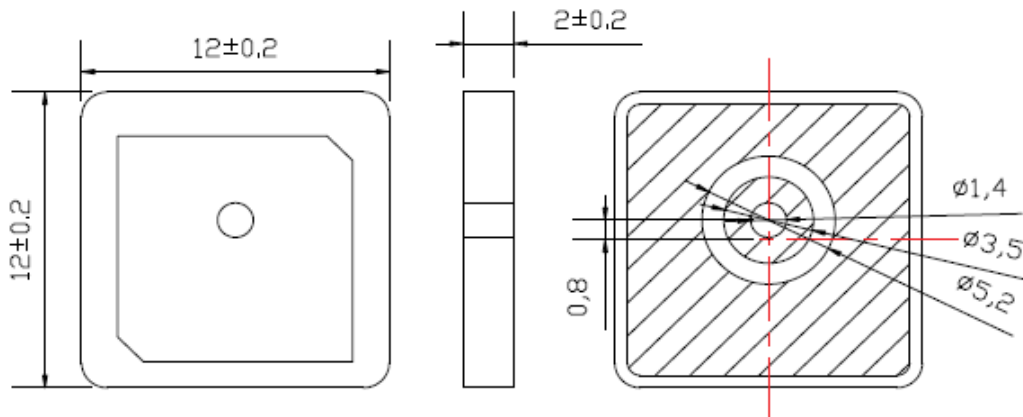


ELECTRICAL SPECIFICATIONS

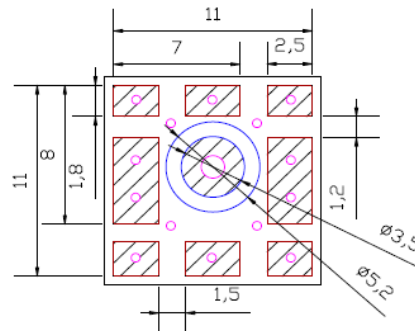
SPECIFICATIONS	SPECIFICATIONS	UNIT
Receiving Frequency Range	1575 ± 1.023	MHz
Center Frequency (with 12x20mm GND Plane)	1575 ± 2.00	MHz
Bandwidth (Return Loss -6dB max), min	5.00	MHz
VSWR (in Center Frequency), max	2	-
Gain (Zenith, with 70x70mm GND Plane), typ	-3.5	dBic
Polarization	RHCP	-
Impedance	50	Ω
Frequency Temperature Coefficient	0 ± 10	ppm/°C
Operating Temperature Range	-40 ~ +85	°C
Storage Temperature Range	-40 ~ +110	°C
Soldering Temperature, max (10 s)	240	°C

DIMENSIONS

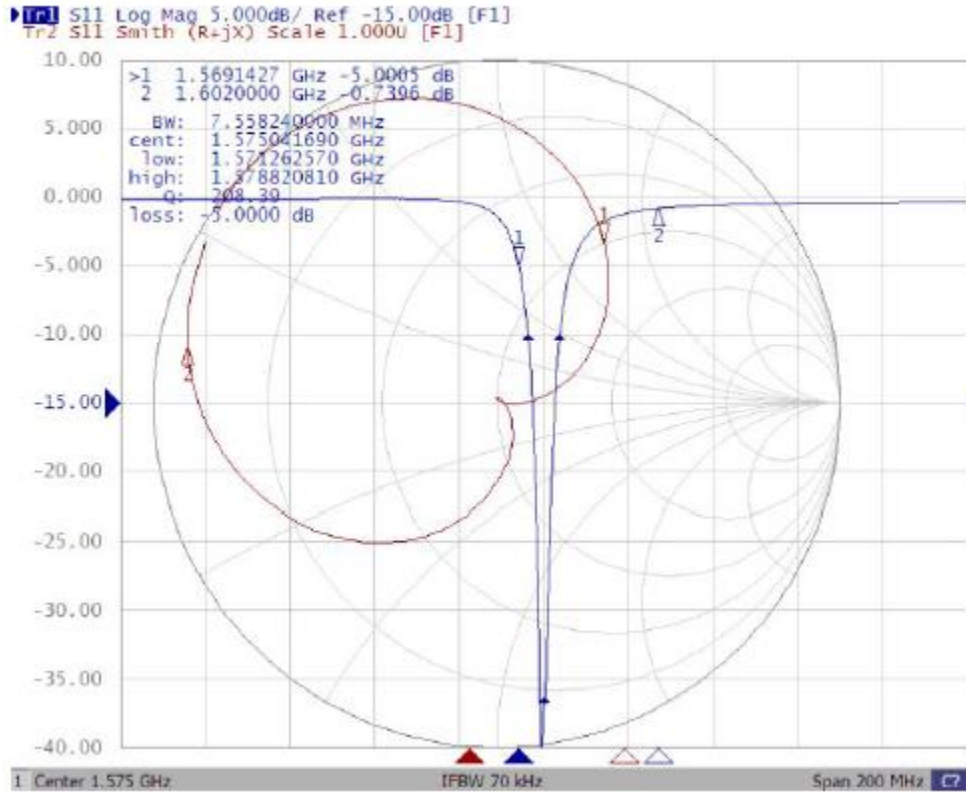


Dimensions: mm

Recommended Land Pattern



FREQUENCY CHARACTERISTICS



APPROVAL

RALTRON	
DRAWN BY:	LP, December 12, 2016
APPROVED BY:	CP, December 14, 2016
REVISION:	A, Initial Release

Raltron Electronics / RAMI Technology USA, LLC, including its affiliates, employees, agents and other persons acting on its behalf (collectively Raltron/RAMI Tech), disclaim any and all liability for any errors or inaccuracies contained in this data sheet. While Raltron/RAMI Tech has made every reasonable effort to ensure the accuracy of all product information, specifications and data contained herein, Raltron/RAMI Tech does not guarantee that the information is accurate, reliable or current. The product information is provided only for reference purposes only and is subject to change, correction or revision, at any time without notice. Raltron/RAMI Tech does not assume any liability arising out of an application or use of any product described herein and disclaims any warranties expressed or implied. The user of products in such applications shall assume all risks of such use and will agree to hold Raltron/RAMI Tech, harmless against all damages.

Copyright © 2016, Raltron Electronics / RAMI Technology USA, LLC. All rights reserved. No part of this document may be reproduced in any form without the prior written permission of Raltron Electronics / RAMI Technology USA, LLC.