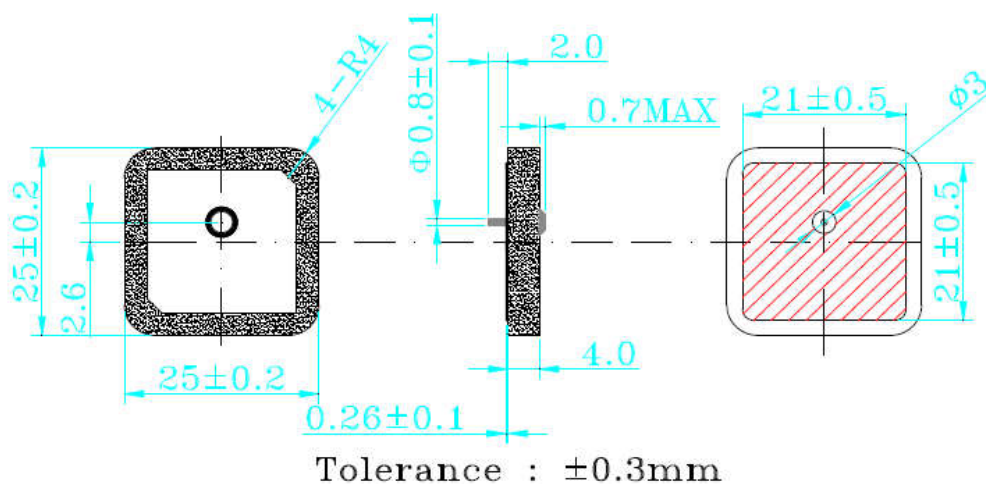


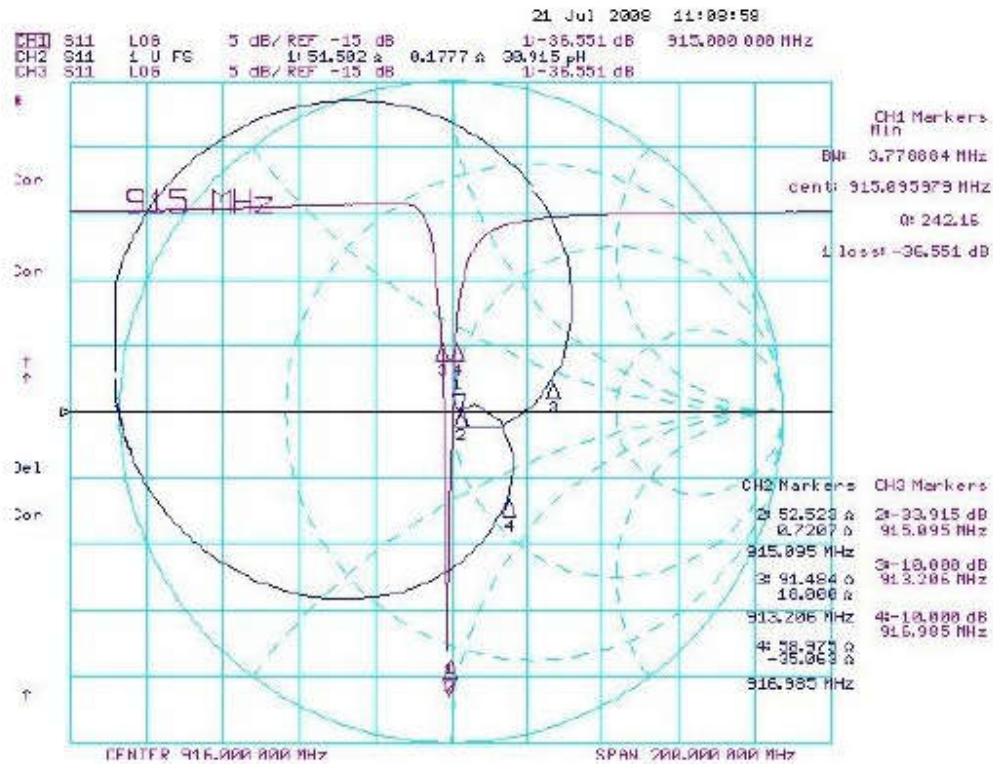
■ ELECTRICAL SPECIFICATION

SPECIFICATIONS	SPECIFICATIONS	UNIT
Receiving Frequency Range	902 ~ 928	MHz
Center Frequency	915 ± 1.5	MHz
Band Width, min	3.5	dB
Return Loss, max	-10	dB
Input Impedance	50	Ω
VSWR, max	1.3	-
Polarization	Right-Handed Circular	-
Axial Ratio, max	3	-
Gain Zenith, typ	0.5	dB
Frequency Temperature Coefficient	0 ± 10	ppm/ °C

■ MECHANICAL SPECIFICATION



FREQUENCY CHARACTERISTICS



May, 2016