

Customer Information Sheet

DRAWING No.: P70-7000045

SHEET 2 OF 2

IF IN DOUBT - ASK

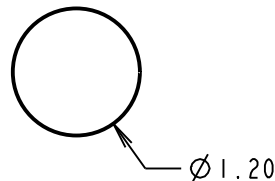


NOT TO SCALE

THIRD ANGLE PROJECTION

ALL DIMENSIONS IN mm

RECOMMENDED PCB
PAD LAYOUT



SPECIFICATION:

MATERIAL:

BODY & PLUNGER = BRASS

SPRING = STAINLESS STEEL WIRE

PLATING:

BODY = 0.1µ GOLD OVER 1.4µ NICKEL

PLUNGER = 0.4µ GOLD OVER 1.4µ NICKEL

ELECTRICAL:

CONTACT RESISTANCE = 30mΩ MAX

CURRENT RATING = 2.0A

MECHANICAL:

FORCE AT NORMAL HEIGHT = 0.68N ± 0.19N

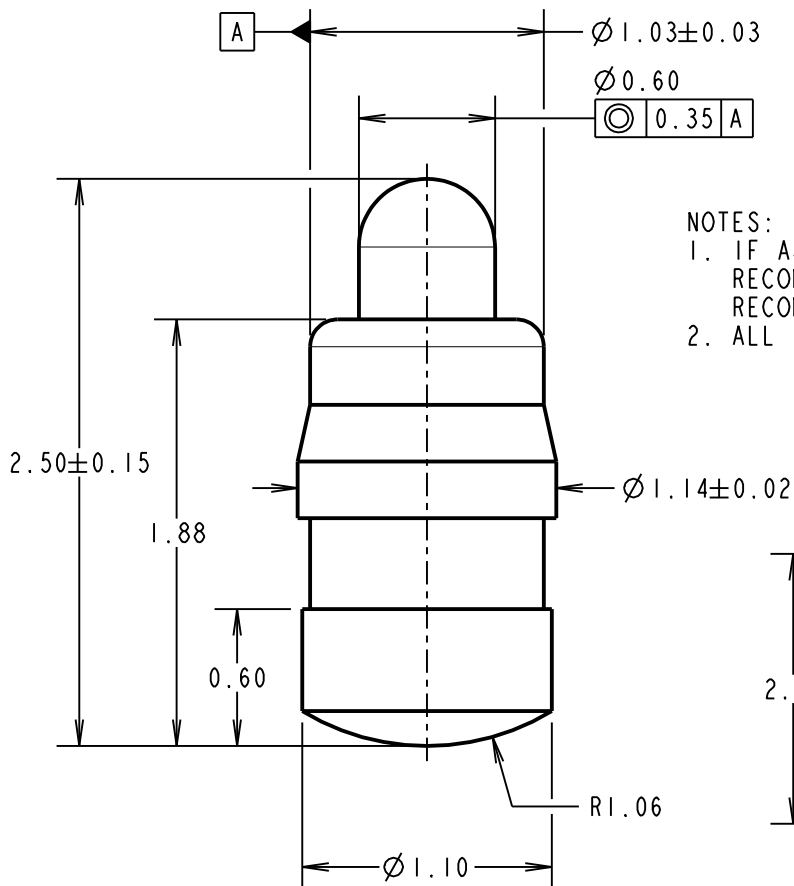
DURABILITY = 10,000 CYCLES

ENVIRONMENTAL:

OPERATING TEMPERATURE = -40°C TO 85°C

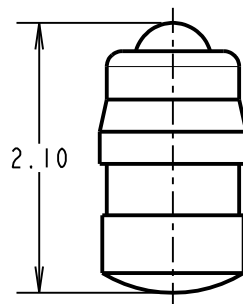
PACKING:

BAG

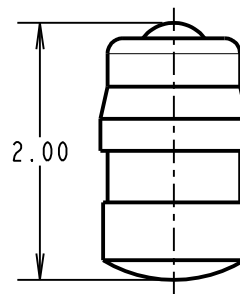


NOTES:

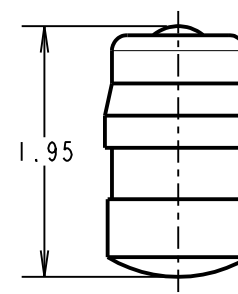
- IF ASSEMBLING PIN INTO MOULDING:
RECOMMENDED HOLE SIZE = Ø 1.09 MIN.
RECOMMENDED MATERIAL = GLASS FILLED PA46.
- ALL PRODUCTS ARE RoHS COMPLIANT.



MAXIMUM WORKING
HEIGHT



NORMAL WORKING
HEIGHT



MINIMUM WORKING
HEIGHT/MAX
ALLOWED TRAVEL

SB	1	08.04.16	-----
NAME	ISS.	DATE	C/NOTE
APPROVED:		S.BENNETT	
CHECKED:		M.PLESTED	
DRAWN:		S.BENNETT	
CUSTOMER REF.:			
ASSEMBLY DRG:			

HARWIN

www.harwin.com
technical@harwin.com

THIS DRAWING AND ANY INFORMATION OR DESCRIPTIVE MATTER SET OUT HEREON ARE CONFIDENTIAL AND COPYRIGHT PROPERTY OF THE HARWIN GROUP AND MUST NOT BE DISCLOSED, LOANED, COPIED OR USED FOR MANUFACTURING, TENDERING OR FOR ANY OTHER PURPOSE WITHOUT THEIR WRITTEN PERMISSION.

TOLERANCES

X. = ±1mm
X.X = ±0.50mm
X.XX = ±0.10mm
X.XXX = ±0.01mm
ANGLES = ±5°
UNLESS STATED

MATERIAL:

SEE ABOVE

FINISH: SEE ABOVE

S/AREA: mm²

TITLE:

SMT SPRING LOADED POGO PIN

DRAWING NUMBER:

P70-7000045

SHT
2 OF 2