

Customer Information Sheet

DRAWING No.: P70-6000045R

SHEET 2 OF 2

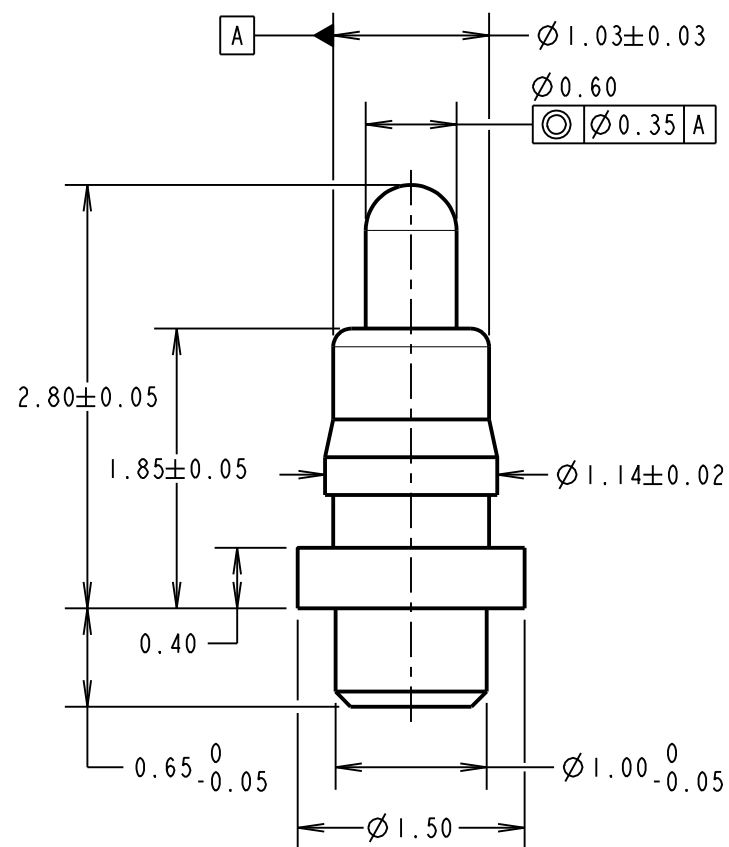
IF IN DOUBT - ASK

©

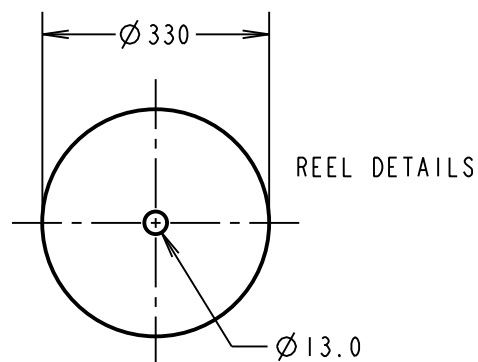
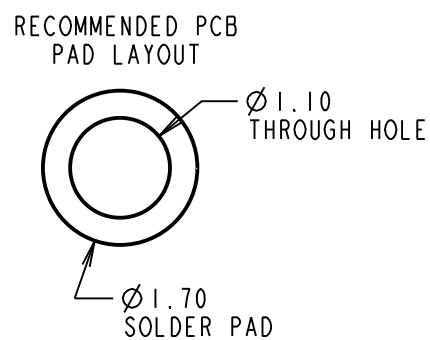
NOT TO SCALE

THIRD ANGLE PROJECTION

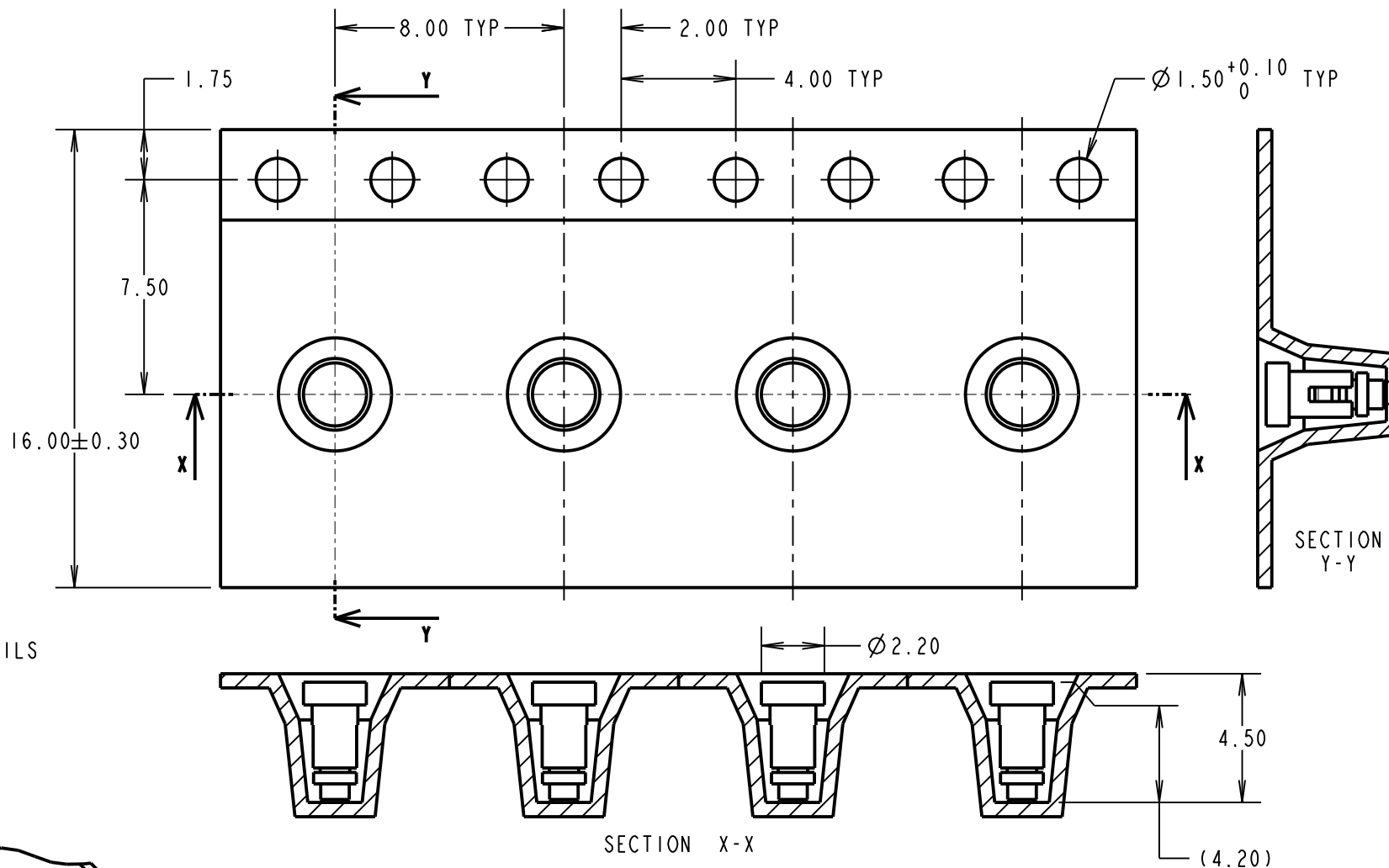
ALL DIMENSIONS IN mm



COMPONENT DETAILS

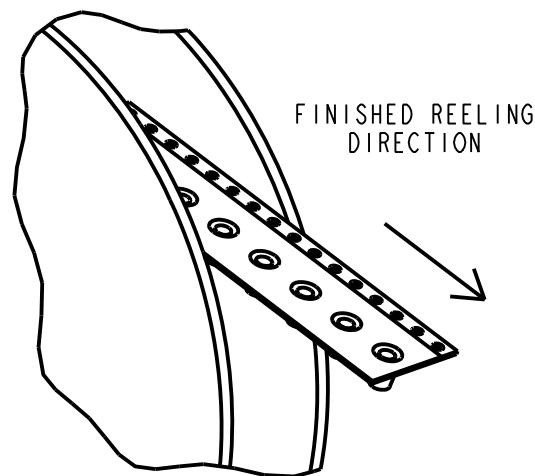
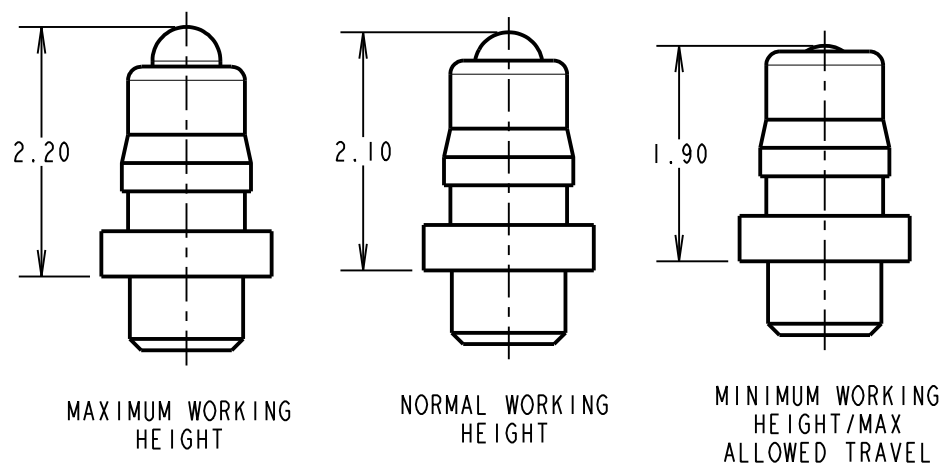


REEL DETAILS

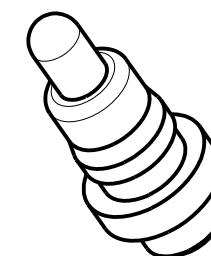


SECTION X-X

SECTION Y-Y



FINISHED REELING DIRECTION



NOTES:

- IF ASSEMBLING PIN INTO MOULDING:
RECOMMENDED HOLE SIZE = $\varnothing 1.09$ MIN.
RECOMMENDED MATERIAL = GLASS FILLED PA46.
- ALL PRODUCTS ARE RoHS COMPLIANT.
- PRODUCT IS TAPE AND REELED IN GENERAL ACCORDANCE WITH EIA-481 (ELECTRONIC INDUSTRIES ASSOCIATION).

SPECIFICATION:

MATERIAL:
BODY & PLUNGER = BRASS
SPRING = STAINLESS STEEL WIRE
PLATING:
BODY = 0.1μ GOLD OVER 1.4μ NICKEL
PLUNGER = 0.4μ GOLD OVER 1.4μ NICKEL
ELECTRICAL:
CONTACT RESISTANCE = $30m\Omega$ MAX
CURRENT RATING = 1.0A
MECHANICAL:
FORCE AT NORMAL HEIGHT = $0.39N \pm 0.09N$
DURABILITY = 10,000 CYCLES
ENVIRONMENTAL:
OPERATING TEMPERATURE = $-40^{\circ}C$ TO $85^{\circ}C$
PACKING:
QUANTITY: 1800 COMPONENTS PER REEL

MSP	2	19.08.16	20041
NAME	ISS.	DATE	C/NOTE
APPROVED:	M. PERREN		
CHECKED:	S. BENNETT		
DRAWN:	S. BENNETT		
CUSTOMER REF.:			
ASSEMBLY DRG:			

HARWIN

www.harwin.com
technical@harwin.com

THIS DRAWING AND ANY INFORMATION OR DESCRIPTIVE MATTER SET OUT HEREON ARE CONFIDENTIAL AND COPYRIGHT PROPERTY OF THE HARWIN GROUP AND MUST NOT BE DISCLOSED, LOANED, COPIED OR USED FOR MANUFACTURING, TENDERING OR FOR ANY OTHER PURPOSE WITHOUT THEIR WRITTEN PERMISSION.

TOLERANCES
X. = $\pm 1mm$
X.X = $\pm 0.50mm$
X.XX = $\pm 0.10mm$
X.XXX = $\pm 0.01mm$
ANGLES = $\pm 5^{\circ}$
UNLESS STATED

MATERIAL:
SEE ABOVE
FINISH: SEE ABOVE
S/AREA: mm²

TITLE: SMT SPRING LOADED POGO PIN WITH PEG, IN TAPE AND REEL

DRAWING NUMBER: P70-6000045R