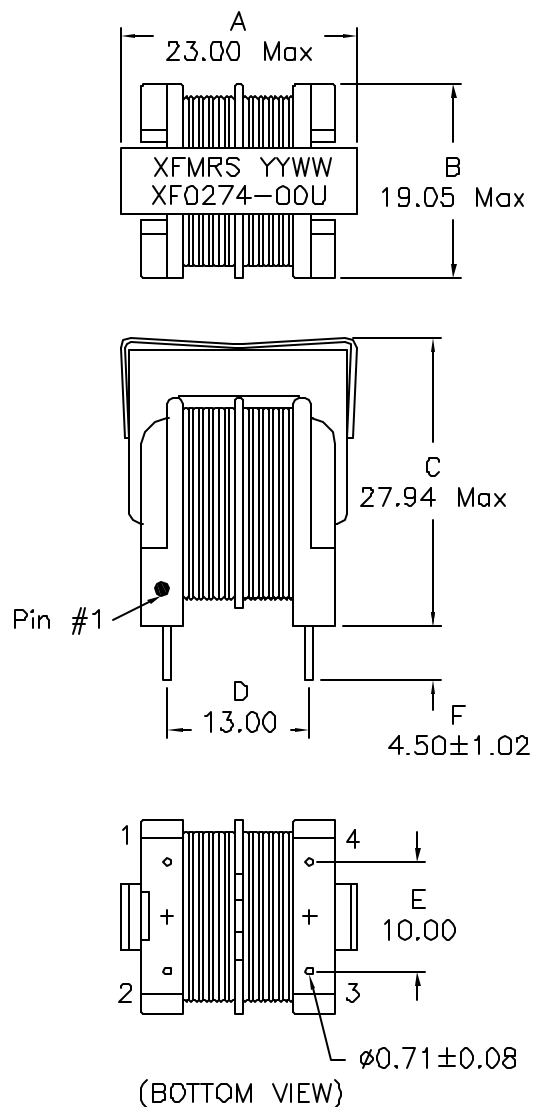
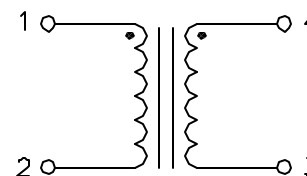


1. Mechanical Dimensions:



2. Schematic:



3. Electrical Specifications:

OCL: 2.7mH Min @1KHz 1V, Each Wdg
 OCL: Wdg.1-Wdg.2 60uH Max @1KHz 1V
 Impedance: 20KOhms Max @1000KHz
 Frequency Range: 5100 - 1400KHz
 DCR: 0.20 Ohms Max, Each Wdg
 RATED CURRENT: 1.6A
 TURNS RATIO: Pins (1-2):(4-3)=1:1±5%
 HIPOT: 2000Vac, Wdg to Wdg
 HIPOT: 1000Vac, Wdgs to Core

Notes:

1. Solderability: Leads shall meet MIL-STD-202, Method 208D for solderability.
2. Flammability: UL94V-0
3. ASTM oxygen index: > 28%
4. Insulation System: Class F 155°C, UL file E151556
5. Operating Temperature Range: All listed parameters are to be within tolerance from -40°C to +85°C
6. Storage Temperature Range: -55°C to +125°C
7. Aqueous wash compatible
8. Electrical and mechanical specifications 100% tested
9. RoHS Compliant Component

DOC REV: A/1

| | | | |
|--|-----------------|-----------------------------|-----------|
| XFMRS Inc www.XFMRS.com | | Title: COMMON MODE CHOKE | |
| UNLESS OTHERWISE SPECIFIED TOLERANCES: .xx ±0.30 | P/N: XF0274-00U | | REV. A |
| | DWN. | Juan Mao | Jun-25-08 |
| Dimensions in mm | CHK. | YK Liao | Jun-25-08 |
| SHEET 1 OF 1 | APP. | BW | Jun-25-08 |