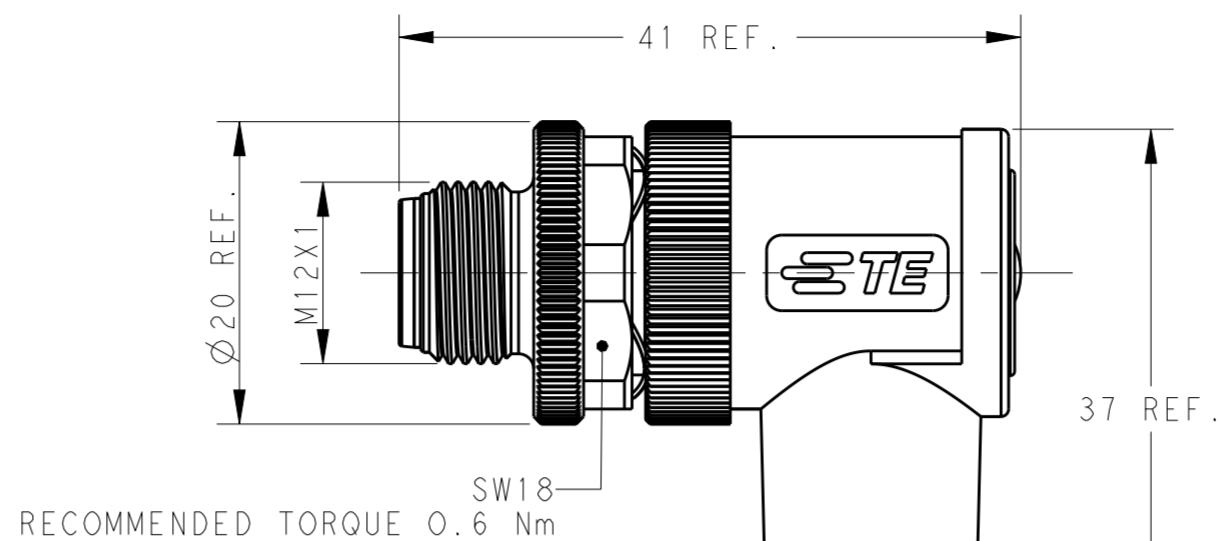
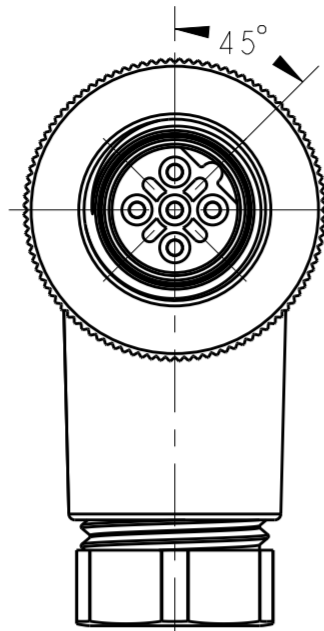
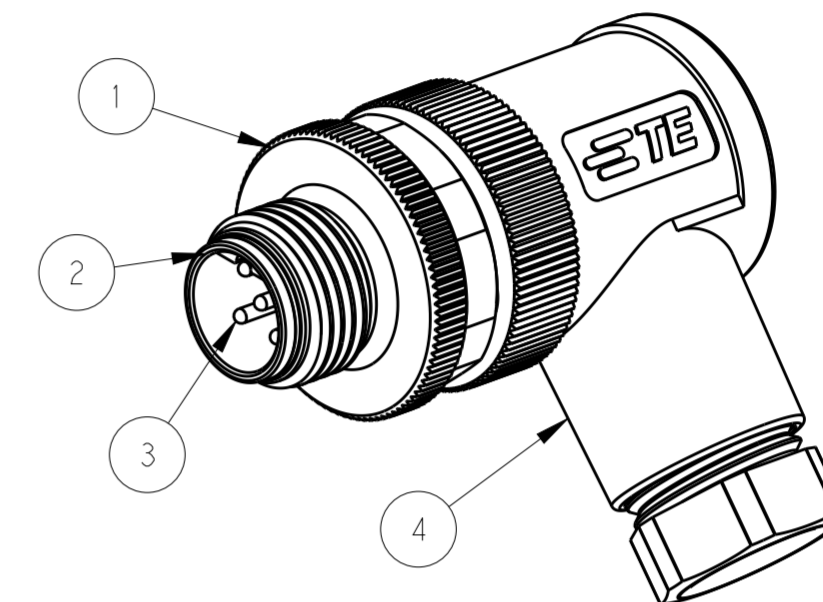


THIS DRAWING IS UNPUBLISHED. RELEASED FOR PUBLICATION 20  
 © COPYRIGHT 20 BY - ALL RIGHTS RESERVED.

REVISIONS				
P	LTR	DESCRIPTION	DATE	APVD
A		INITIAL RELEASE	24JUL2015	NP XX
A1		ECR-15-018715 ADD 114 SPEC.	29DEC2015	NP XX



RECOMMENDED TORQUE 0.6 Nm



TECHNICAL DATA	T411340X02X-000	T411340X03X-000	T411340X04X-000	T411340X05X-000	T411340X08X-000
RATED VOLTAGE	250V	250V	250V	60V	30V
RATED CURRENT	4A	4A	4A	4A	2A
POLLUTION DEGREE	3	3	3	3	3
OVERVOLTAGE CATEGORY	II	II	II	II	II
MATERIAL GROUP	II	II	II	II	II
CONTACT RESISTANCE	≤8mΩ	≤8mΩ	≤8mΩ	≤8mΩ	≤8mΩ
INSULATION RESISTANCE	>100MΩ	>100MΩ	>100MΩ	>100MΩ	>100MΩ
DEGREE OF PROTECTION	IP67	IP67	IP67	IP67	IP67
OPERATION TEMPERATURE	-40~85°C	-40~85°C	-40~85°C	-40~85°C	-40~85°C

NOTE:

- MATERIAL:
  - ITEM NO.1: NUT -BRASS
  - ITEM NO.2: HOUSING -PA
  - ITEM NO.3: CONTACT -BRASS
  - ITEM NO.4: HOUSING BODY: -PBT+GF
- CONTACT FINISH:
  - GOLD OVER NICKEL OR SILVER OVER NICKEL
- CABLE WIRES:
  - 18AWG/0.75mm<sup>2</sup> Max. FOR 2-5 PINS
- ALL DIMENSIONS ARE FOR NOMINAL REFERENCE ONLY UNLESS OTHERWISE STATED
- PACKAGEING: 1PIECE IN A BAG
- PN INFORMATION

PIN ARRANGEMENT B-CODE

T411340X02X-000	T411340X03X-000	T411340X04X-000
T411340X05X-000		

T4113402051-000	RPC-M12B-MR-5CON-PG9-MU
T4113401051-000	RPC-M12B-MR-5CON-PG7-MU
T4113402052-000	RPC-M12B-MR-5CON-PG9-M
T4113401052-000	RPC-M12B-MR-5CON-PG7-M
T4113402041-000	RPC-M12B-MR-4CON-PG9-MU
T4113401041-000	RPC-M12B-MR-4CON-PG7-MU
T4113402042-000	RPC-M12B-MR-4CON-PG9-M
T4113401042-000	RPC-M12B-MR-4CON-PG7-M
T4113402031-000	RPC-M12B-MR-3CON-PG9-M
T4113401031-000	RPC-M12B-MR-3CON-PG7-MU
T4113402032-000	RPC-M12B-MR-3CON-PG9-M
T4113401032-000	RPC-M12B-MR-3CON-PG7-M
T4113402021-000	RPC-M12B-MR-2CON-PG9-MU
T4113401021-000	RPC-M12B-MR-2CON-PG7-MU
T4113402022-000	RPC-M12B-MR-2CON-PG9-M
T4113401022-000	RPC-M12B-MR-2CON-PG7-M
TE PN	TYPE

T411340XXX-000	
CONTACT FINISH:	1: GOLD OVER NICKEL 2: SILVER OVER NICKEL
NUMBERS OF PINS:	02: 2 PINS 03: 3 PINS 04: 4 PINS 05: 5 PINS 08: 8 PINS
CABLE OUTLET:	1: PG7(CABLE FEED: 4-6mm) 2: PG9(CABLE FEED: 6-8mm)
BRAND:	T: W/ TE LOGO N: W/O LOGO

THIS DRAWING IS A CONTROLLED DOCUMENT.		DWN HAO WANG 08DEC2014	TE Connectivity	
		CHK KOBBY ZHAO 08DEC2014		
		APVD XIANG XU 08DEC2014	NAME M12 MALE, B CODE, RIGHT ANGLE UNSHIELDED CONNECTOR SCREW TERMINAL	
DIMENSIONS: mm		TOLERANCES UNLESS OTHERWISE SPECIFIED:	PRODUCT SPEC 108-106140	
MATERIAL		FINISH	APPLICATION SPEC 114-137144	
			WEIGHT	
			Customer Drawing	
			SIZE A2	RESTRICTED TO
			CAGE CODE	DRAWING NO
			SCALE 2:1	SHEET 1 OF 1
			REV A2	