

Designed for using in Japan

1. Structure:

This LED lamp is intended for replacement of incandescent light bulb.
The module consists of white GaN LED as light source and power supply, and can be electrically connected with E26 cap and socket.

2. Application

General lighting

3. Absolute Maximum Ratings (Ta=25°C)

No.	Description	Symbol	Specification	Unit	Remarks
1	Input voltage	V _{in}	90 ~ 110	V	
2	Operating temp.	Topr	0 ~ +40	°C	No condensation under 80%RH
3	Storage temp.	Tstg	-10 ~ +50	°C	No condensation under 80%RH

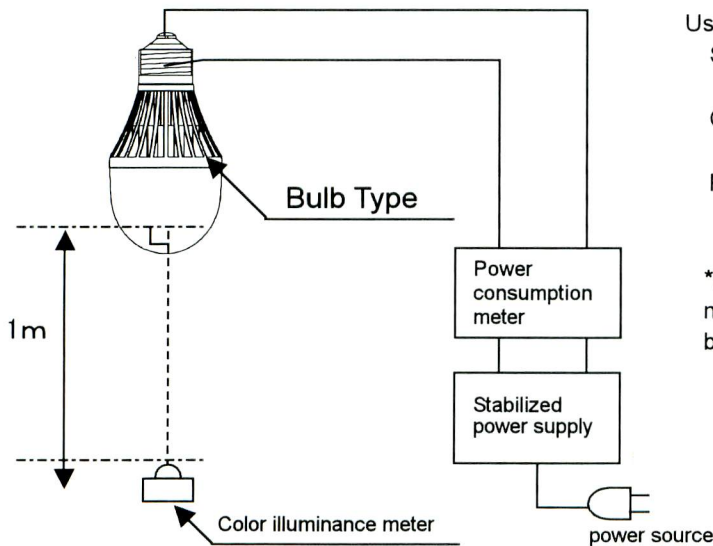
4. Characteristics (Ta=25°C)

No.	Description	Specification			Unit	Remarks
		MIN	TYP	MAX		
1	Light source colour	equivalent Bulb colour			-	
2	Dimension	Diameter	—	55	56	mm
		Total height	—	108	109	mm
3	Weight	—	110	122	g	
4	Bulb cap	for E26 socket			-	
5	Power supply frequency	50/60 common			Hz	
6	Power consumption	—	7	8	W	*Note1
7	Illuminance	34	45	—	Lx	*Note1
8	Color temperature	2600	2900	3250	K	*Note1

Input voltage: AC 100V, Frequency: 60Hz supplied by stabilized power supply

*Note1 Illuminant measurement condition:

Illuminant measurement method : Measured 1m throw in dark room (Ta=25°C)



Used instrument

- Stabilized power supply
KIKUSUI AC Power Supply PCR500M
- Color illuminance meter
YOKOGAWA color illuminance meter 520-05
- Power consumption meter
HIOKI Power HiTESTER 3333

*Performance and accuracy of the measurement equipments are to be equal to or better than above mentioned.

TENTATIVE

All values specified are tentative at design stage level and may be varied without prior notification.

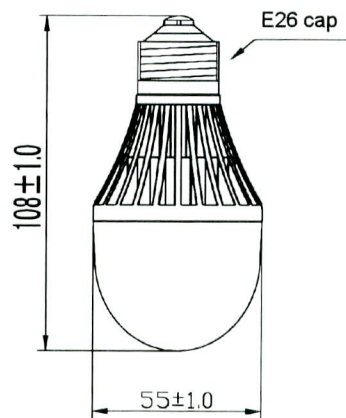
·measured in dark room

DESIGN <i>[Signature]</i>	CHECK <i>[Signature]</i>	APPROVAL <i>[Signature]</i>	DATE:2010/07/26	SPECIFICATION No. SLTG0208
			REV. F	ROHM Co.,Ltd.

5. Safety Precaution

- Do not touch the lamp because it is too hot on lighting or directly after running off.
- Do not touch the lamp with wet hands. It may cause electric shock or failure.
- Use the suitable lighting fixture for this lamp
- Exchange the lamp after a lapse of 20min. from power supply turned off.
- LED has distribution in colour and brightness; Colour and brightness may be different by LED lamps.
- Do not modify the LED lamps. It will be out of guarantee in case it was modified.

6. Dimension (Unit: mm)

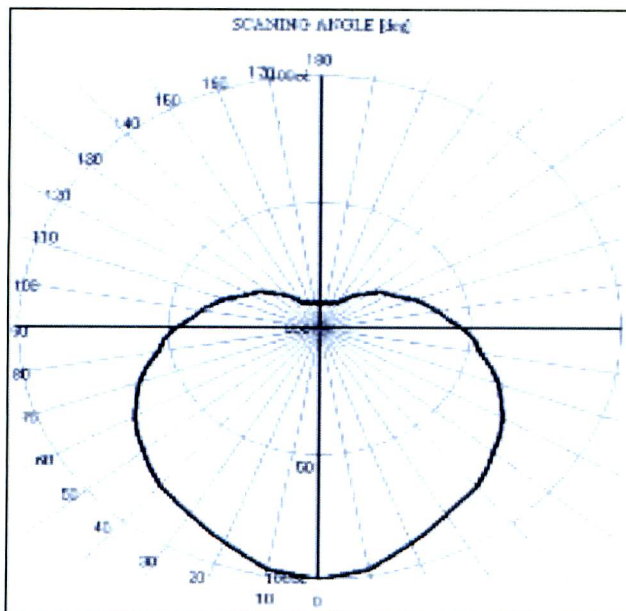


7. Reference value

7.1 Luminous flux 285lm

(evaluated lighting simulator DIALux ver4.6, DIALux is a product by DIAL corp.)

7.2 Beam distribution: half beam angle 175 degree



TENTATIVE

All values specified are tentative at design stage level and may be varied without prior notification.