



20 Watt Interchangeable Plug Series



Interchangeable Clips Sold Separately



Features

- Efficiency Level VI Compliant
- Class B EMI
- Ecodesign ErP Directive 2009/125/EC Level 2 annex 1b Compliant
- No-load Power Saving
- High Efficiency
- Compact Size
- Class II Double Insulated

Applications

- Peripherals
- Gaming Machines
- Point of Sale Equipment
- Network Equipment

Safety Approvals

- UL/cUL 60950-1
- CE
- CB
- SAA+C-TICK+MEPS

Mechanical Characteristics

- Length: 71.7mm (2.82in)
- Width: 50mm (1.97in)
- Height: 33.25mm (1.31in)
- Weight: 120g (4.23oz)

Output Specifications

Model	DC Output Voltage	Load		Regulation		Ripple ¹ P-P(max)	Output Power
		Min.	Max.	Line	Load		
PSAA20R-120L6	12V	0A	1.67A	±5%		120mV	20W
PSAA20R-240L6	24V	0A	0.83A	±5%		240mV	20W
PSAA20R-480L6	48V	0A	0.42A	±5%		480mV	20W

Notes:1- Measured by using a 12 inch twisted pair terminated with 10uF capacitor and a 0.1uF ceramic in parallel after 10 minutes warm up with maximum load

Phihong is not responsible for any error, and reserves the right to make changes without notice. Please visit our website at www.phihong.com for the most up-to-date specifications and contact information.

Input:**AC Input Voltage Rating**

100 to 240V AC

AC Input Voltage Range

90V AC to 264V AC

AC Input Frequency

47 to 63Hz

Input Current

0.5A (RMS) Max. @120VAC

0.25A (RMS) Max. @240VAC

Leakage Current

0.25mA maximum at 264V AC/60Hz

Inrush Current

40A Max. @120VAC

80A Max. @240VAC

(Cold start at ambient 25°C)

Input Power Saving

≤0.075W Max. @230VAC, 50Hz

Output**Efficiency**

DOE Level VI

Hold-up Time

10ms Min. @ full load 115VAC/ 60Hz

Over-Current Protection

Short circuit. Auto Restart.

Short-Circuit Protection

Output can be shorted permanently without damage

Over-Voltage Protection

<23Vpk

Environmental:**Temperature**

Operation 0 to +40°C

Non-operation -20 to +75°C

Humidity 20 to 90%

Emissions

FCC Class B

EN55022 Class B

Immunity

EN61000-4-2 Level 4

EN61000-4-3 Level 2

EN61000-4-4 Level 2

EN61000-4-5 Level 2

EN61000-4-6 Level 2

EN61000-4-8 Level 1

EN61000-4-11

Dielectric Withstand (Hi-pot) Test

Pri to Sec: 3000 Vac or 4242 Vdc , 10 mA

1minute. 3600 Vac or 5090 Vdc , 10 mA

3Second.

DC Output Connector

12V & 24V: 5.5mm x 2.1mm x 9.5mm

48V: 5.5mm x 2.1mm x 10mm

DC Cord Length

1500mm

AC Input clips (sold separately):

RPA – US

RPB – Brazil

RPC – China

RPE – Europe

RPH – Korea

RPI – India

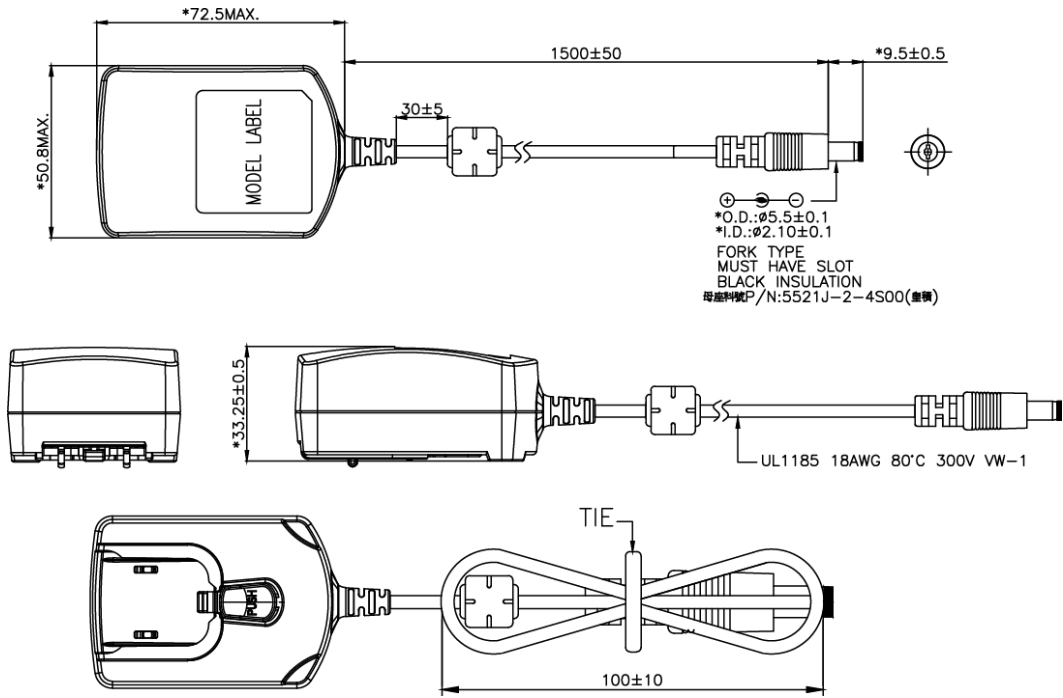
RPK – UK

RPN – Argentina

RPS – Australia

RPX – IEC320 C8

PSAA20R-120L6 & PSAA20R-240L6 Dimension Diagram Unit: mm (inch)



PSAA20R-480L6 Dimension Diagram Unit: mm (inch)

