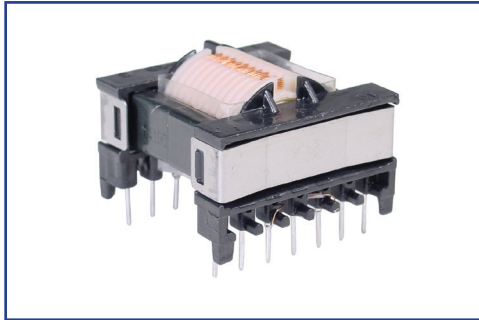


ISOLATED FLYBACK TRANSFORMERS



P3800 SERIES



- Isolated flyback transformers with high output voltage
- Ideal for use in medical applications
- Input: 12-30Vdc, Output: 1KV - 2KV
- Isolation: 4000 Vdc (primary and core to secondary)
- Operating Temperature: -40°C to +85°C
- RoHS Compliant Product
- Custom Design Available

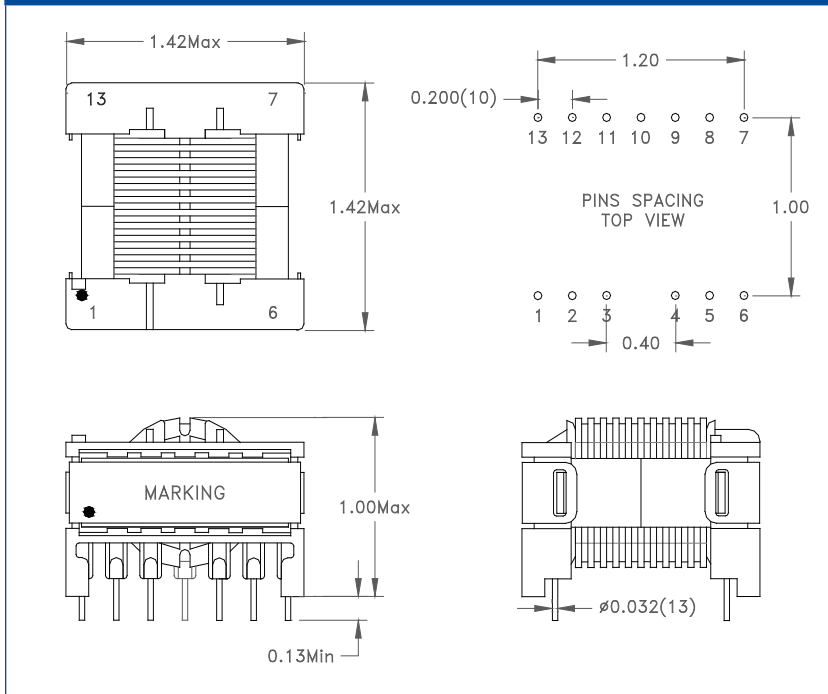
ELECTRICAL PARAMETERS @25°C

Part Number	Power Output (W)	Input Voltage (Vdc)	Switching Frequency (KHz)	Primary OCL (4-3) ($\mu\text{H} \pm 10\%$)	Primary DCR (4-3) (m Ω Max)	Turns Ratio (Pri : Sec) ($\pm 3\%$)	Secondary DCR (8-12) (Ω Max)
P3800-1	50	12	50	6	8	1 : 100	130
P3800-2	70	18	60	8	10	1 : 70	90
P3800-3	80	18	80	5	8	1 : 80	42
P3800-4	100	24	80	8	10	1 : 60	30
P3800-5	150	30	100	6	10	1 : 60	30

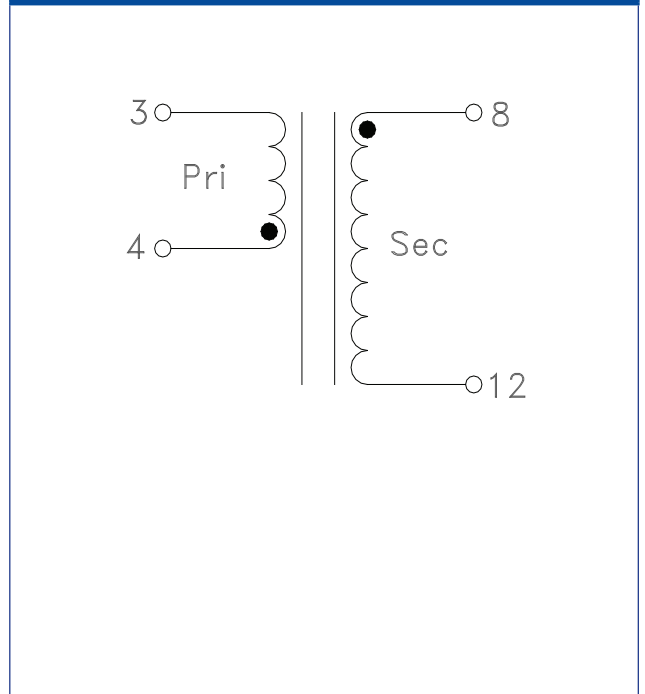
NOTES:

- Primary OCL (4-3) measured at 10KHz, 0.1Vrms
- Hi-pot: 4000Vdc, 0.5mA, 5s (Pri and Core to Sec), 500Vdc, 0.5mA, 5s (Pri to Core)

DIMENSIONS (mm)



SCHEMATIC



Dimensions

Unless otherwise specified, all tolerances are:
 inch: .XX : ± 0.015 .XXX : ± 0.004
 mm: X.X : ± 0.38 X.XX : ± 0.10

Product performance is limited to specified parameters. Data is subject to change without prior notice.

Tel: 310-325-1043
 Fax: 310-325-1044

www.mpsind.com
 sales@mpsind.com