

Customer Information Sheet

DRAWING No.: M40-310XX45R

IF IN DOUBT - ASK

©

NOT TO SCALE

THIRD ANGLE PROJECTION

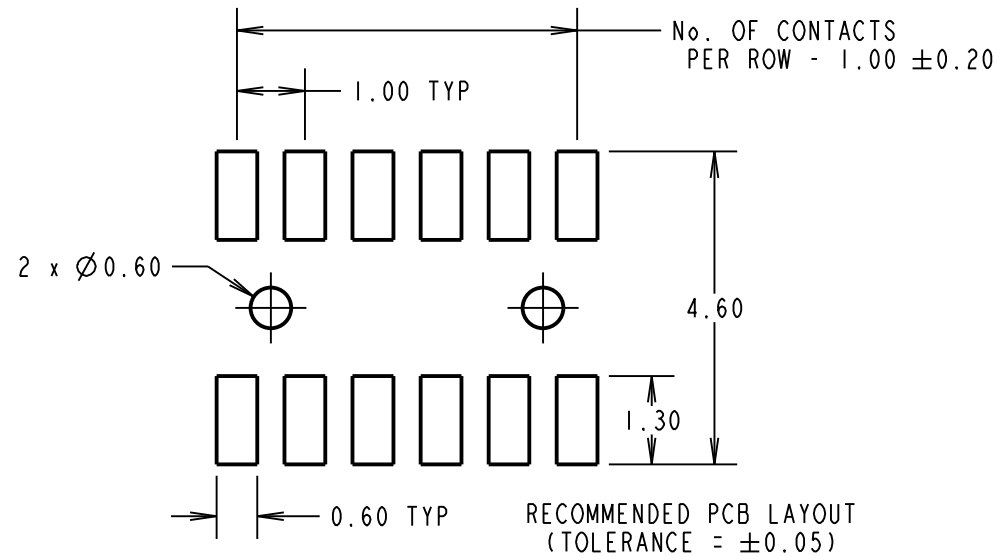
ALL DIMENSIONS IN mm

SPECIFICATIONS:

MATERIAL:
 MOULDING = GLASS FILLED PA9T, UL94V-0, BLACK
 CONTACT = PHOSPHOR BRONZE
FINISH:
 GOLD FLASH OVER NICKEL
ELECTRICAL:
 CURRENT RATING = 1A
 INSULATION RESISTANCE = 5,000 MEGOHMS MIN.
 CONTACT RESISTANCE = 20 MILLIOHMS MAX.
 VOLTAGE PROOF = 1000V AC
MECHANICAL:
 INSERTION FORCE = 1.5N MAX
 WITHDRAWAL FORCE = 0.1N MIN.
 DURABILITY = 300 CYCLES
ENVIRONMENTAL:
 OPERATING TEMPERATURE = -40°C TO +105°C
 FOR COMPLETE MECHANICAL/ELECTRICAL SPECIFICATION, SEE COMPONENT SPECIFICATION C026XX (LATEST ISSUE)

NOTES:

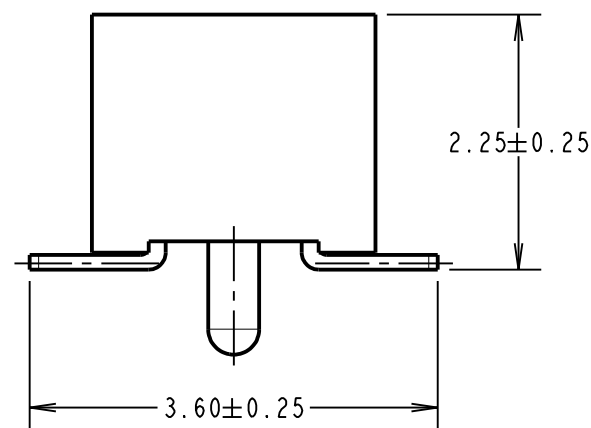
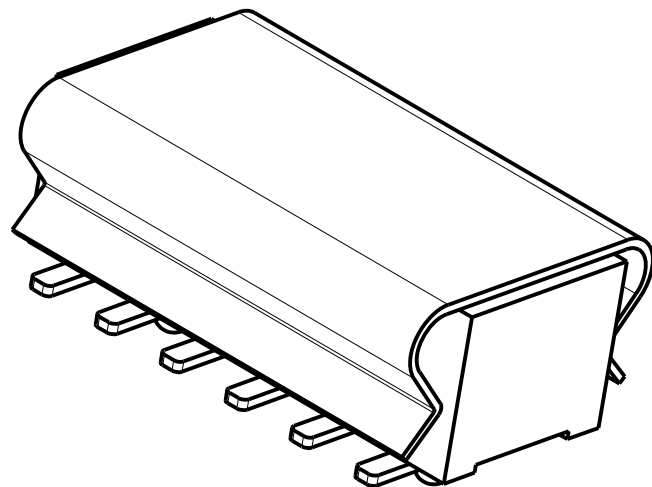
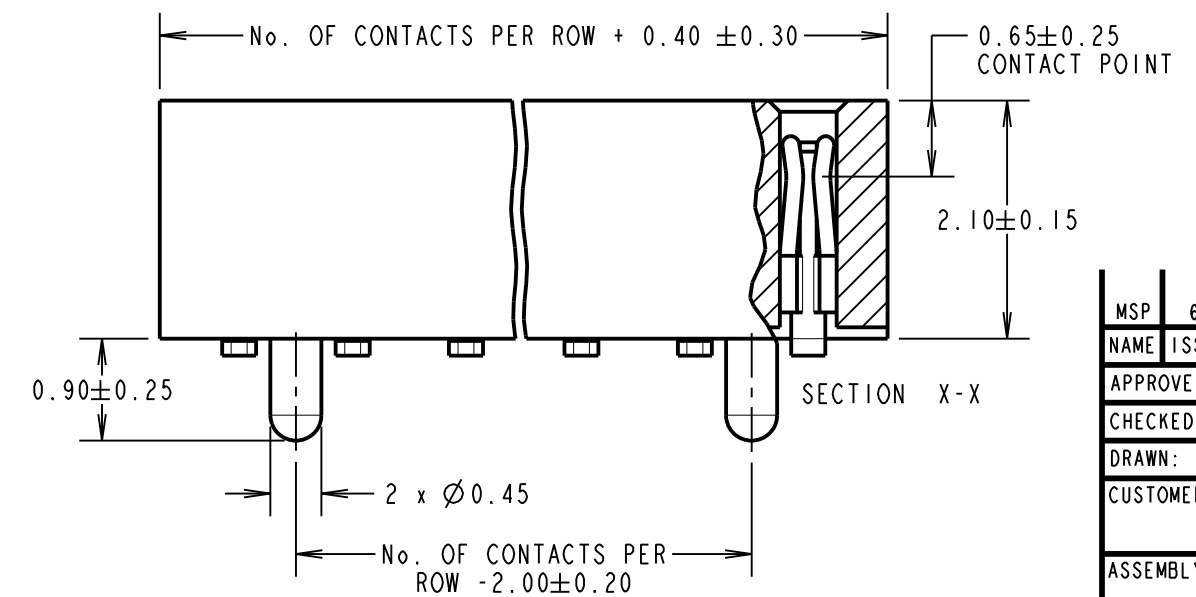
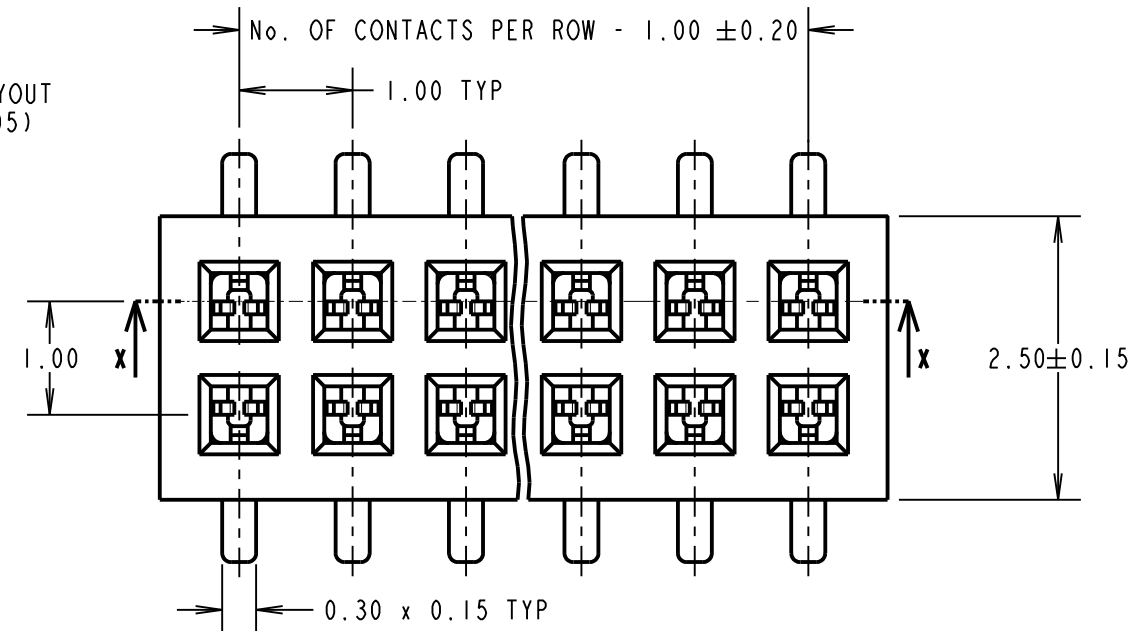
- FOR REELING DETAILS, SEE SHEET 4.
- CAP REMOVED FROM MAIN VIEWS FOR CLARITY, PART COMES FITTED WITH CAP. SEE SHEET 4 FOR CAP DETAILS.



ORDER CODE:

M40-310XX45R

No. OF CONTACTS PER ROW:
 03, 04, 05, 06, 08, 10, 20, 25



MSP	6	14.08.17	20547
NAME	ISS.	DATE	C/NOTE
APPROVED:		M. PERREN	
CHECKED:		S. BENNETT	
DRAWN:		R. ADDE	
CUSTOMER REF.:			
ASSEMBLY DRG:			

HARWIN

www.harwin.com
 technical@harwin.com

THIS DRAWING AND ANY INFORMATION OR DESCRIPTIVE MATTER SET OUT HEREON ARE CONFIDENTIAL AND COPYRIGHT PROPERTY OF THE HARWIN GROUP AND MUST NOT BE DISCLOSED, LOANED, COPIED OR USED FOR MANUFACTURING, TENDERING OR FOR ANY OTHER PURPOSE WITHOUT THEIR WRITTEN PERMISSION.

TOLERANCES
 X. = ±1mm
 X.X = ±0.25mm
 X.XX = ±0.10mm
 X.XXX = ±0.01mm
 ANGLES = ±5°
 UNLESS STATED

MATERIAL:

SEE ABOVE

FINISH: SEE ABOVE

S/AREA:

mm²

TITLE: 1mm PITCH DIL SMT SKT ASSEMBLY (T & R) WITH P & P CAP

DRAWING NUMBER:

M40-310XX45R

SHT
 3 OF 4

Customer Information Sheet

DRAWING No.: M40-310XX45R

SHEET 4 OF 4

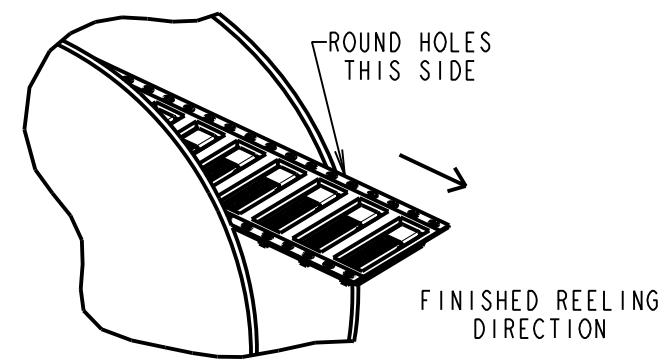
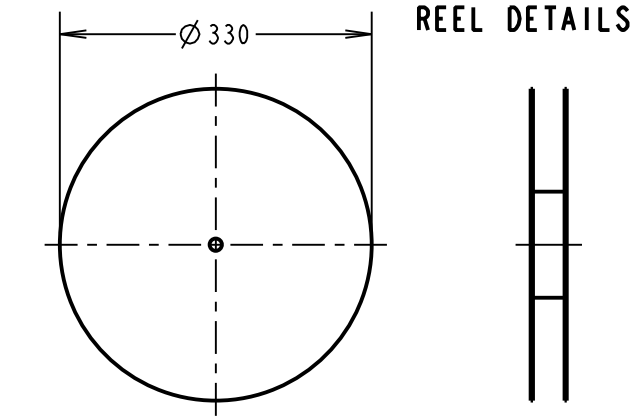
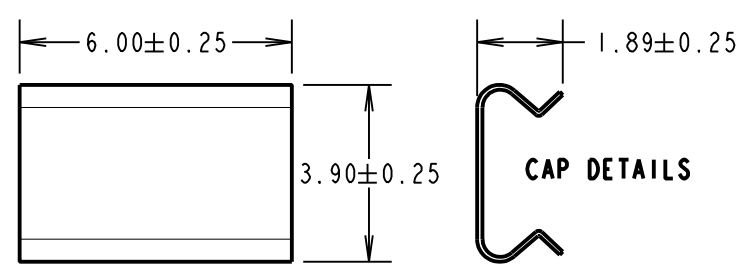
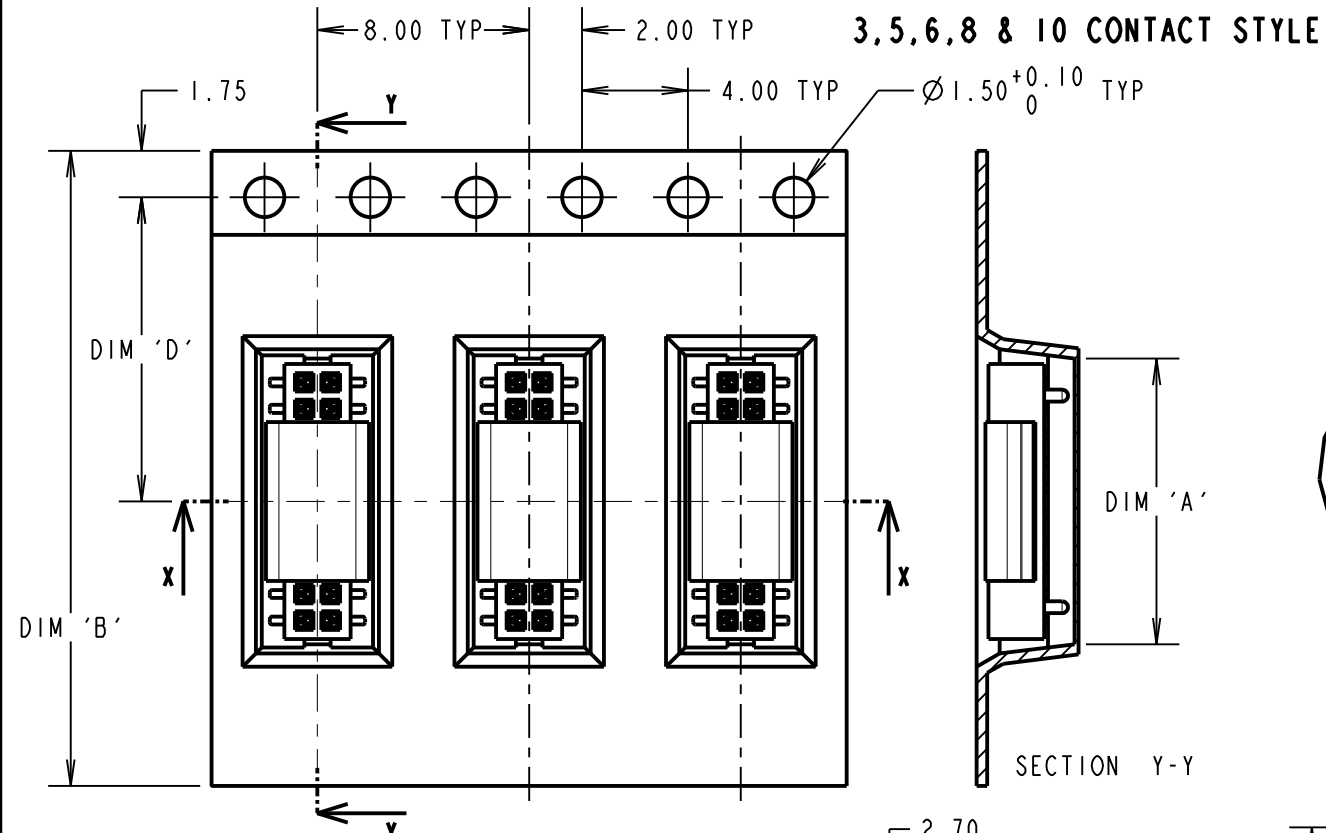
IF IN DOUBT - ASK

©

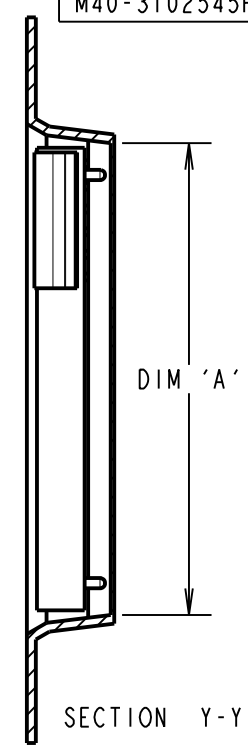
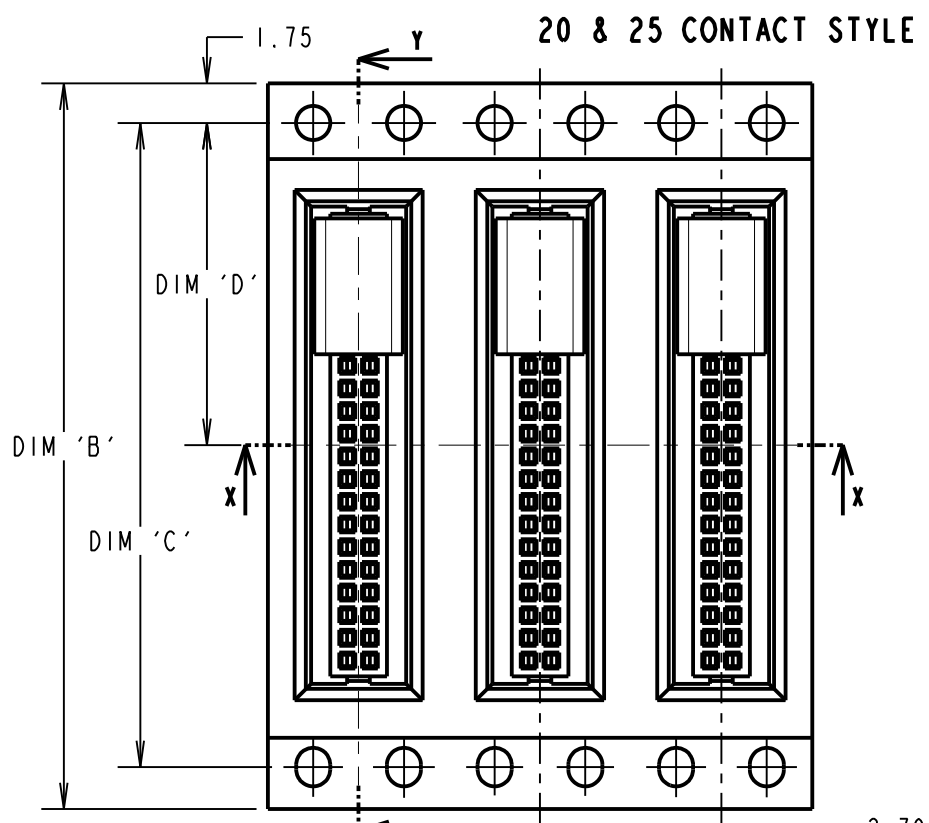
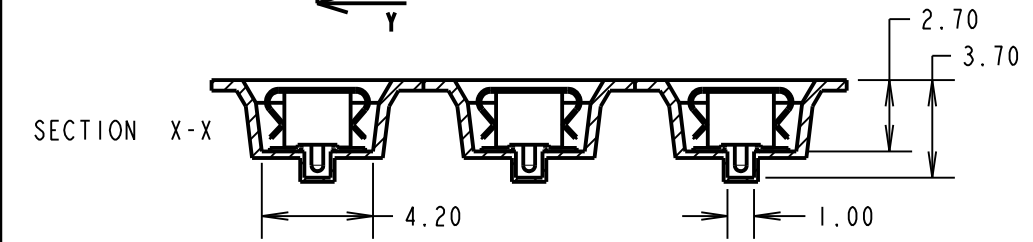
NOT TO SCALE

THIRD ANGLE PROJECTION

ALL DIMENSIONS IN mm

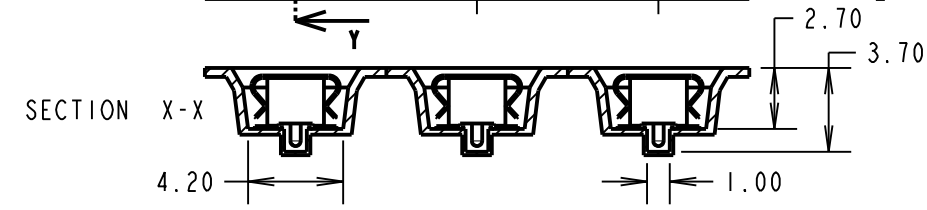
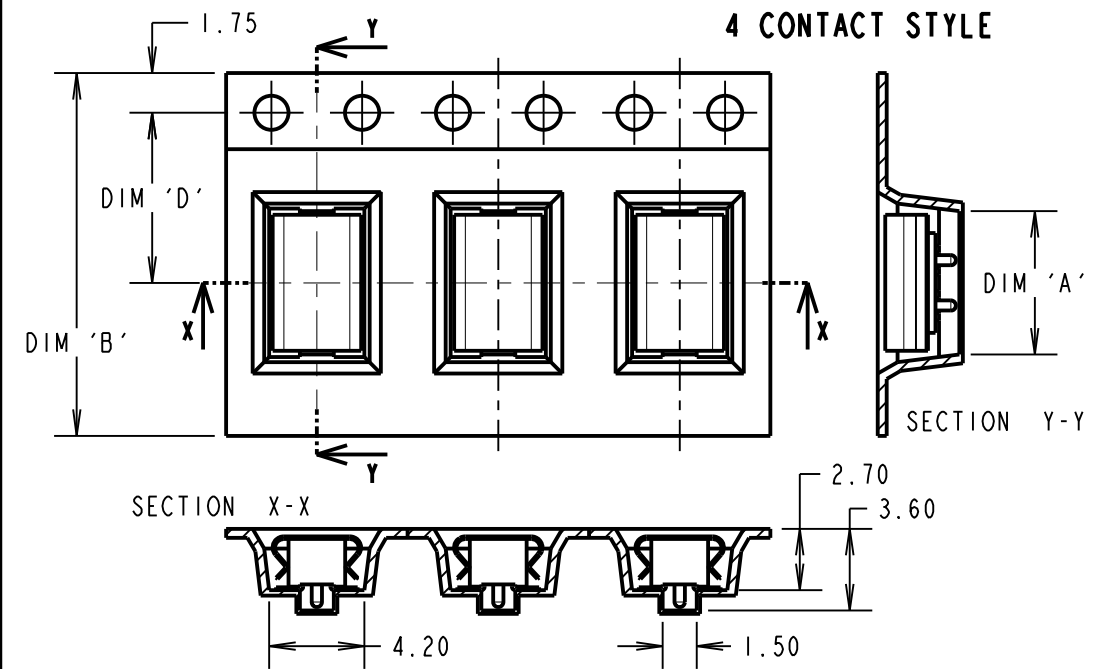


PART NUMBER	DIM 'A'	DIM 'B'	DIM 'C'	DIM 'D'
M40-3100345R	6.30	16.00±0.30	X	7.50±0.15
M40-3100445R	6.30			
M40-3100545R	6.30			
M40-3100645R	6.90	24.00±0.30	X	11.50±0.15
M40-3100845R	8.80			
M40-3101045R	10.80	32.00±0.30	28.40	14.20±0.15
M40-3102045R	20.80			
M40-3102545R	25.80			



ORDER CODE:
M40-310XX45R

No. OF CONTACTS PER ROW:
03, 04, 05, 06, 08, 10, 20, 25



- NOTES:
- FOR CONNECTOR DIMENSIONS, SEE SHEET 3.
 - TAPE & REEL IS IN GENERAL ACCORDANCE WITH EIA-481 (ELECTRONIC INDUSTRIES ASSOCIATION).
 - PICK & PLACE CAP IS THE SAME FOR ALL SIZES.
 - QUANTITY PER REEL FOR ALL SIZES = 2000.
 - TAPE THICKNESS = 0.40mm.

HARWIN

www.harwin.com
technical@harwin.com

THIS DRAWING AND ANY INFORMATION OR DESCRIPTIVE MATTER SET OUT HEREON ARE CONFIDENTIAL AND COPYRIGHT PROPERTY OF THE HARWIN GROUP AND MUST NOT BE REPRODUCED, LOANED, COPIED OR USED FOR MANUFACTURING, TENDERING OR FOR ANY OTHER PURPOSE WITHOUT THEIR WRITTEN PERMISSION.

TOLERANCES
X. = ±1mm
X.X = ±0.25mm
X.XX = ±0.10mm
X.XXX = ±0.01mm
ANGLES = ±5°
UNLESS STATED

MATERIAL:
SEE SHEET 3
FINISH: SEE SHEET 3
S/AREA: mm²

TITLE: 1mm PITCH DIL SMT SKT ASSEMBLY (T & R) WITH P & P CAP

DRAWING NUMBER: **M40-310XX45R**

SHT 4 OF 4

MSP	6	14.08.17	20547
NAME	ISS.	DATE	C/NOTE
APPROVED:			
CHECKED:			
DRAWN: R.ADDE			
CUSTOMER REF.:			
ASSEMBLY DRG:			