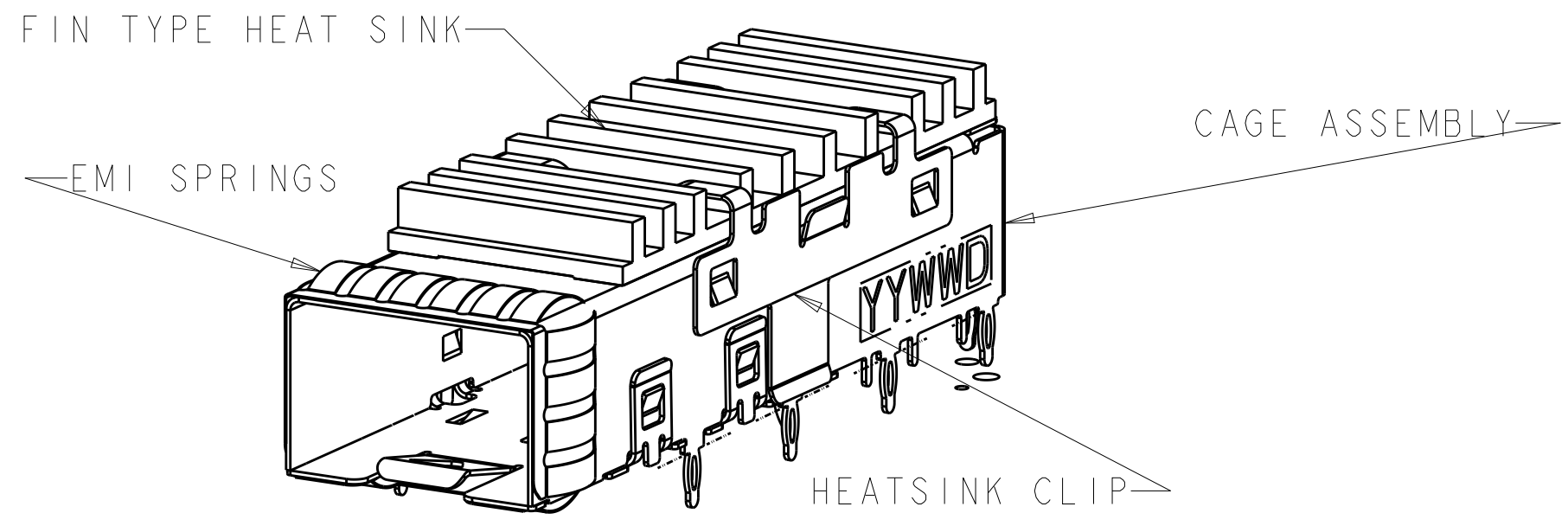
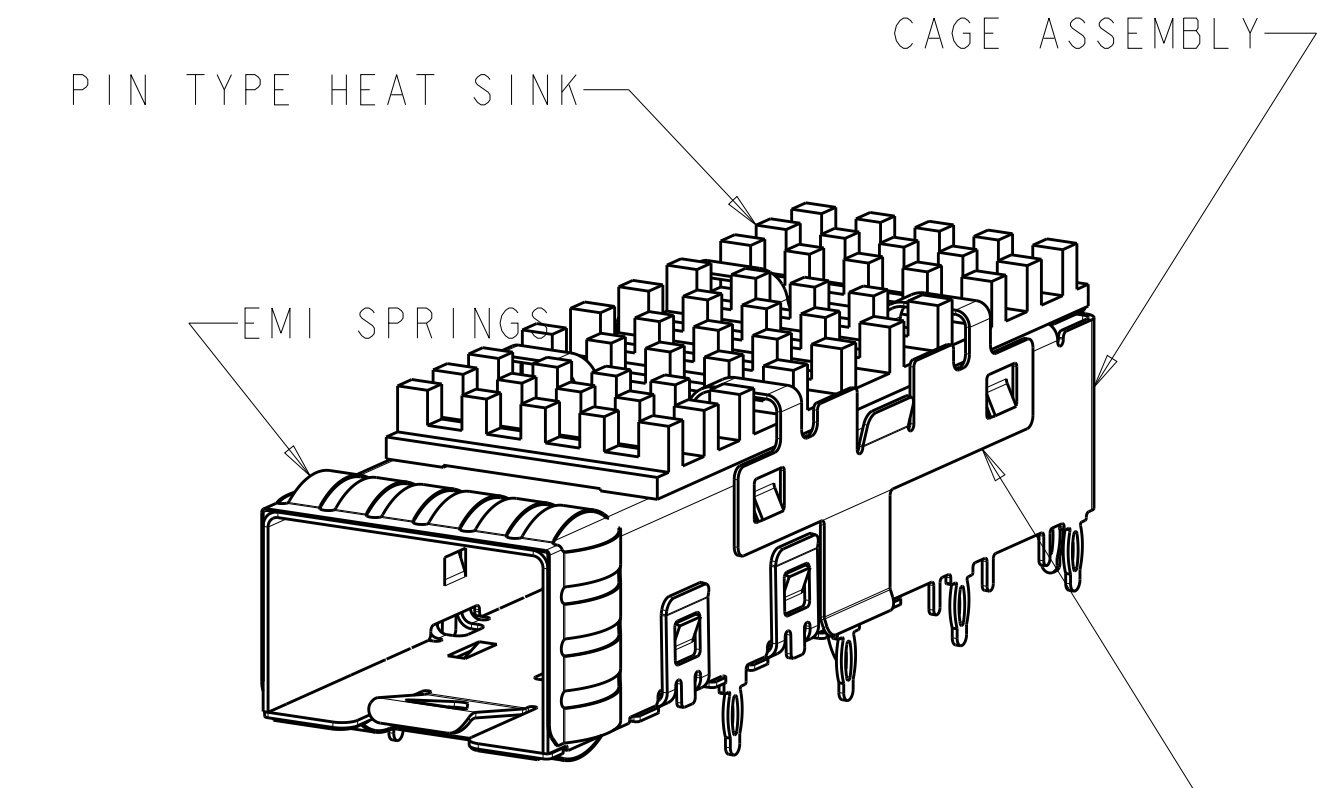
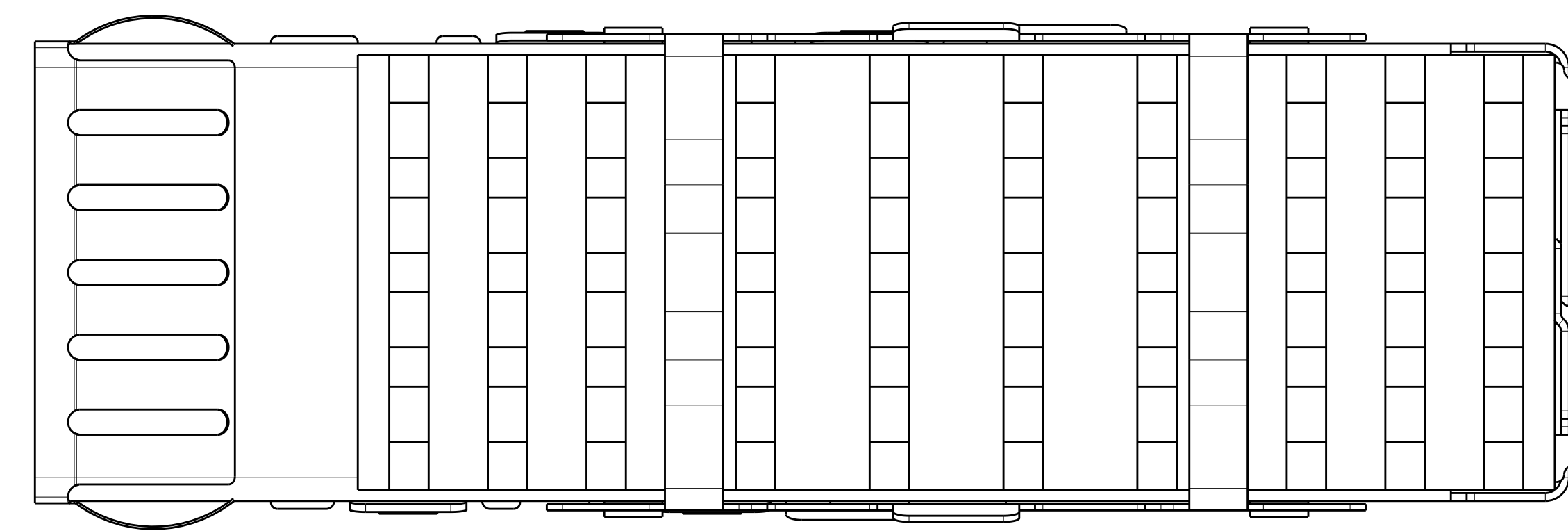


LOC	DIST	REVISIONS					
GP	00	P	LTN	DESCRIPTION	DATE	DWN	APVD
		D		REVISED PER ECO-10-004036	26FEB2010	CJV	MRS
		E		REVISED PER ECO-11-019224	09JAN2012	TX	AC
		F		REVISED PER ECO-12-021462	10DEC2012	TX	AC
		F1		REVISED PER ECO-13-014600	11OCT2013	PP	SH

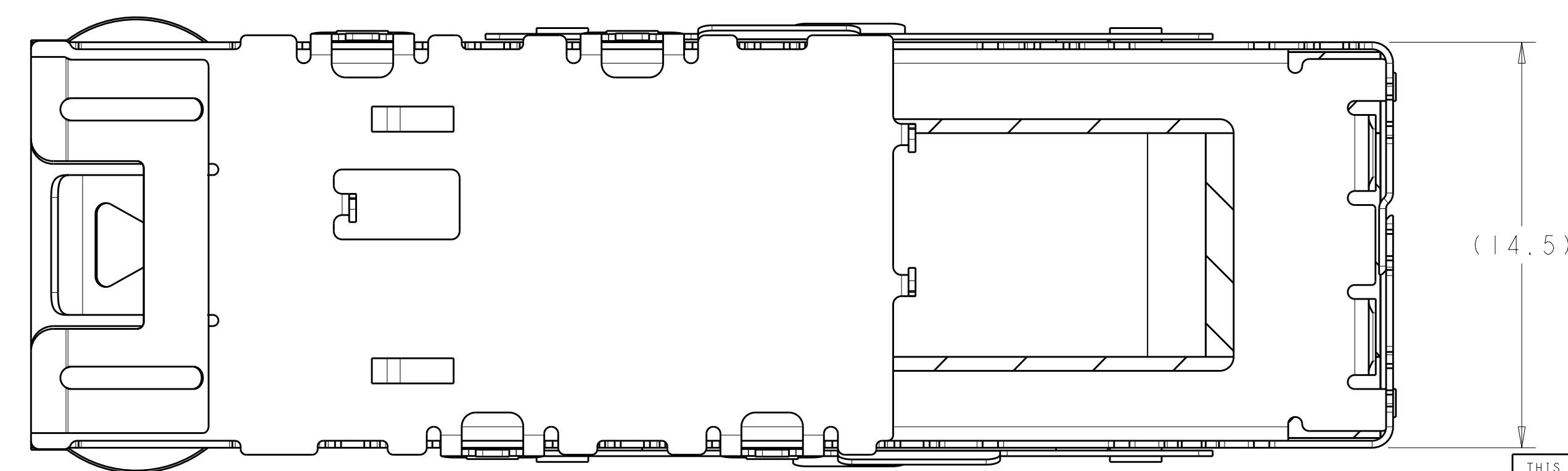
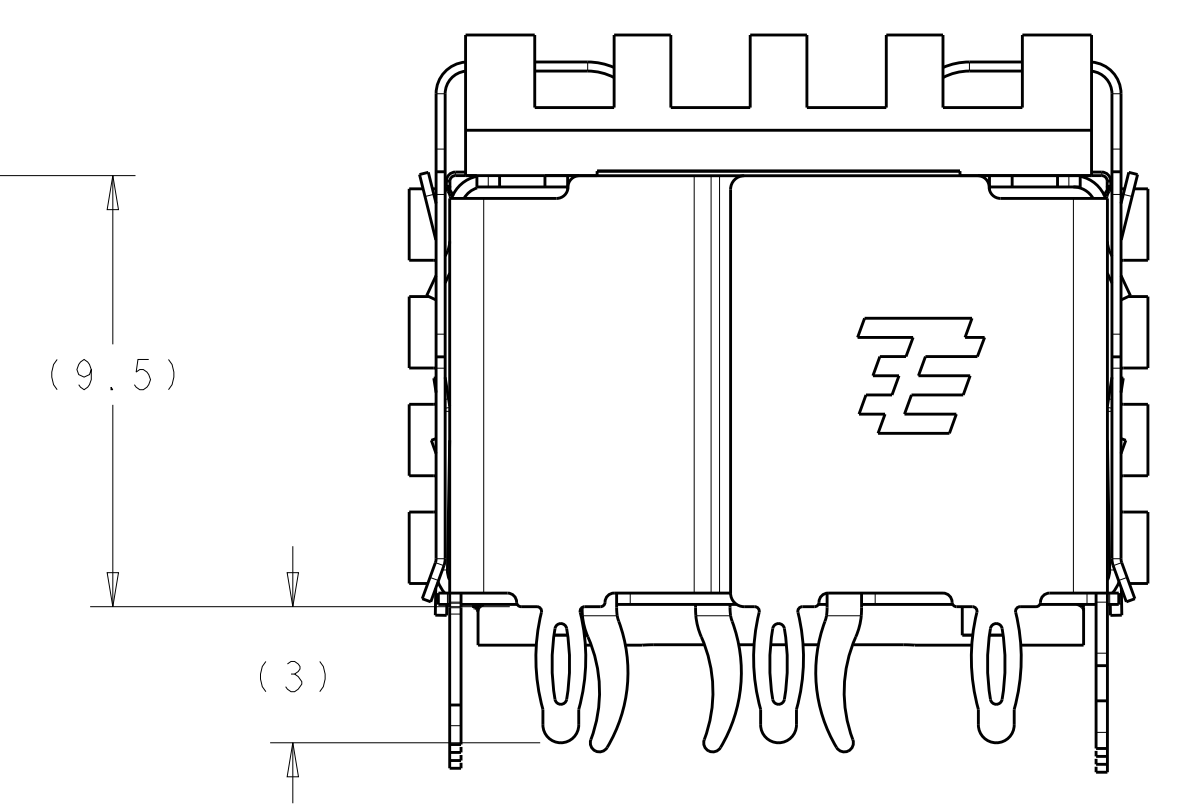
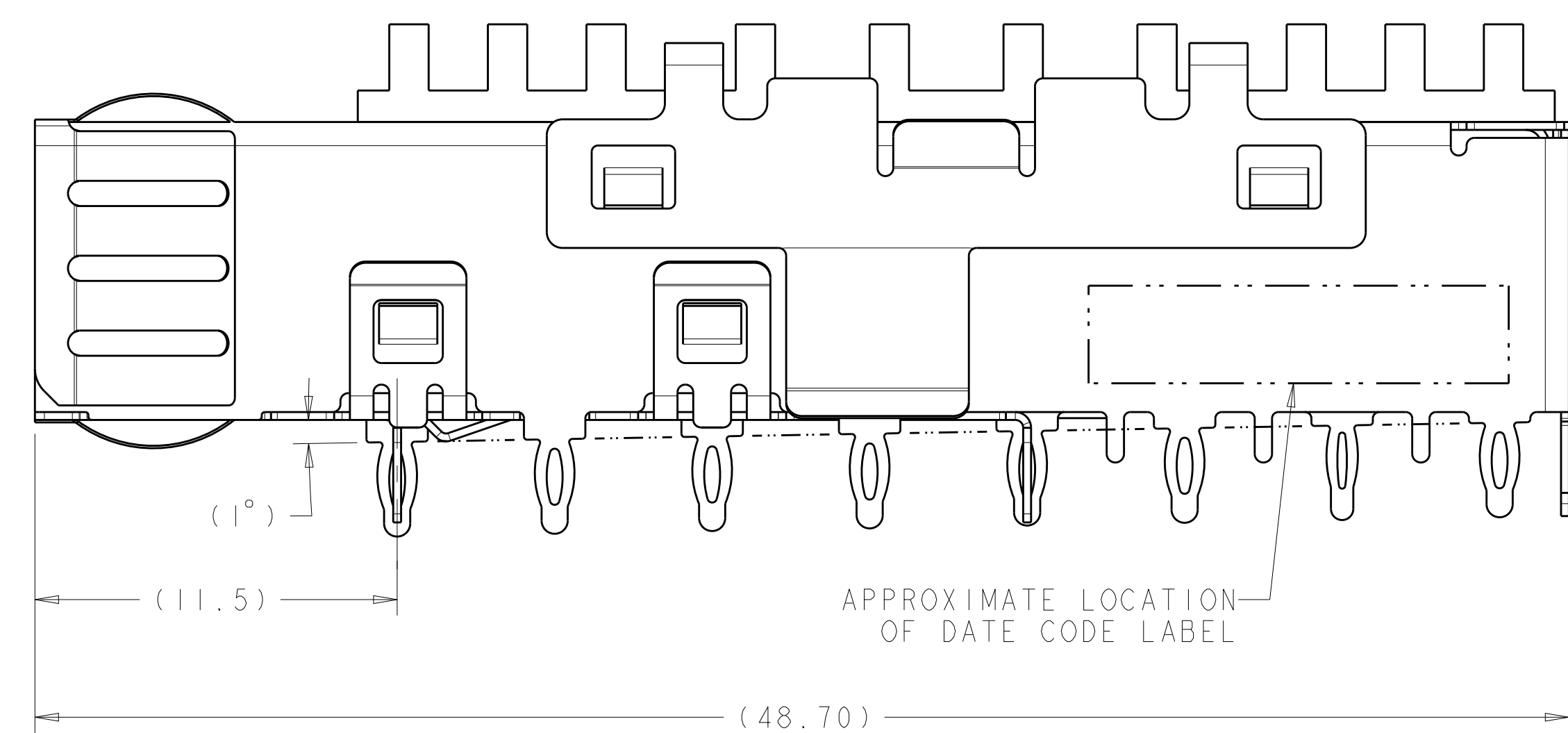
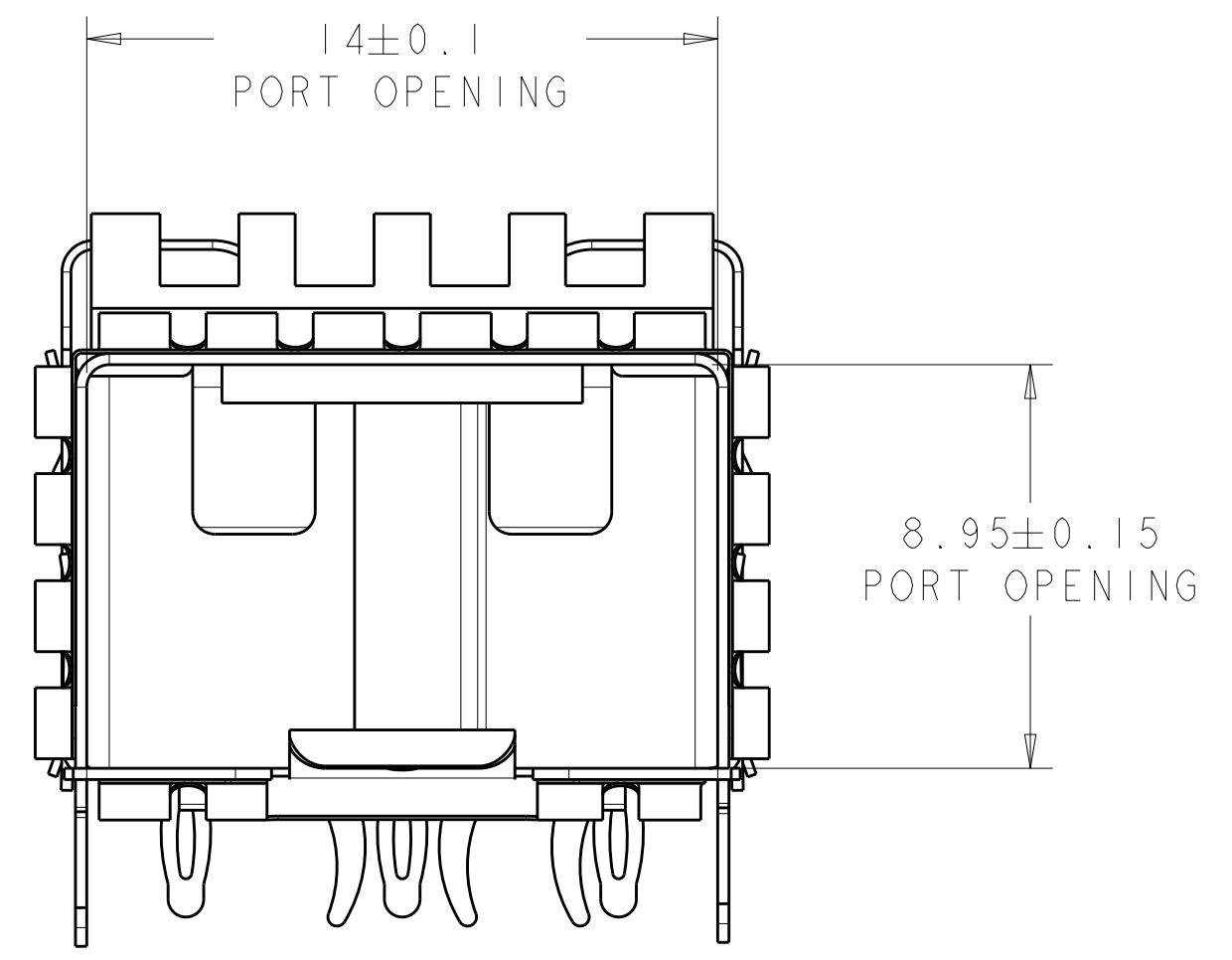
- 1 MATERIAL:  
 CAGE ASSEMBLY - NICKEL-SILVER ALLOY.  
 EMI SPRINGS - COPPER ALLOY.  
 HEATSINK - ALUMINUM.  
 HEATSINK CLIP - STAINLESS STEEL.
- 2 FINISH:  
 HEATSINK - ELECTROLESS NICKEL.  
 HEATSINK CLIP - PASSIVATE.  
 EMI SPRINGS - 0.8um MIN TIN OVER 0.8um MIN NICKEL  
 NON PLATED EDGES PERMISSIBLE.
- 3. MATES WITH SFP MSA COMPLIANT TRANSCEIVERS.
- 4 PADS AND VIAS CHASSIS GROUND.
- 5 DATUMS AND BASIC DIMENSIONS ESTABLISHED BY CUSTOMER.
- 6. MINIMUM PC BOARD THICKNESS:  
 SINGLE SIDED = 1.50mm
- 7 REFERENCE APPLICATION SPEC. 114-13120, HOLE A, FOR  
 RECOMMENDED DRILL HOLE DIAMETER AND PLATING  
 THICKNESS.



2007277-2  
 SCALE 3:1



2007277-1  
 SCALE 3:1



- 8 REFERENCE APPLICATION SPEC. 114-13120, HOLE C, FOR  
 RECOMMENDED DRILL HOLE DIAMETER AND PLATING  
 THICKNESS.
- 9 DIMENSIONS APPLIES PRIOR TO INSERTION OF SFP MODULE.
- 10. CAGE ASSEMBLY, HEATSINK CLIP AND HEATSINK SHIPPED  
 ASSEMBLED.
- 11. NOTE DELETED
- 12 REFERENCE APPLICATION SPEC. 114-13120, HOLE B, FOR  
 RECOMMENDED DRILL HOLE DIAMETER AND PLATING  
 THICKNESS.

FIN TYPE HEAT SINK	2007277-2
PIN TYPE HEAT SINK	2007277-1
HEAT SINK	PART NUMBER

THIS DRAWING IS A CONTROLLED DOCUMENT.

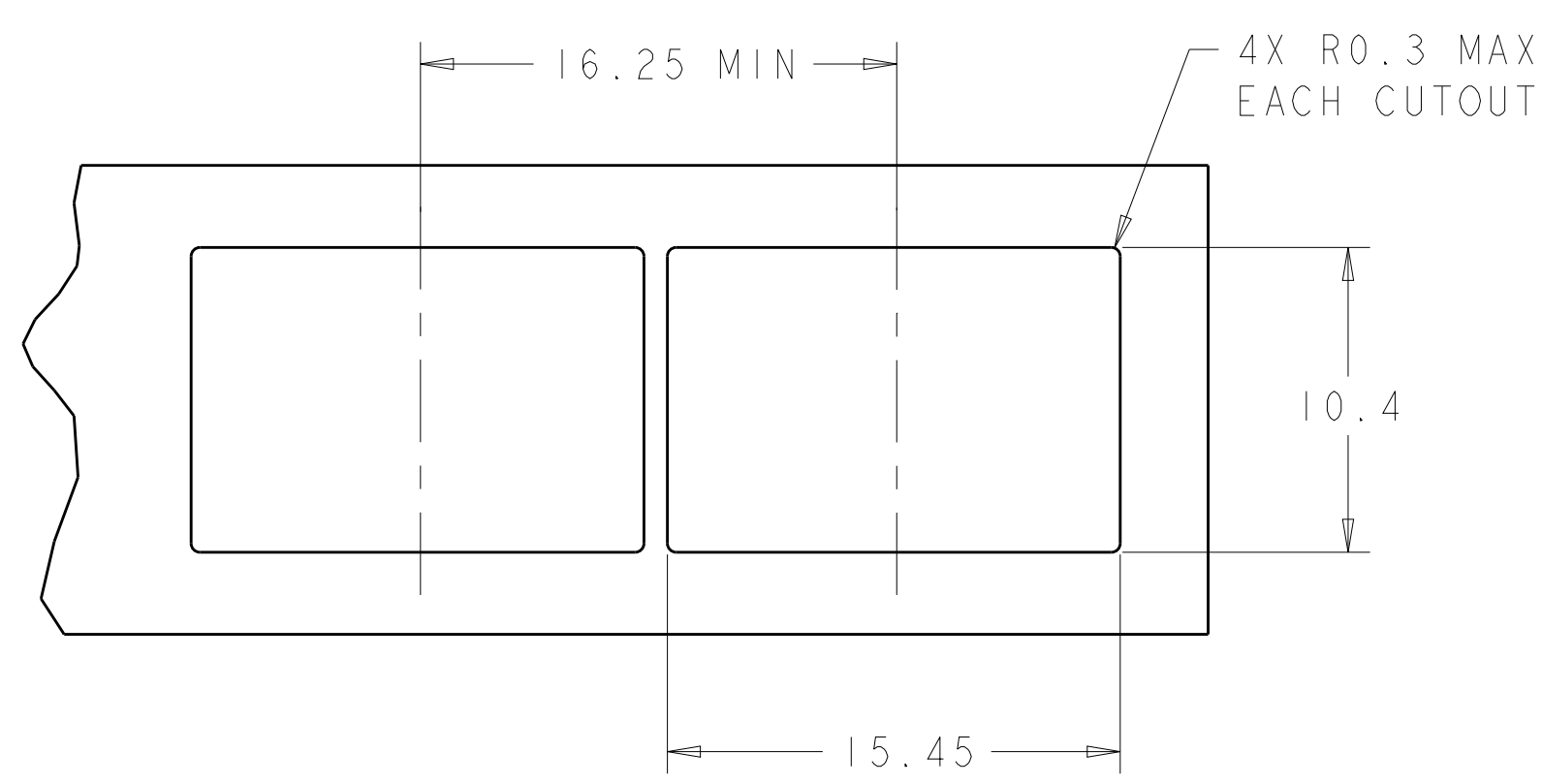
DIMENSIONS:	TOLERANCES UNLESS OTHERWISE SPECIFIED:	DWN M. SCHMITT 6AUG2007	CHK M. SCHMITT 6AUG2007
mm	0 PLC ±0.1 1 PLC ±0.1 2 PLC ±0.1 3 PLC ±0.05 4 PLC ±0.05 ANGLES ±0.05	APVD B. WERTZ 6AUG2007	NAME
MATERIAL	FINISH	PRODUCT SPEC 108-2364	APPLICATION SPEC 114-13120
		WEIGHT	SIZE CAGE CODE DRAWING NO RESTRICTED TO
		Customer Drawing	A100779C=2007277

**STE** TE Connectivity

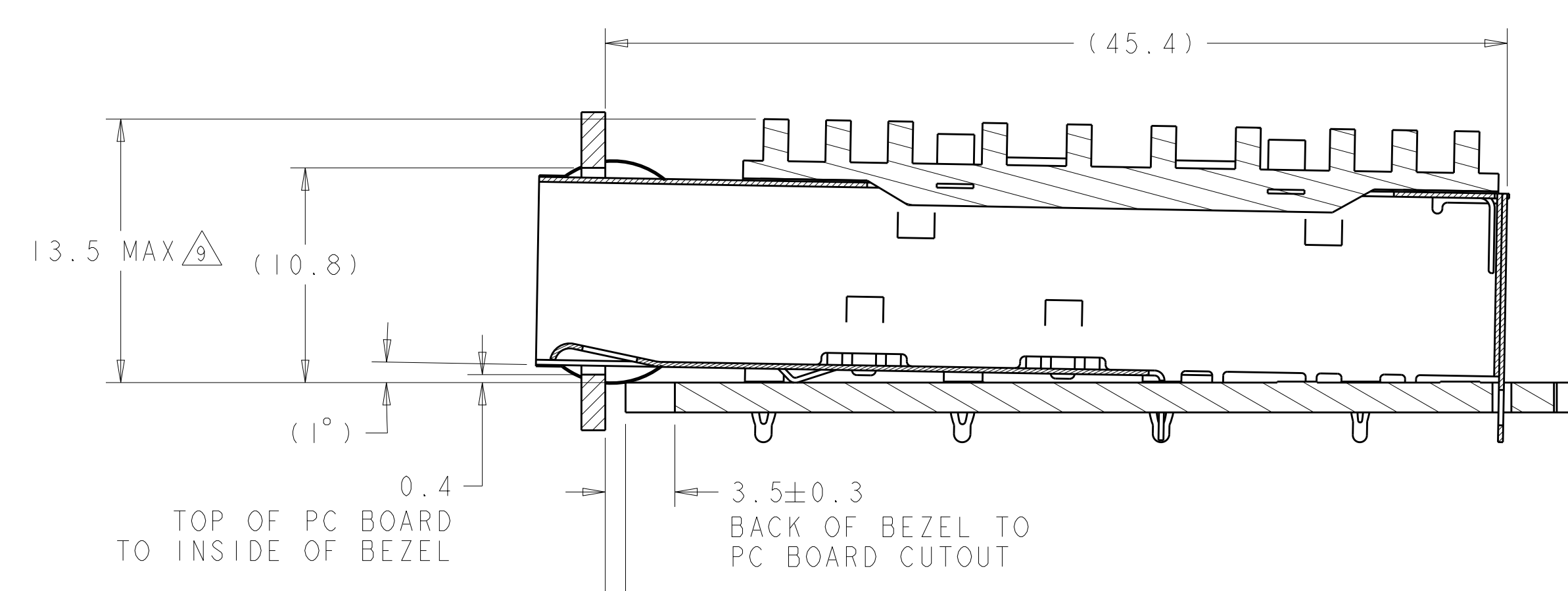
SFP+ 1X1 CAGE ASSEMBLY  
 W/ HEATSINK, PCI, PRESS-FIT  
 EXTERNAL EMI SPRING

SCALE 6:1 SHEET 1 OF 2 REV F1

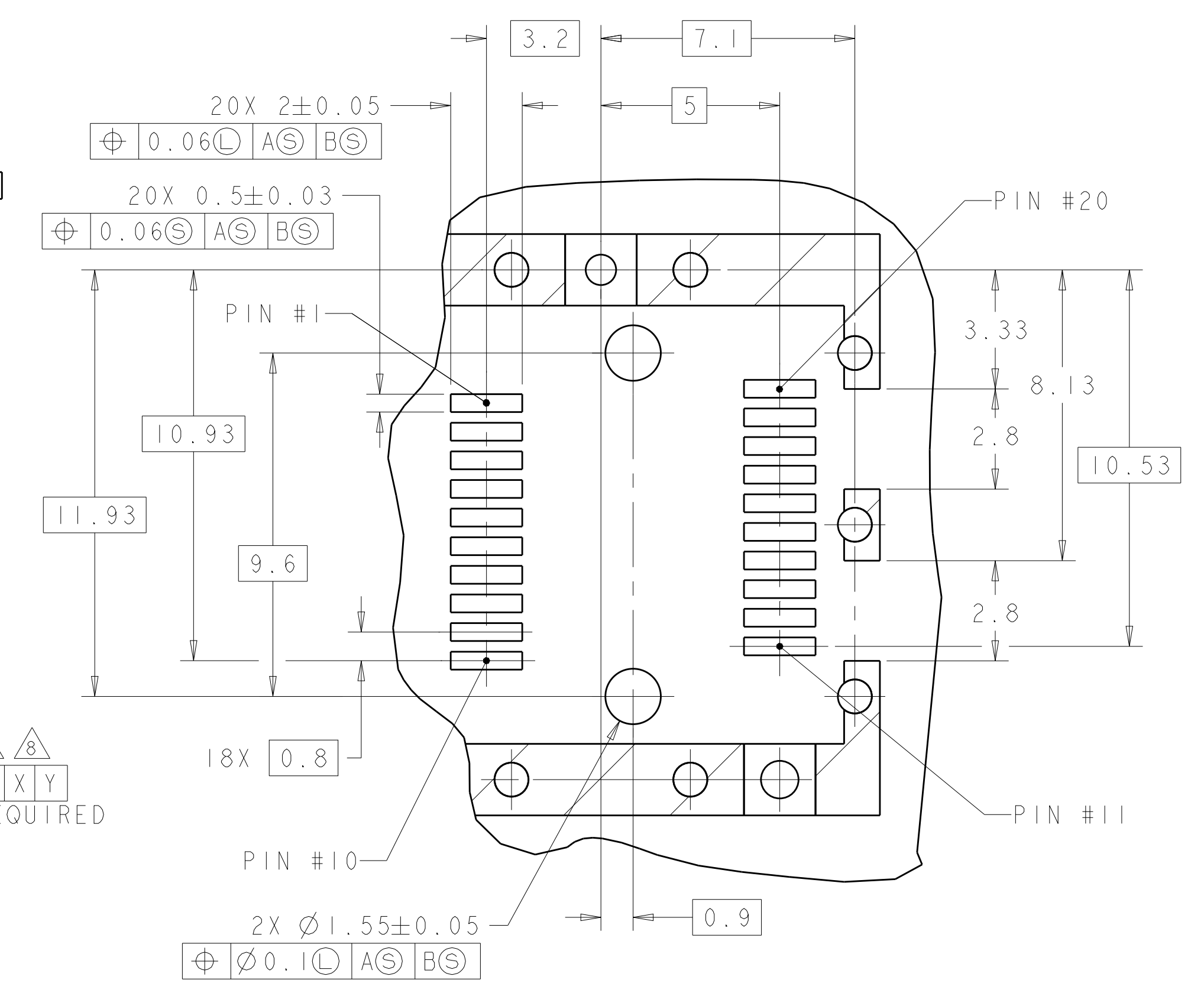
LOC	DIST	REV	DATE	BY	APPV
GP	00				



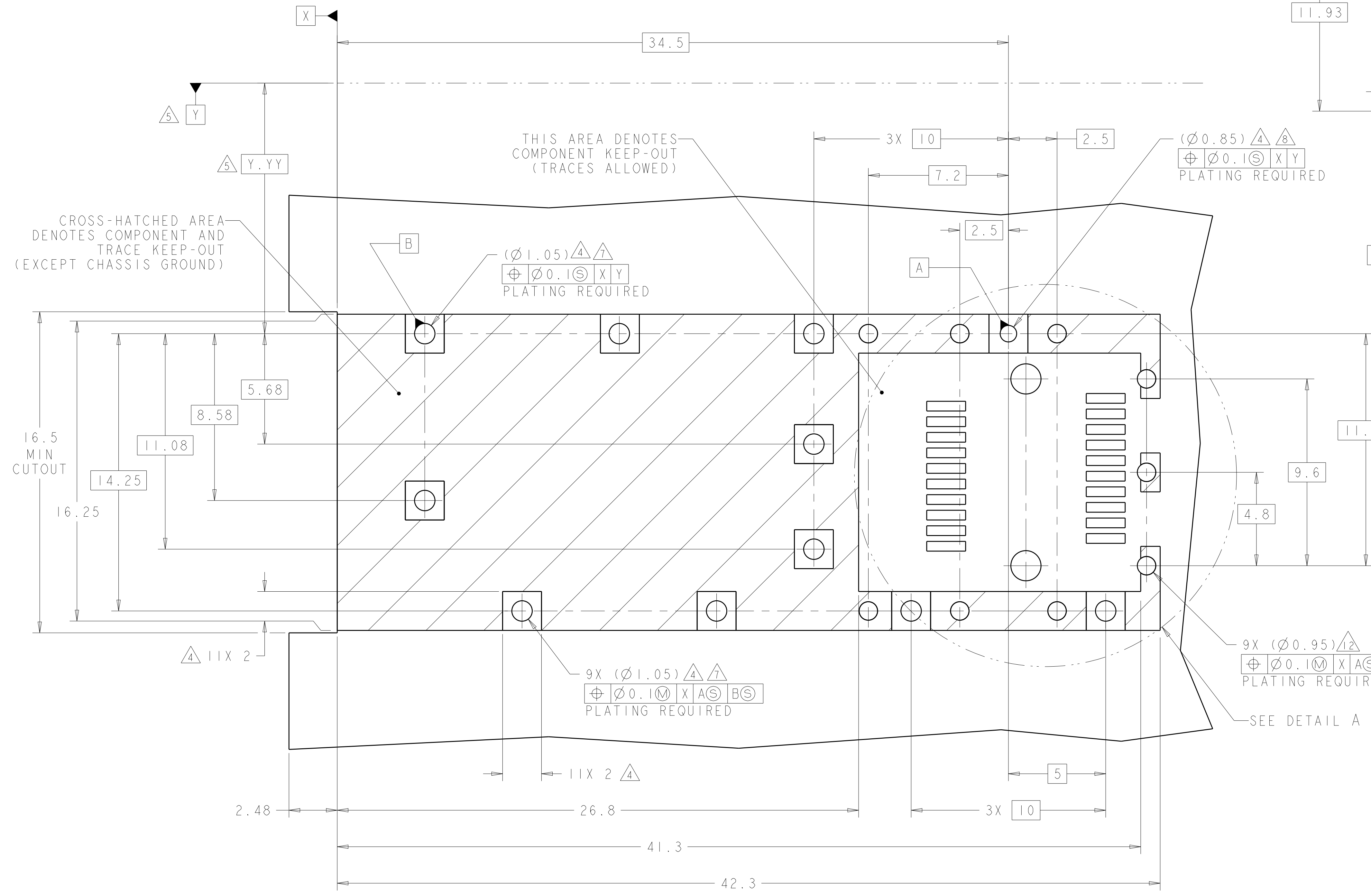
RECOMMENDED BEZEL CUTOUT  
SCALE 4:1



CAGE ASSEMBLY MOUNTED ON RECOMMENDED PC BOARD SHOWN THRU RECOMMENDED BEZEL  
SCALE 4:1



DETAIL A  
SCALE 8:1



RECOMMENDED PCB LAYOUT  
SCALE 8:1

THIS DRAWING IS A CONTROLLED DOCUMENT.		OWN: M. SCHMITT 6AUG2007	TE Connectivity
DIMENSIONS: mm		CHK: M. SCHMITT 6AUG2007	
TOLERANCES UNLESS OTHERWISE SPECIFIED:		APPV: B. WERTZ 6AUG2007	NAME: SFP+ 1XI CAGE ASSEMBLY W/ HEATSINK, PCI, PRESS-FIT EXTERNAL EMI SPRING
0 PLC ±0.1		PRODUCT SPEC: 108-2364	SIZE: A100779
1 PLC ±0.1		APPLICATION SPEC: 114-13120	CAGE CODE: C=2007277
2 PLC ±0.1		WEIGHT: -	RESTRICTED TO: -
3 PLC ±0.05		Customer Drawing	SCALE: 6:1 SHEET: 2 OF 2 REV: F1
4 PLC ±0.05			
ANGLES			