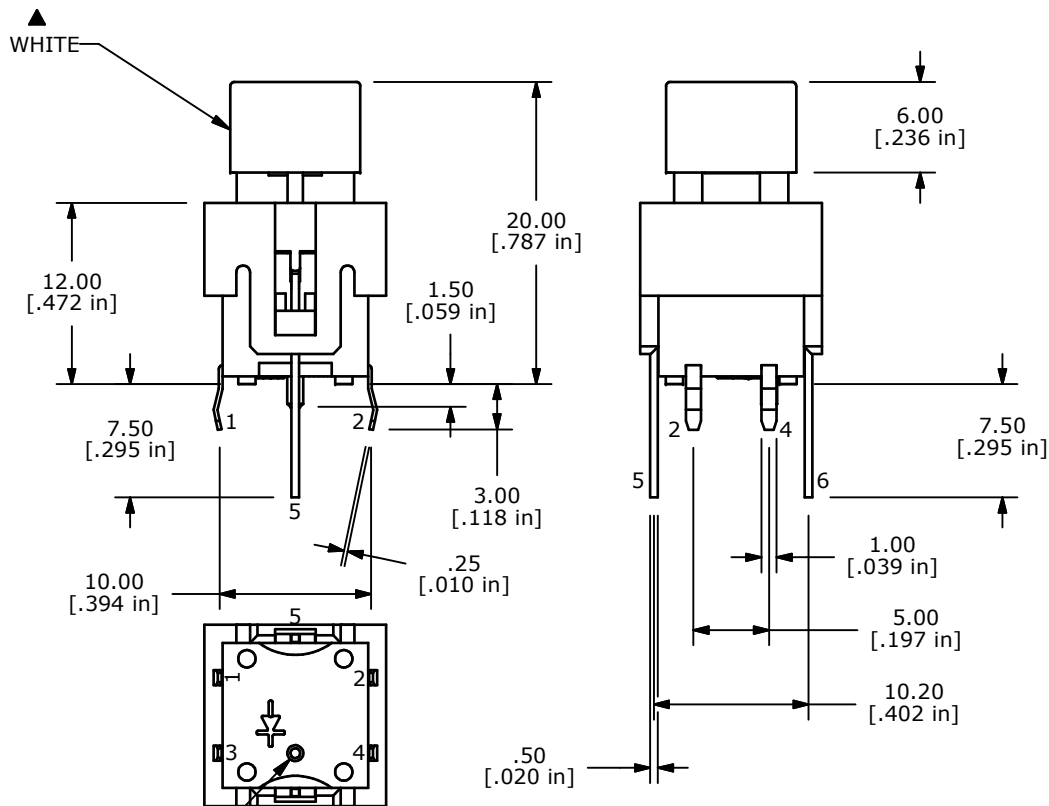


NOTES:

1. ALL DIMENSIONS IN MM [INCH]
2. GENERAL TOLERANCE: X.X=±0.4
X.XX=±0.25
3. RATING: 20VDC @ 1mA
4. CONTACT RESISTANCE: 200Ω MAX.
5. INSULATION RESISTANCE: 100MΩ MIN. @ 100VDC.
6. OPERATING FORCE: 125± 35gf
7. TRAVEL: 1.3 +/- 0.3 mm
8. OPERATING TEMPERATURE: -20°C TO 70°C
9. OPERATING LIFE: 300,000 CYCLES
- ▲ 10. LED: YELLOW
11. ▲ DENOTES CRITICAL PARAMETERS
12. 2002/95/EC (ROHS) COMPLIANT
13. CONTACT MATR'L: GOLD FLASH OVER NICKEL



| LED SPECS | UNITS | YELLOW |
|---------------------------|-------|------------------|
| FORWARD CURRENT | mA | 20 |
| FORWARD VOLTAGE @20mA | VDC | 1.6 MIN 2.5 MAX. |
| LUMINOUS INTENSITY @ 20mA | mcd | 150 TYP. |

| REV | PCR NO | DESCRIPTION | DATE | BY |
|-----|--------|-----------------|---------|-----|
| B | 21525 | CORRECT NOTE 10 | 7/25/14 | EBP |
| A | 21480 | INITIAL RELEASE | 6/16/14 | EBP |

| | | | | |
|---------------------|-----------|-----|---------|-----|
| E-SWITCH® | | | | |
| TITLE LP15S1WHTYELN | | | | |
| SCALE | DATE | DR | DWG | REV |
| | 6/16/2014 | EBP | B270008 | B |

THE INFORMATION CONTAINED IN THIS DOCUMENT IS PROPRIETARY TO E-SWITCH AND IS NOT TO BE COPIED OR TRANSFERRED