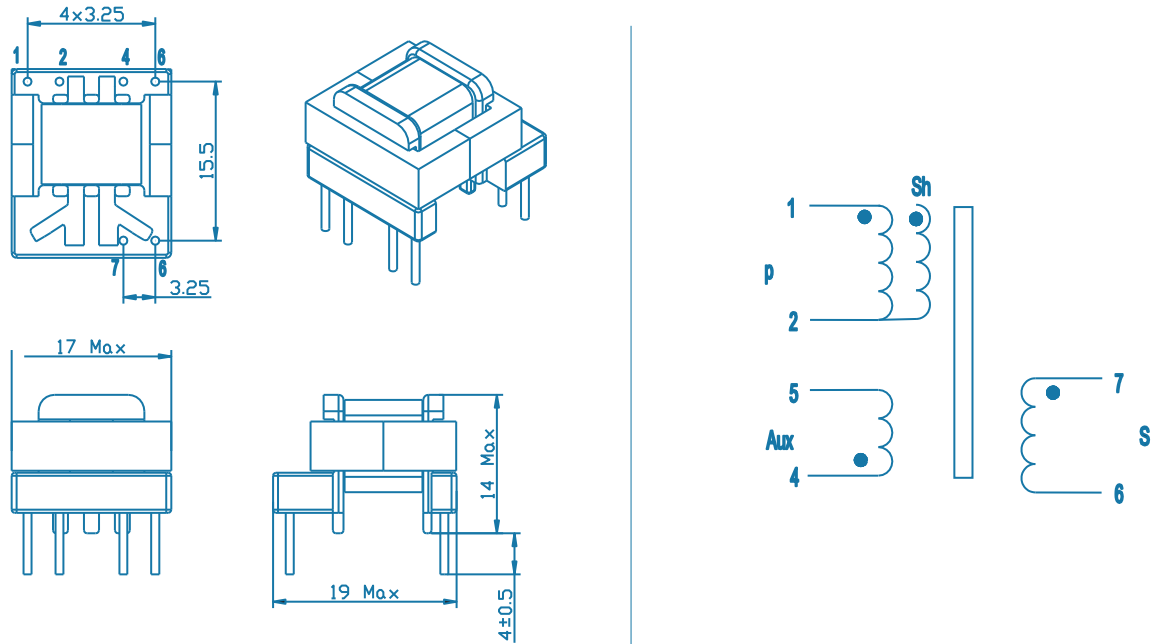


Type	FLYBACK	Size	E16	Output	6 V	MYRRA P/N	74004
------	----------------	------	------------	--------	------------	-----------	--------------

Product designation

FLYBACK TRANSFORMER - 6 V - 1.7 W

MECHANICAL CHARACTERISTICS - PINOUT



Pins 3, 8, 9 and 10 removed
PCB recommended drilling diameter : 1.1 mm

ELECTRICAL CHARACTERISTICS

MYRRA P/N	Maximum output power	Windings					
			Pins	Turns	Voltage	Maximum current	Inductance (+/- 10 %)
74004	1.7 W	P	1 - 2	108	85 ~ 265 V _{rms}	0.28 A _{pk}	2.7 mH
		Aux.	5 - 4	25	22.0 V _{DC}	0.1 A _{DC}	
		S	7 - 6	8	6.0 V _{DC}	0.5 A _{pk}	
		Shield	NC - 2	8			

REMARKS

RoHS compliant

UL94 V-0 materials

Class B

Ambient temperature: 50 °C max.

P / S :

Creepage distances ≥ 6.0 mm

4.0 kV dielectric test

Construction conforms to IEC60950, IEC60335 and IEC61558-2-16 for reinforced isolation