

# 700DNC40-12-xG DC/DC CONVERTER



The Bel Power Solutions **700DNC40-12-xG** is a 4 kW DC/DC Converter that creates DC voltages in hybrid and electric vehicles necessary to power low voltage accessories.

Liquid or convection cooled DC/DC converter operates at input voltages from 400 to 800 VDC and power range up to 4000 W/3300 W (liquid/convection cooled model).

## Key Features & Benefits

- Very high efficiency up to 93%
- Input voltage range: 400-800 VDC
- Up to 4 kW power
- Full galvanic isolation between input and output
- CAN bus serial interface
- E-MARK E12\*10R00-10R05\*13669
- Adjustable output voltage
- Over temperature, output overvoltage and overcurrent protection, input and output reverse polarity protection
- Liquid or convection cooled models available
- Protection degree IP65 and IP67

**North America**  
+1.866.513.2839

**Asia-Pacific**  
+86.755.29885888

**Europe, Middle East**  
+353 61 225 977

# 700DNC40-12-xG

## Model Selection

MODEL	DESCRIPTION
700DNC40-12-8G	Liquid cooled model
700DNC40-12-CG	Convection cooled model
700DNC40-CON-KIT-8G	Mating connectors kit – Signal connector housing and pins, HV connector assembled with 3 m cable
700DNC40-CON-KIT-9G	Mating connectors kit - housing and pins

## TECHNICAL DATA

### Input

PARAMETER	DESCRIPTION / CONDITION	MIN	NOM	MAX	UNIT
Input Voltage		400	700	800	VDC
Input Current				11	ADC
Efficiency	@ Vin = 700 VDC, Vo = 14.4 V, I <sub>nom</sub> = 229 A	92			%
Input Line Interruption	Converter shutdown			390	VDC
Input Capacitance			35		μF
Inrush Current	External pre-charging circuit required				

### Output

PARAMETER	DESCRIPTION / CONDITION	MIN	NOM	MAX	UNIT
Output Voltage	Vo to be trimmed via CAN BUS, 10 bit resolution	9	14.4	16	VDC
Output Current	@ 14.4 VDC Liquid cooled model Convection cooled model		278 229		ADC
Output Power	Liquid cooled model Convection cooled model			4000 3300	W
Line Regulation	V <sub>inmin</sub> - V <sub>inmax</sub> , @ 139 A, T <sub>coolant</sub> = 70°C	- 0.1		+ 0.1	VDC
Output Voltage Set Point	@ 139 A, T <sub>coolant</sub> = 25°C	14.35	14.4	14.45	VDC
Thermal Drift		-0.05		+0.05	%/°C
Periodic and Random Deviation	@ 14.4 VDC / Nominal load (Differential Mode 20 MHz) CAN high / low (Differential Mode 20 MHz)			280 * 300 *	mVp-p
Transient Response	Load step 1: 10 to 50 % and back Load step 2: 50 to 100 % and back Voltage over/under shoot: Response time within 1 % of VoSET:	-1000		+1000 1000	mV μs
Turn-on Overshoot	V <sub>onom</sub> , <100 ms			5	%
Redundant Parallel Operation	Up to 4 converters operating in parallel			16	kW
Remote Sense	Cable Drop (V) @ Maximum Load			0.5	V
Turn-On Delay	Rise time (Cext = 0 μF) Power-on-delay (From applying DC input voltage to Vo = 90 %) Power-on-time from PS_WAKE UP (From PS_WAKE UP ON to Vo = 90% of nom)			200 1 3	ms s s
Turn-Off Timing	PS_WAKEUP delay; (monotonic Vo fall)	0		100	ms
Capacitive Load	@ 14.4 VDC		0	10000	μF

\* With external capacitors 47μF (Electrolytic cap) & 1μF (X7R Ceramic cap) connected to measuring point.

# 700DNC40-12-xG

## Protection

PARAMETER	DESCRIPTION / CONDITION	MIN	NOM	MAX	UNIT
Output Over-Current Protection	Constant current Liquid cooled model Convection cooled model		285 235		A
Output Over-Voltage Protection	Latch type, max. OV duration 1 ms	17		18	V
Output Under-Voltage Protection	Max. UV duration 1 s, than hiccup	6		8	V
Over-Temperature Protection	Converter shutdown Liquid cooled model Convection cooled model	80 50			°C
Input and Output Reverse Polarity Protection	Protective elements connected in series				
Input Fuse Protection	DC Input: internal primary fuse, safety approved		20		A
Input Low Line Protection	Turn ON threshold Turn OFF threshold	390 370	400 380	410 390	VDC
Input Overvoltage Protection	Recovery: Vin re-cycling or PS_WAKEUP	810		850	V

## Interface & Control Signals

PARAMETER	DESCRIPTION / CONDITION	
CAN BUS SAE J1939	250 kBit/s or 500 kBit/s available	
Remote sense signals	Sense positive (+12 V SENSE) Sense negative (-12 V SENSE)	0.5 V compensation
Address bits	Internally pulled up to LOGIC HIGH (3.3V 100kohm)	Adr. 0 Adr. 1
PS_WAKEUP	Logic input signal	LV BAT VOLTAGE
HVIL function	HVIL pin shorted internally	Part of HV connector
CAN_SPEED	CAN speed selection Internally pulled up to LOGIC HIGH (3.3V 100kohm)	Logic Low – 250kBit/s Logic High – 500kBit/s

## Safety, Regulatory and EMC Specifications

PARAMETER	DESCRIPTION / CONDITION	CRITERION
Safety certification	Report number: E12*10R00-10R05*13669	E-MARK
Insulation	Basic: 3000 VDC	Input-to-Protective Earth
	Basic: 3000 VDC	Input-to-Output
Radiated Emission	UN ECE R10 4th Edition	ESA level
Electrostatic Discharge	IEC 61000-4-2	Performance Criterion B
Radiated Electromagnetic Field	IEC 61000-4-3 (10 V/m), SAE J1113/21(100V/m)	Performance Criterion B Class B
Electrical Fast Transient	IEC 61000-4-4, Level 2 (+/-2 kV, 2.5 kHz) ISO 7637-2; ISO 7637-3, ISO 16750-2	Performance Criterion B
RF Conducted Immunity	Level 3 (10 V, 0.15...80 MHz, AM 80%, 1kHz)	Performance Criterion A
RF Disturbances Immunity	SAE J1113-41 ISO11452-4 (1-400 MHz, 60 mA)	Class A Class B

## Environmental Specifications

PARAMETER	DESCRIPTION / CONDITION	MIN	NOM	MAX	UNIT
Altitude	Operating: 62 kPa absolute pressure Non-Operating: 18.6 kPa absolute pressure			3600 12200	m
Operating Temperature	Liquid cooled model: Convection cooled model:	T_coolant with no derating T_amb @ full load, no power derating T_amb with no power derating	-40 -40 -40	+70 +85 +45	°C
Storage Temperature		-40		+95	°C
Humidity	SAE J1455				
Shock	SAE J1455				
Vibration	SAE J1455, MIL-STD-202G				

+353 61 225 977  
tech.support@psbel.com  
[belpowersolutions.com](http://belpowersolutions.com)

# 700DNC40-12-xG

## Connectors

PARAMETER	DESCRIPTION / CONDITION	MANUFACTURER	MPN
Input Connector (IN)	High voltage connector with HVIL function	TYCO	2141272-1; KEY A
Output Connector (OUT)	Male dual terminal thread M8		
CAN BUS and Signal Interface (CTRL)	Panel mounted	TYCO	776276-1

## Cooling Specification

PARAMETER	DESCRIPTION / CONDITION
Maximum Inlet Coolant Temperature	+70°C
Coolant Medium/Mixture	50/50 Propylene or Ethylene Glycol/Water
Min Coolant Flow	0.0208l/s (0.33GPM)
Max. coolant pressure	20psi
Max. pressure drop	1psi

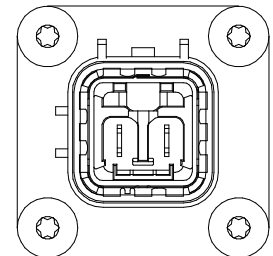
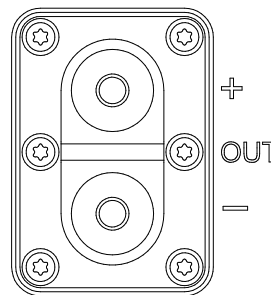
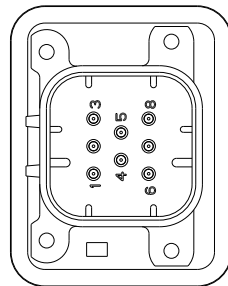
Signal Connector Pin Description

Signal Connector

Output Connector

Input Connector

PIN	SIGNAL DESCRIPTION
1	PS_WAKEUP
2	ADR0
3	ADR1
4	CAN_SPEED
5	CAN_H
6	CAN_L
7	+SENSE
8	-SENSE

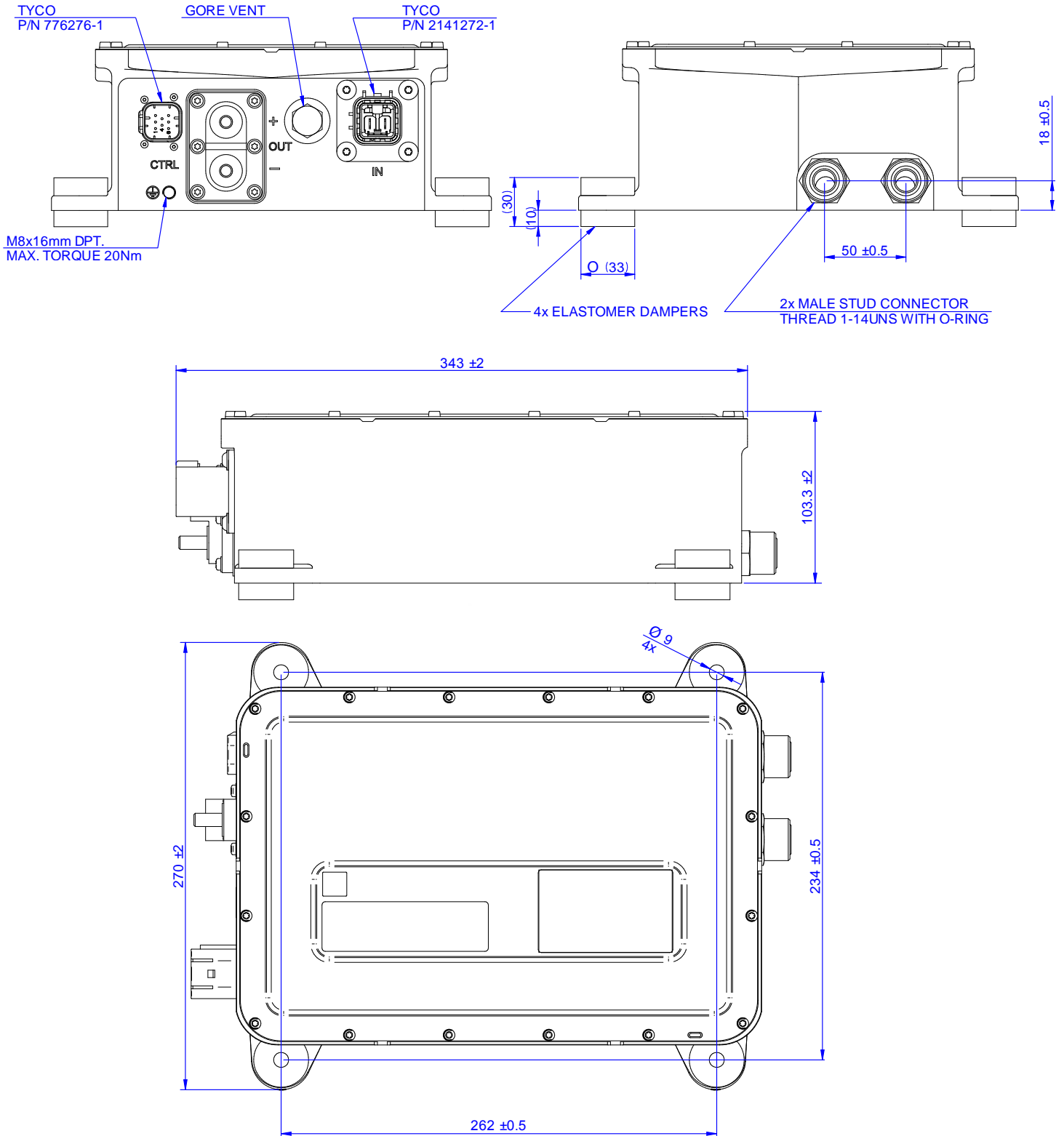


## Mechanical Specifications

PARAMETER	LIQUID COOLED MODEL	CONVECTION COOLED MODEL
Dimensions (W x H x D)	270 x 113.3 x 343 mm	350 x 187.7 x 343 mm
Weight	11 kg	22 kg
Enclosure	IP65 and IP67	

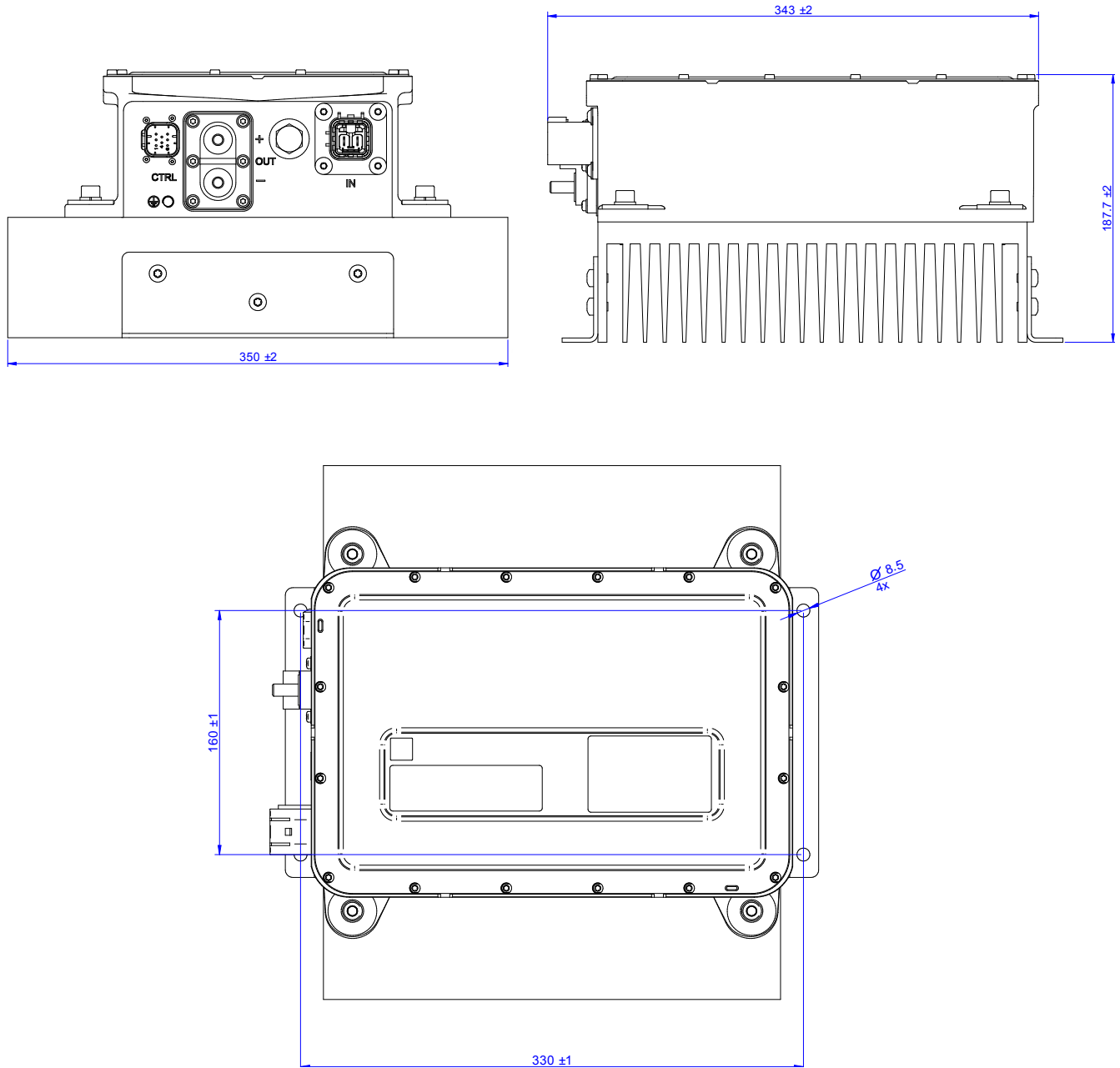
# 700DNC40-12-xG

Mechanical Drawings - Liquid Cooled Model



# 700DNC40-12-xG

Mechanical Drawings - Convection Cooled Model



For more information on these products consult: [tech.support@psbel.com](mailto:tech.support@psbel.com)

**NUCLEAR AND MEDICAL APPLICATIONS** - Products are not designed or intended for use as critical components in life support systems, equipment used in hazardous environments, or nuclear control systems.

**TECHNICAL REVISIONS** - The appearance of products, including safety agency certifications pictured on labels, may change depending on the date manufactured. Specifications are subject to change without notice.