

**FEATURES :**

- Open frame packages
- Efficiency up to 95%, Non isolated, no need for heatsink
- Customized Solutions Available
- Remote Control: On/Off
- Operating Temperature From -40°C To +65°C
- 3 Years Warranty
- Adjustable output voltages
- Short circuit protection
- Wide Input Voltage Ranges 4.5~14VDC and 10~30VDC

Specifications typical at TA=25°C, nominal input voltage and rated output current unless otherwise specified

Part Number	Input Range	Output Voltage	Output Current	Efficiency	
	Vdc	Vdc	mA	(%)	Output Voltage (Vdc)
01D-1206-3A	4.5-14	0.59-6.0	3000	92	3.3
01D-2406-3A	10-30	3.0-6.0	3000	91	5.0
01D-2415-3A	10-30	5.0-15	3000	95	12

**Input Specifications**

Parameters	Conditions	Min	Typ	Max	Units
Input Voltage Range	See table	4.5	12	30	V
Internal Input Filter	Capacitors		10		uF
No Load Input Current			30		mA

**Output Specifications**

Parameters	Conditions	Min	Typ	Max	Units
Voltage Tolerance				±3	%
Short Circuit Protection	Hiccup, automatic recovery				
Line Regulation	Vin=min to max at full load		±0.2		%
Load Regulation	0% To 100% F.L (Vo ≥ 2.5V)		±0.8		%
Current Limit			220		%
Ripple & Noise	100% F.L BW=20MHz			150	mVp-p
Dynamic load response (Recovery time)	25% load step change		120		us
Capacitive load	ESR > 1m ohm			500	uF

YUAN DEAN SCIENTIFIC



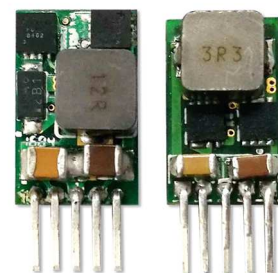
DC-DC Converter

01D-3A SERIES

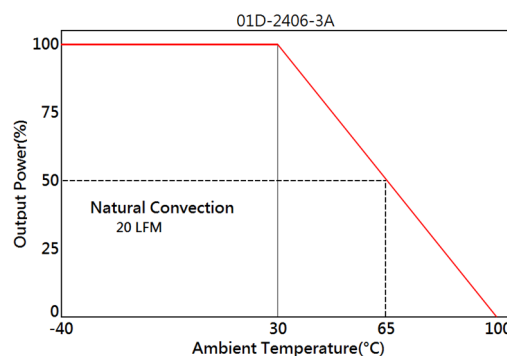
Non-Isolated

Single Output

0.57"\*0.36"\*0.23"



Temperature Derating Graph



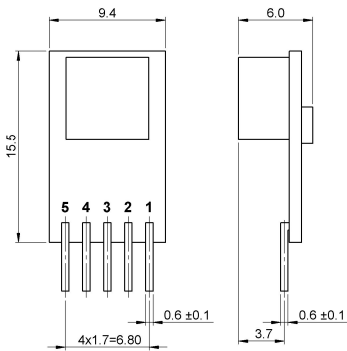
General Specifications

Parameters	Conditions	Min	Typ	Max	Units
Switching Frequency			300		KHz
Operating Temperature	With derating	-40		65	°C
Storage Temperature		-55		125	°C
Humidity	Non Condensing	5		95	%
Cooling	Natural Convection (20LFM)				
Case material	Open Frame				
Weight			2		g
Dimensions	01D-1206-3A	15.5x9.4x6.0			mm
	01D-2406-3A / 01D-2415-3A	16.5x10.4x6.0			mm
MTBF(+25°C )	Using MIL-HDBK 217F	4.4x10 <sup>6</sup>			Hours

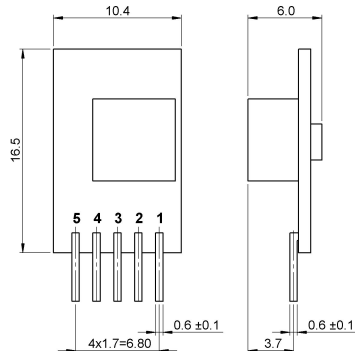
Dimensions

01D-1206-3A

01D-2406-3A / 01D-2415-3A



Unit : mm  
Tolerance : XX.X±0.5 , XX.XX±0.25



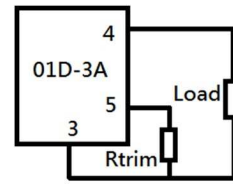
Unit : mm  
Tolerance : XX.X±0.5 , XX.XX±0.25

Part Number

01D - 24 06 - 3A  
A B C D

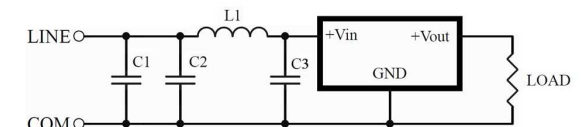
- A : Series
- B : Input Voltage
- C : Maximum Output Voltage
- D : Output Current

Trim Applications



Part Number	R trim [KΩ ]
01D-1206-3A	1.18/(Vo-0.59)
01D-2406-3A	11.2/(Vo-3)
01D-2415-3A	8.4/(Vo-5)

Recommended Test Circuit Meets EN55032 Class A



C1=220uF/100V,ESR<0.1Ω ;  
C2,C3=22uF/35V1210 MLCC  
L1=10uH Molding inductor

PIN Assignment

Pin	1	2	3	4	5
Function	Remote On/Off	+Vin	GND	+Vout	Trim