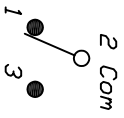


RECOMMENDED P.C.B. LAYOUT



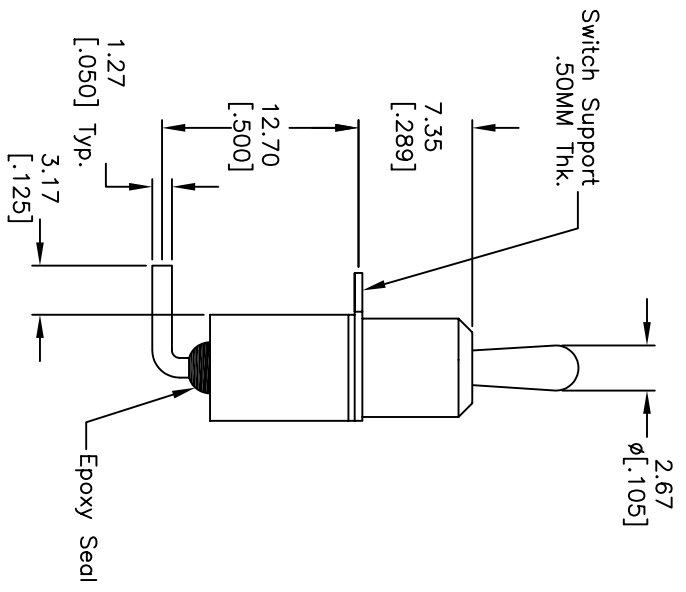
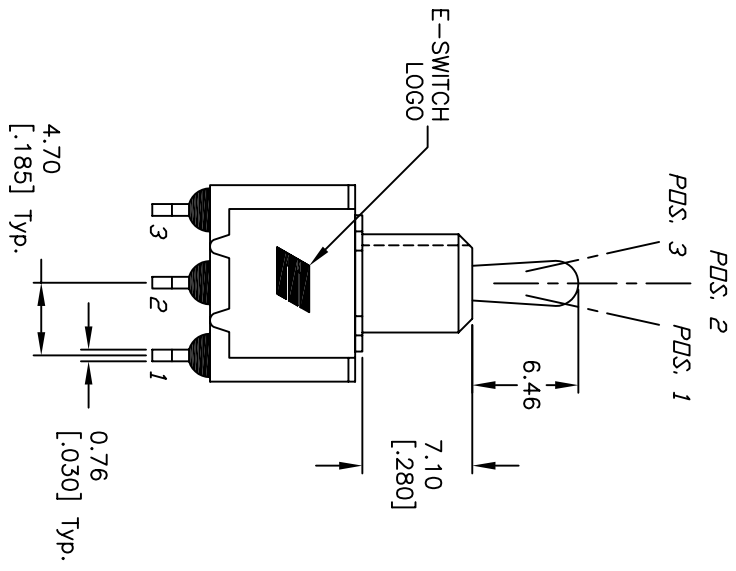
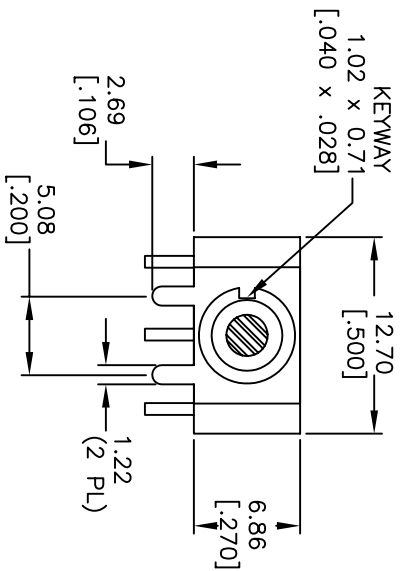
CIRCUIT: SPDT CONTACT CONFIGURATION

SWITCH FUNCTION		
PDS. 1	PDS. 2	PDS. 3
DN	DFP	<DN>
2-3	OPEN	2-1

() = Momentary

NOTES:

1. ALL DIMENSIONS IN MM [INCH]
2. GENERAL TOLERANCE: X.X=±0.4 X.XX=±0.25
3. TERM. NOS. FOR REF. ONLY
4. RATING: 0.4(VA) Max. @20V (AC or DC)
5. FIXED TERM. & MOVING CONTACT: Copper Alloy W/Gold plate over Ni Plate
6. ELECTRICAL LIFE: 40,000 make-and-break cycles at full load.
7. INSULATION RESISTANCE: 1,000M ohm min.
8. DIELECTRIC STRENGTH: 1,000V RMS @sed level.
9. OPERATING TEMP.: -30°C to 85°C.



REV.	ECN No.	DESCRIPTION	DATE	CHKD
D	15148	CHANGED DIM. & UPDATED NOTES	8/5/05	PV
C	12643	REVER PIN NOS, ADD E-LOGO	12/17/02	CJB
B	10714	TITLE: R was Q	1-20-00	GLG

TITLE		SCALE	DATE	DR	DWG	REV
100 SPS T2 B4 M6 R E		2:1	1/20/00	MM		D

E-SWITCH®

THE INFORMATION CONTAINED IN THIS DOCUMENT IS PROPRIETARY TO E-SWITCH AND IS NOT TO BE COPIED OR TRANSFERRED