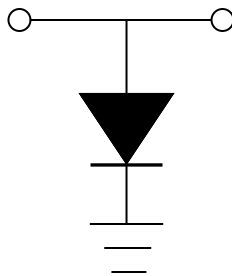
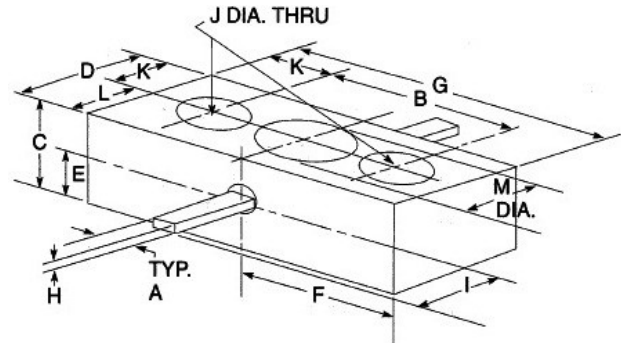
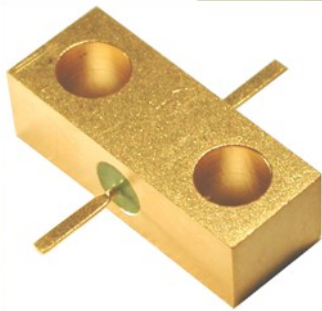


MADP-000506-014400

Bolt Channel PIN Diode

V2



DIM.	MILS		MILLIMETERS	
	MIN.	MAX.	MIN.	MAX.
A	20		0.51	
B	249	255	6.32	6.48
C	118	128	3.00	3.25
D	159	162	4.04	4.11
E	57	67	1.45	1.70
F	202	208	5.13	5.28
G	405	415	10.30	10.50
H	5	9	0.13	0.23
I	125	145	3.18	3.68
J	93	99	2.36	2.51
K	76	82	1.93	2.08
L	76	82	1.93	2.08
M	127	133	3.23	3.38

Electrical Specifications @ $T_{AMB} = +25^{\circ}\text{C}$

Symbol	Units	Conditions	Min.	Typ.	Max.
C_J	μF	1 MHz / 100V	-	-	0.7
R_S	Ω	100 MHz / 100mA	-	-	0.30
V_F	V	+100mA	-	-	1.0
I_R	μA	-500V	-	-	1
T_L	μS	$I_F 10\text{mA}/I_R 6\text{mA}$	-	3	-
μm	micron	I Region		51	
θ	$^{\circ}\text{C/W}$	-			15

Parameter	Maximum
Voltage	500
Operating Temperature	- 65°C to +150°C
Storage Temperature	- 65°C to +200°C
Junction Temperature	+175°C
Soldering Temperature	280°C for 10 seconds

- Exceeding any one of the above conditions may cause permanent damage to the device.