

# 10A, 32V Monolithic Synchronous Step-Down DC/DC Converter

## FEATURES

- 10A Output Current
- Wide  $V_{IN}$  Range = 4.5V to 32V (36V Maximum)
- Internal N-Channel MOSFETs
- True Current Mode Control
- Optimized for High Step-Down Ratios
- $t_{ON(MIN)} \leq 100ns$
- Extremely Fast Transient Response
- Stable with Ceramic  $C_{OUT}$
- $\pm 1\%$  0.6V Voltage Reference
- Power Good Output Voltage Monitor
- Adjustable On-Time/Switching Frequency (>1MHz)
- Adjustable Current Limit
- Programmable Soft-Start
- Output Overvoltage Protection
- Optional Short-Circuit Shutdown Timer
- Low Shutdown  $I_Q$ : 15 $\mu$ A
- Available in a 9mm  $\times$  9mm 64-Pin QFN Package

## APPLICATIONS

- Point of Load Regulation
- Distributed Power Systems

## DESCRIPTION

The LTC<sup>®</sup>3611 is a high efficiency, monolithic synchronous step-down DC/DC converter that can deliver up to 10A output current from a 4.5V to 32V (36V maximum) input supply. It uses a constant on-time valley current mode control architecture to deliver very low duty cycle operation at high frequency with excellent transient response. The operating frequency is selected by an external resistor and is compensated for variations in  $V_{IN}$  and  $V_{OUT}$ .

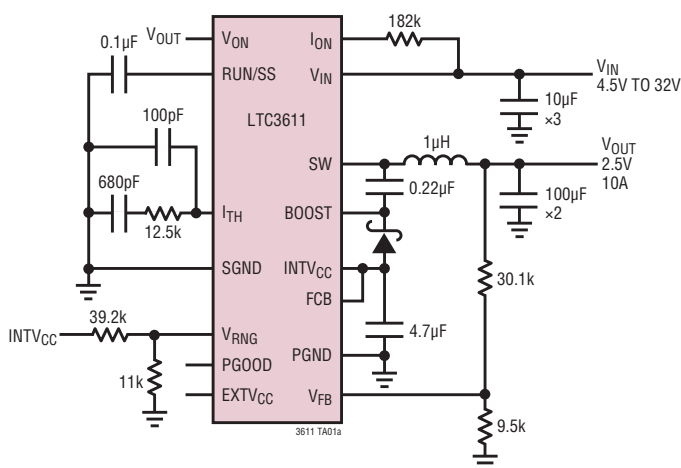
The LTC3611 can be configured for discontinuous or forced continuous operation at light load. Forced continuous operation reduces noise and RF interference while discontinuous mode provides high efficiency by reducing switching losses at light loads.

Fault protection is provided by internal foldback current limiting, an output overvoltage comparator and an optional short-circuit shutdown timer. Soft-start capability for supply sequencing is accomplished using an external timing capacitor. The regulator current limit is user programmable. A power good output voltage monitor indicates when the output is in regulation. The LTC3611 is available in a compact 9mm  $\times$  9mm QFN package.

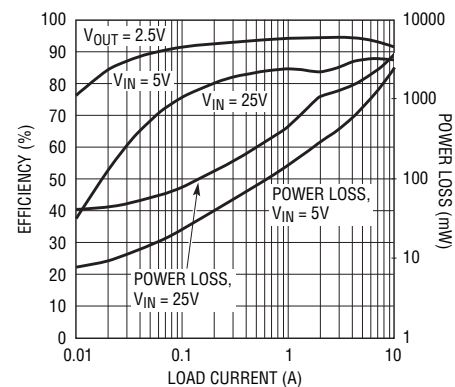
LT, LT, LTC, LTM, Linear Technology and the Linear logo are registered trademarks of Linear Technology Corporation. All other trademarks are the property of their respective owners. Patents including 5481178, 6100678, 6580258, 5847554, 6304066.

## TYPICAL APPLICATION

High Efficiency Step-Down Converter



Efficiency and Power Loss vs Load Current

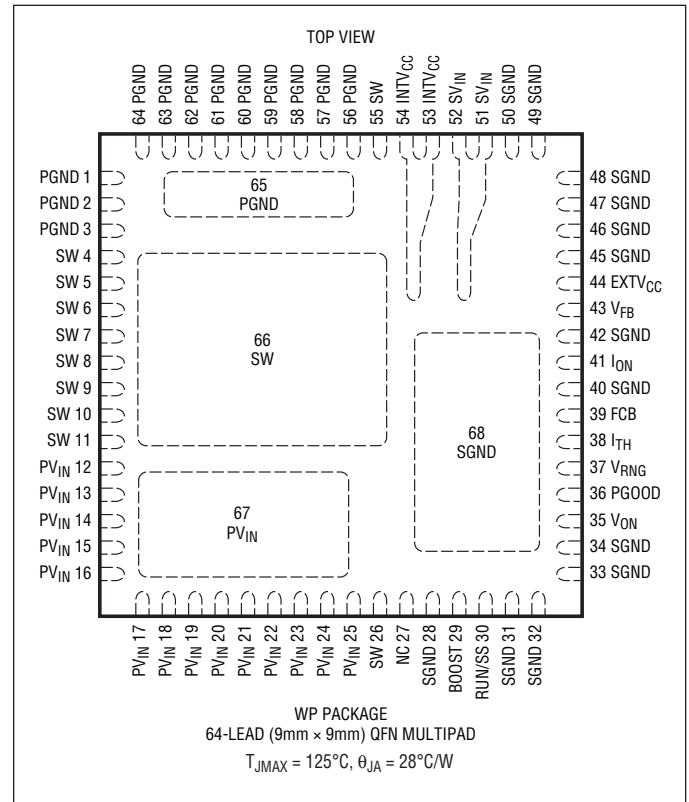


## ABSOLUTE MAXIMUM RATINGS

(Note 1)

|  |                                    |
|--|------------------------------------|
| Input Supply Voltage ( $V_{IN}$ , $I_{ON}$ )                                   | 36V to -0.3V                       |
| Boosted Topside Driver Supply Voltage (BOOST)                                  | 42V to -0.3V                       |
| SW Voltage   | 36V to -0.3V                       |
| INTV <sub>CC</sub> , EXT <sub>V</sub> CC, (BOOST - SW), RUN/SS, PGOOD Voltages | 7V to -0.3V                        |
| FCB, V <sub>ON</sub> , V <sub>RNG</sub> Voltages                               | INTV <sub>CC</sub> + 0.3V to -0.3V |
| I <sub>TH</sub> , V <sub>FB</sub> Voltages                                     | 2.7V to -0.3V                      |
| Operating Junction Temperature Range (Notes 2, 4)                              | -40°C to 125°C                     |
| Storage Temperature Range  | -55°C to 125°C                     |

## PIN CONFIGURATION



## ORDER INFORMATION

| LEAD FREE FINISH  | TAPE AND REEL    | PART MARKING* | PACKAGE DESCRIPTION             | TEMPERATURE RANGE |
|-------------------|------------------|---------------|---------------------------------|-------------------|
| LTC3611EWP#PBF    | LTC3611EWP#TRPBF | LTC3611WP     | 64-Lead (9mm × 9mm) Plastic QFN | -40°C to 125°C    |
| LTC3611IWP#PBF    | LTC3611IWP#TRPBF | LTC3611WP     | 64-Lead (9mm × 9mm) Plastic QFN | -40°C to 125°C    |
| LEAD BASED FINISH | TAPE AND REEL    | PART MARKING* | PACKAGE DESCRIPTION             | TEMPERATURE RANGE |
| LTC3611EWP        | LTC3611EWP#TR    | LTC3611WP     | 64-Lead (9mm × 9mm) Plastic QFN | -40°C to 125°C    |
| LTC3611IWP        | LTC3611IWP#TR    | LTC3611WP     | 64-Lead (9mm × 9mm) Plastic QFN | -40°C to 125°C    |

Consult LTC Marketing for parts specified with wider operating temperature ranges. \*The temperature grade is identified by a label on the shipping container.

For more information on lead free part marking, go to: <http://www.linear.com/leadfree/>

For more information on tape and reel specifications, go to: <http://www.linear.com/tapeandree/>

## ELECTRICAL CHARACTERISTICS

The ● denotes the specifications which apply over the full operating temperature range, otherwise specifications are at  $T_A = 25^\circ\text{C}$ .  $V_{IN} = 15\text{V}$  unless otherwise noted.

| SYMBOL                   | PARAMETER  | CONDITIONS   | MIN                 | TYP               | MAX            | UNITS                                |               |
|--------------------------|--|--|---------------------|-------------------|----------------|--------------------------------------|---------------|
| <b>Main Control Loop</b> |  |  |                     |                   |                |                                      |               |
| $V_{IN}$                 | Operating Input Voltage Range                                |  | 4.5                 |                   | 32             | V                                    |               |
| $I_Q$                    | Input DC Supply Current<br>Normal<br>Shutdown Supply Current |  |                     | 900<br>15         | 2000<br>30     | $\mu\text{A}$<br>$\mu\text{A}$       |               |
| $V_{FB}$                 | Feedback Reference Voltage                                   | $I_{TH} = 1.2\text{V}$ (Note 3)<br>$-40^\circ\text{C}$ to $85^\circ\text{C}$<br>$-40^\circ\text{C}$ to $125^\circ\text{C}$                 | ●<br>0.594<br>0.590 | 0.600<br>0.600    | 0.606<br>0.610 | V<br>V                               |               |
| $\Delta V_{FB(LINEREG)}$ | Feedback Voltage Line Regulation                             | $V_{IN} = 4\text{V}$ to $30\text{V}$ , $I_{TH} = 1.2\text{V}$ (Note 3)   |                     | 0.002             |                | %/V                                  |               |
| $\Delta V_{FB(LOADREG)}$ | Feedback Voltage Load Regulation                             | $I_{TH} = 0.5\text{V}$ to $1.9\text{V}$ (Note 3)   |                     | -0.05             | -0.3           | %                                    |               |
| $I_{FB}$                 | Feedback Input Current                                       | $V_{FB} = 0.6\text{V}$   |                     | -5                | $\pm 50$       | nA                                   |               |
| $g_{m(EA)}$              | Error Amplifier Transconductance                             | $I_{TH} = 1.2\text{V}$ (Note 3)  | ●<br>1.4            | 1.7               | 2              | mS                                   |               |
| $V_{FCB}$                | Forced Continuous Threshold                                  |  | ●<br>0.54           | 0.6               | 0.66           | V                                    |               |
| $I_{FCB}$                | Forced Continuous Pin Current                                | $V_{FCB} = 0.6\text{V}$  |                     | -1                | -2             | $\mu\text{A}$                        |               |
| $t_{ON}$                 | On-Time  | $I_{ON} = 60\mu\text{A}$ , $V_{ON} = 1.5\text{V}$<br>$I_{ON} = 60\mu\text{A}$ , $V_{ON} = 0\text{V}$                                       |                     | 190<br>250<br>120 | 310            | ns<br>ns                             |               |
| $t_{ON(MIN)}$            | Minimum On-Time  | $I_{ON} = 180\mu\text{A}$ , $V_{ON} = 0\text{V}$   |                     | 60                | 100            | ns                                   |               |
| $t_{OFF(MIN)}$           | Minimum Off-Time   | $I_{ON} = 30\mu\text{A}$ , $V_{ON} = 1.5\text{V}$  |                     | 290               | 500            | ns                                   |               |
| $I_{VALLEY(MAX)}$        | Maximum Valley Current                                       | $V_{RNG} = 0\text{V}$ , $V_{FB} = 0.56\text{V}$ , $FCB = 0\text{V}$<br>$V_{RNG} = 1\text{V}$ , $V_{FB} = 0.56\text{V}$ , $FCB = 0\text{V}$ | ●<br>●<br>6<br>8    | 10<br>15          |                | A<br>A                               |               |
| $I_{VALLEY(MIN)}$        | Maximum Reverse Valley Current                               | $V_{RNG} = 0\text{V}$ , $V_{FB} = 0.64\text{V}$ , $FCB = 0\text{V}$<br>$V_{RNG} = 1\text{V}$ , $V_{FB} = 0.64\text{V}$ , $FCB = 0\text{V}$ |                     | -6<br>-8          |                | A<br>A                               |               |
| $\Delta V_{FB(OV)}$      | Output Overvoltage Fault Threshold                           |  |                     | 7                 | 10             | 13                                   | %             |
| $V_{RUN/SS(ON)}$         | RUN Pin Start Threshold                                      |  | ●<br>0.8            | 1.5               | 2              | V                                    |               |
| $V_{RUN/SS(LE)}$         | RUN Pin Latchoff Enable Threshold                            | RUN/SS Pin Rising  |                     | 4                 | 4.5            | V                                    |               |
| $V_{RUN/SS(LT)}$         | RUN Pin Latchoff Threshold                                   | RUN/SS Pin Falling   |                     | 3.5               | 4.2            | V                                    |               |
| $I_{RUN/SS(C)}$          | Soft-Start Charge Current                                    | $V_{RUN/SS} = 0\text{V}$   |                     | -0.5              | -1.2           | -3                                   | $\mu\text{A}$ |
| $I_{RUN/SS(D)}$          | Soft-Start Discharge Current                                 | $V_{RUN/SS} = 4.5\text{V}$ , $V_{FB} = 0\text{V}$  |                     | 0.8               | 1.8            | 3                                    | $\mu\text{A}$ |
| $V_{IN(UVLO)}$           | Undervoltage Lockout   | $V_{IN}$ Falling   | ●                   | 3.4               | 3.9            | V                                    |               |
| $V_{IN(UVLOR)}$          | Undervoltage Lockout Release                                 | $V_{IN}$ Rising  | ●                   | 3.5               | 4              | V                                    |               |
| $R_{DS(ON)}$             | Top Switch On-Resistance<br>Bottom Switch On-Resistance      |  |                     | 15<br>9           | 22<br>14       | $\text{m}\Omega$<br>$\text{m}\Omega$ |               |

## ELECTRICAL CHARACTERISTICS

The ● denotes the specifications which apply over the full operating temperature range, otherwise specifications are at  $T_A = 25^\circ\text{C}$ .  $V_{IN} = 15\text{V}$  unless otherwise noted.

| SYMBOL  | PARAMETER                          | CONDITIONS  | MIN   | TYP  | MAX     | UNITS |   |
|---|------------------------------------|---|-------|------|---------|-------|---|
| <b>Internal <math>V_{CC}</math> Regulator</b> |                                    |   |       |      |         |       |   |
| $V_{INTVCC}$                                  | Internal $V_{CC}$ Voltage          | $6\text{V} < V_{IN} < 30\text{V}$ , $V_{EXTVCC} = 4\text{V}$      | ● 4.7 | 5    | 5.6     | V     |   |
| $\Delta V_{LDO(LoadReg)}$                     | Internal $V_{CC}$ Load Regulation  | $I_{CC} = 0\text{mA}$ to $20\text{mA}$ , $V_{EXTVCC} = 4\text{V}$ |       | -0.1 | $\pm 2$ | %     |   |
| $V_{EXTVCC}$                                  | EXT $V_{CC}$ Switchover Voltage    | $I_{CC} = 20\text{mA}$ , $V_{EXTVCC}$ Rising                      | ● 4.5 | 4.7  |         | V     |   |
| $\Delta V_{EXTVCC}$                           | EXT $V_{CC}$ Switch Drop Voltage   | $I_{CC} = 20\text{mA}$ , $V_{EXTVCC} = 5\text{V}$                 |       | 150  | 300     | mV    |   |
| $\Delta V_{EXTVCC(HYS)}$                      | EXT $V_{CC}$ Switchover Hysteresis |   |       | 500  |         | mV    |   |
| <b>PGOOD Output</b>                           |                                    |   |       |      |         |       |   |
| $\Delta V_{FBH}$                              | PGOOD Upper Threshold              | $V_{FB}$ Rising   |       | 7    | 10      | 13    | % |
| $\Delta V_{FBL}$                              | PGOOD Lower Threshold              | $V_{FB}$ Falling  |       | -7   | -10     | -13   | % |
| $\Delta V_{FB(HYS)}$                          | PGOOD Hysteresis                   | $V_{FB}$ Returning  |       |      | 1       | 2.5   | % |
| $V_{PGL}$                                     | PGOOD Low Voltage                  | $I_{PGOOD} = 5\text{mA}$  |       |      | 0.15    | 0.4   | V |

**Note 1:** Stresses beyond those listed under Absolute Maximum Ratings may cause permanent damage to the device. Exposure to any Absolute Maximum Rating condition for extended periods may affect device reliability and lifetime.

**Note 2:**  $T_J$  is calculated from the ambient temperature  $T_A$  and power dissipation  $P_D$  as follows:

$$T_J = T_A + (P_D \cdot 28^\circ\text{C/W}) \quad (\theta_{JA} \text{ is simulated per JEDEC51-7 high effective thermal conductivity test board})$$

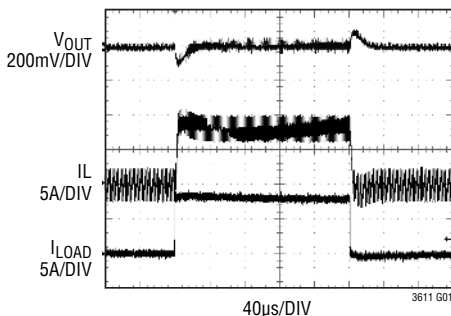
$$\theta_{JC} = 1^\circ\text{C/W} \quad (\theta_{JC} \text{ is simulated when heatsink is applied at the bottom of the package})$$

**Note 3:** The LTC3611 is tested in a feedback loop that adjusts  $V_{FB}$  to achieve a specified error amplifier output voltage ( $I_{TH}$ ). The specification at  $85^\circ\text{C}$  is not tested in production. This specification is assured by design, characterization, and correlation to testing at  $125^\circ\text{C}$ .

**Note 4:** The LTC3611 is tested under pulsed load conditions such that  $T_J \approx T_A$ . The LTC3611E is guaranteed to meet specifications from  $0^\circ\text{C}$  to  $125^\circ\text{C}$  junction temperature. Specifications over the  $-40^\circ\text{C}$  to  $125^\circ\text{C}$  operating junction temperature range are assured by design, characterization and correlation with statistical process controls. The LTC3611I is guaranteed over the full  $-40^\circ\text{C}$  to  $125^\circ\text{C}$  operating junction temperature range. Note that the maximum ambient temperature consistent with these specifications is determined by specific operating conditions in conjunction with board layout, the rated package thermal impedance and other environmental factors.

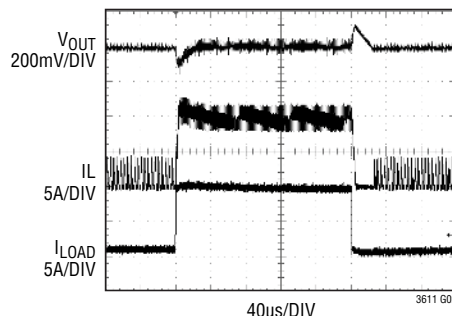
## TYPICAL PERFORMANCE CHARACTERISTICS

### Transient Response



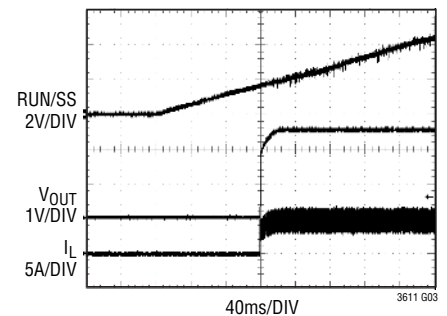
LOAD STEP 0A TO 8A  
 $V_{IN} = 25\text{V}$   
 $V_{OUT} = 2.5\text{V}$   
 $FCB = 0$   
 FIGURE 6 CIRCUIT

### Transient Response (Discontinuous Mode)



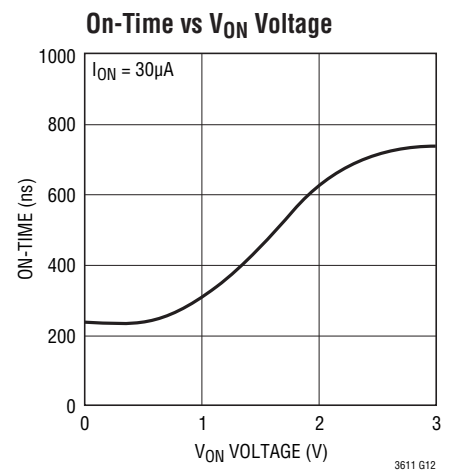
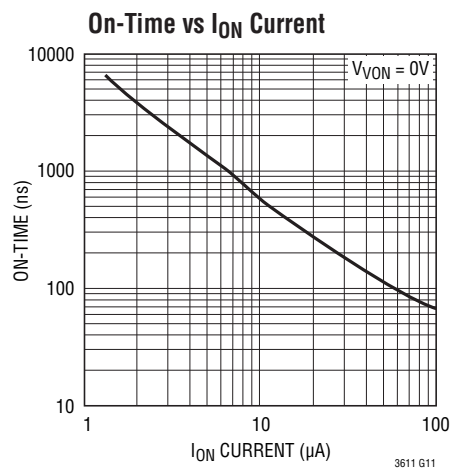
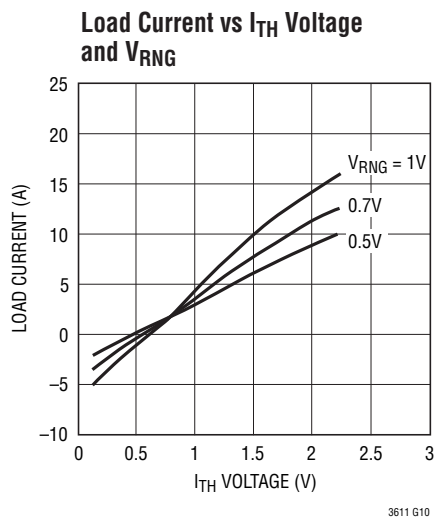
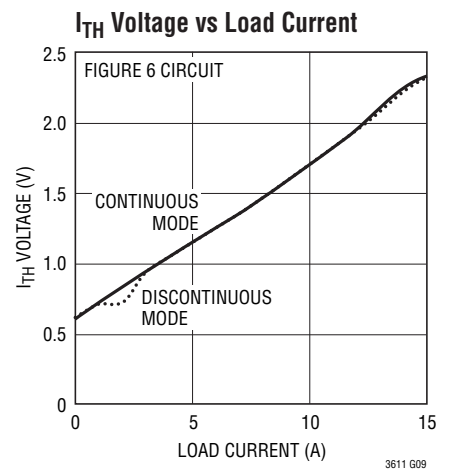
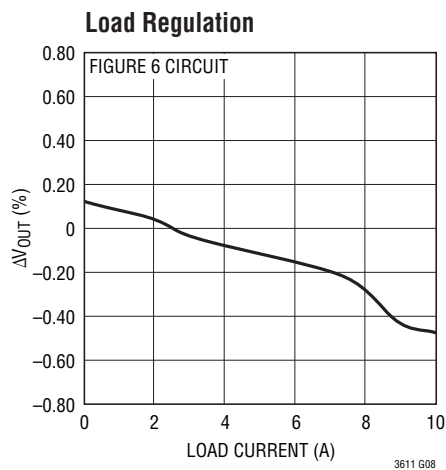
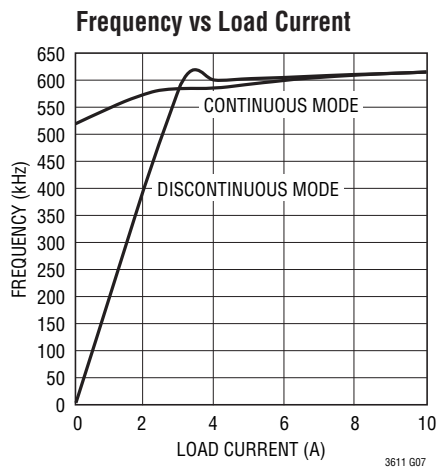
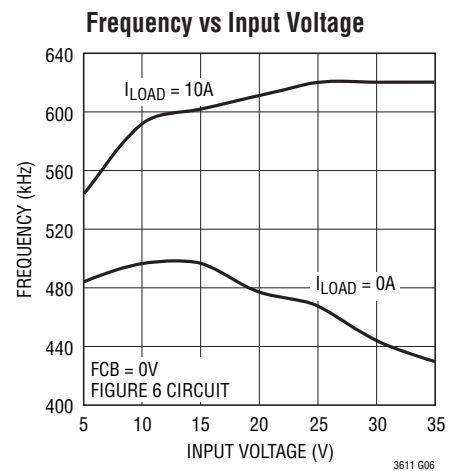
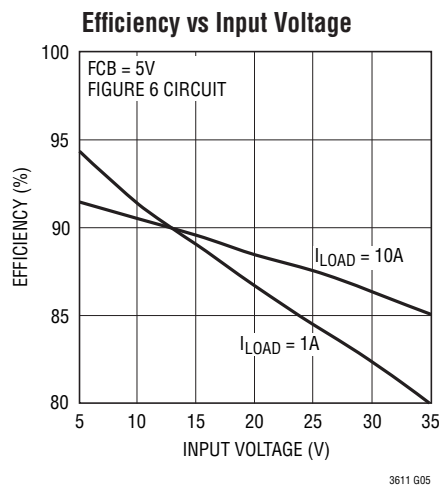
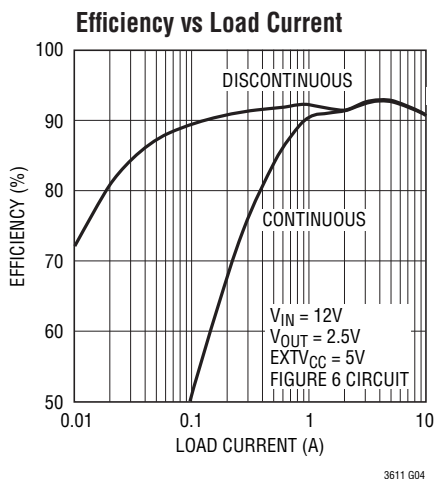
LOAD = 1A TO 10A  
 $V_{IN} = 25\text{V}$   
 $V_{OUT} = 2.5\text{V}$   
 $FCB = INTV_{CC}$   
 FIGURE 6 CIRCUIT

### Start-Up



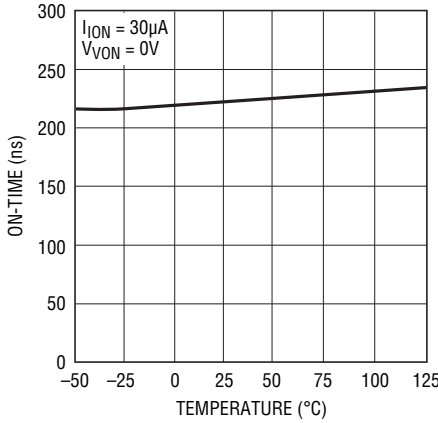
$V_{IN} = 25\text{V}$   
 $V_{OUT} = 2.5\text{V}$   
 $R_{LOAD} = 0.5\Omega$   
 FIGURE 6 CIRCUIT

# TYPICAL PERFORMANCE CHARACTERISTICS



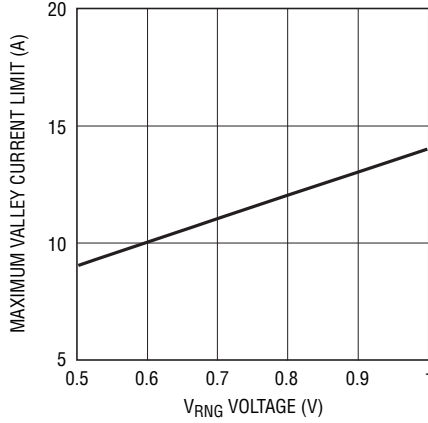
TYPICAL PERFORMANCE CHARACTERISTICS

On-Time vs Temperature



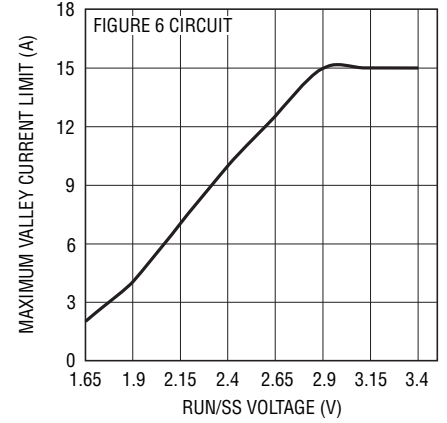
3611 G13

Maximum Valley Current Limit vs VRNG Voltage



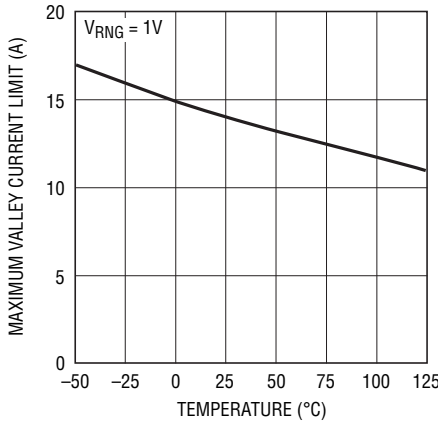
3611 G15

Maximum Valley Current Limit vs RUN/SS Voltage



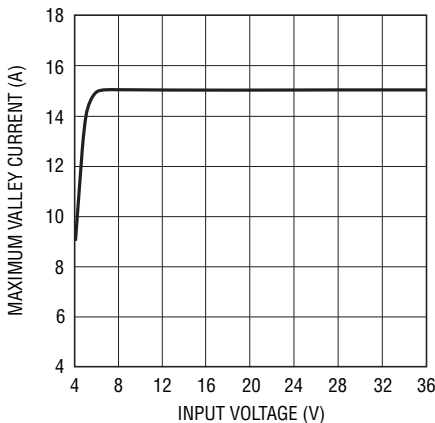
3611 G16

Maximum Valley Current Limit vs Temperature



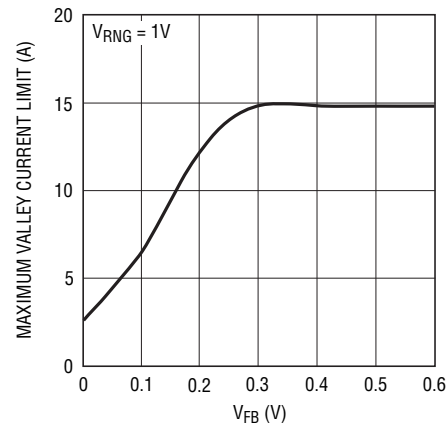
3611 G17

Input Voltage vs Maximum Valley Current



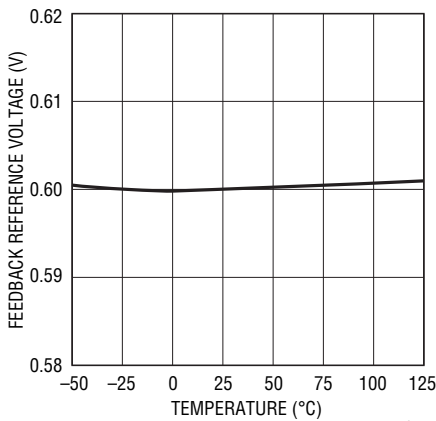
3611 G27

Maximum Valley Current Limit in Foldback



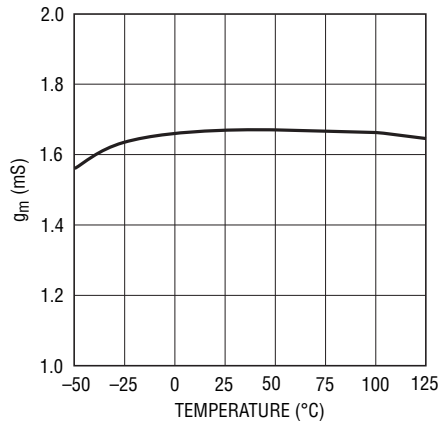
3611 G14

Feedback Reference Voltage vs Temperature



3611 G18

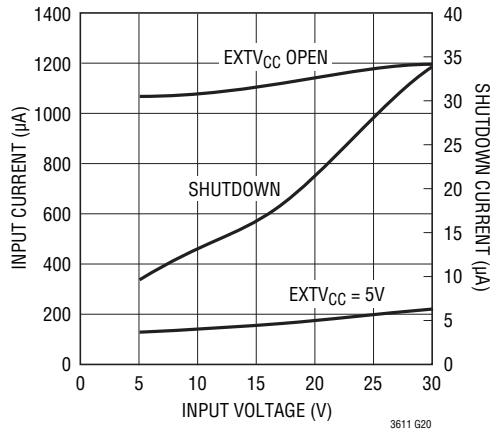
Error Amplifier gm vs Temperature



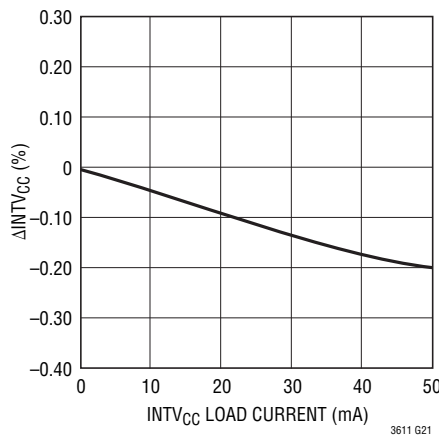
3611 G19

# TYPICAL PERFORMANCE CHARACTERISTICS

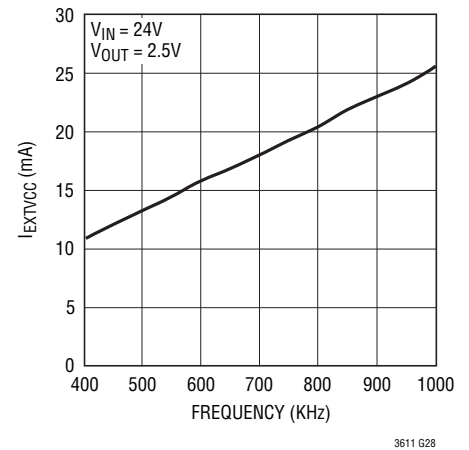
**Input and Shutdown Currents vs Input Voltage**



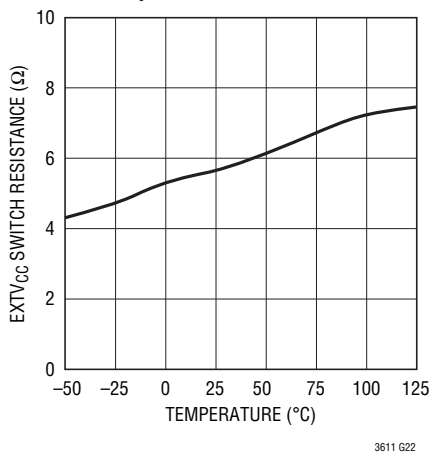
**INTV<sub>CC</sub> Load Regulation**



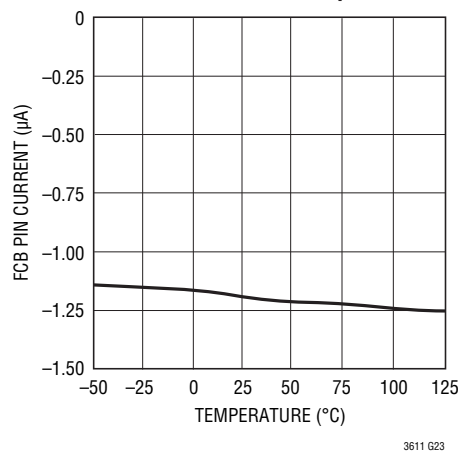
**EXTV<sub>CC</sub> vs Frequency**



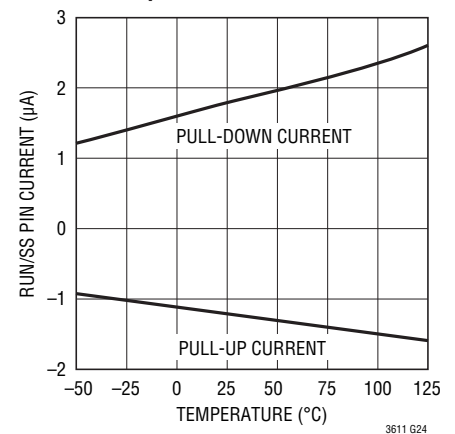
**EXTV<sub>CC</sub> Switch Resistance vs Temperature**



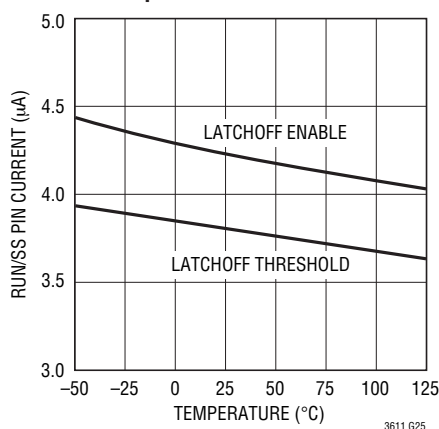
**FCB Pin Current vs Temperature**



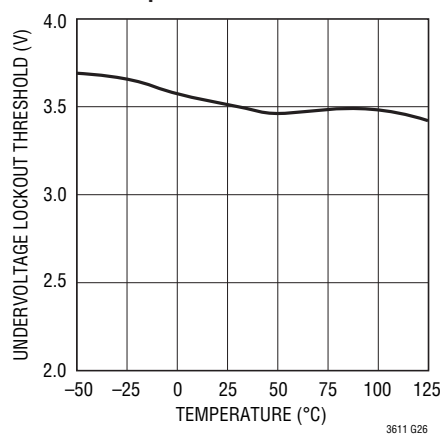
**RUN/SS Pin Current vs Temperature**



**RUN/SS Pin Current vs Temperature**



**Undervoltage Lockout Threshold vs Temperature**



## PIN FUNCTIONS

**PGND (Pins 1, 2, 3, 56, 57, 58, 59, 60, 61, 62, 63, 64, 65):** Power Ground. Connect this pin closely to the (–) terminal of  $C_{VCC}$  and the (–) terminal of  $C_{IN}$ .

**SW (Pins 4, 5, 6, 7, 8, 9, 10, 11, 26, 55, 66):** Switch Node Connection to the Inductor. The (–) terminal of the bootstrap capacitor,  $C_B$ , also connects here. This pin swings from a diode voltage drop below ground up to  $V_{IN}$ .

**PV<sub>IN</sub> (Pins 12, 13, 14, 15, 16, 17, 18, 19, 20, 21, 22, 23, 24, 25, 67):** Main Input Supply. Decouple this pin to power PGND with the input capacitance,  $C_{IN}$ .

**NC (Pin 27):** No Connection.

**SGND (Pins 28, 31, 32, 33, 34, 40, 42, 45, 46, 47, 48, 49, 50, 68):** Signal Ground. All small-signal components and compensation components should connect to this ground, which in turn connects to PGND at one point.

**BOOST (Pin 29):** Boosted Floating Driver Supply. The (+) terminal of the bootstrap capacitor,  $C_B$ , connects here. This pin swings from a diode voltage drop below  $INTV_{CC}$  up to  $V_{IN} + INTV_{CC}$ .

**RUN/SS (Pin 30):** Run Control and Soft-Start Input. A capacitor to ground at this pin sets the ramp time to full output current (approximately  $3s/\mu F$ ) and the time delay for overcurrent latching (see Applications Information). Forcing this pin below 0.8V shuts down the device.

**V<sub>ON</sub> (Pin 35):** On-Time Voltage Input. Voltage trip point for the on-time comparator. Tying this pin to the output voltage or an external resistive divider from the output makes the on-time proportional to  $V_{OUT}$ . The comparator input defaults to 0.7V when the pin is grounded and defaults to 2.4V when the pin is tied to  $INTV_{CC}$ . Tie this pin to  $INTV_{CC}$  in high  $V_{OUT}$  applications to use a lower  $R_{ON}$  value.

**PGOOD (Pin 36):** Power Good Output. Open-drain logic output that is pulled to ground when the output voltage is not within  $\pm 10\%$  of the regulation point.

**V<sub>RNG</sub> (Pin 37):** Current Limit Range Input. The voltage at this pin adjusts maximum valley current and can be set from 0.7V to 1V by a resistive divider from  $INTV_{CC}$ . It defaults to 0.7V if the  $V_{RNG}$  pin is tied to ground which results in a typical 10A current limit.

**I<sub>TH</sub> (Pin 38):** Current Control Threshold and Error Amplifier Compensation Point. The current comparator threshold increases with this control voltage. The voltage ranges from 0V to 2.4V with 0.8V corresponding to zero sense voltage (zero current).

**FCB (Pin 39):** Forced Continuous Input. Tie this pin to ground to force continuous synchronous operation at low load, to  $INTV_{CC}$  to enable discontinuous mode operation at low load or to a resistive divider from a secondary output when using a secondary winding.

**I<sub>ON</sub> (Pin 41):** On-Time Current Input. Tie a resistor from  $V_{IN}$  to this pin to set the one-shot timer current and thereby set the switching frequency.

**V<sub>FB</sub> (Pin 43):** Error Amplifier Feedback Input. This pin connects the error amplifier input to an external resistive divider from  $V_{OUT}$ .

**EXTV<sub>CC</sub> (Pin 44):** External  $V_{CC}$  Input. When  $EXTV_{CC}$  exceeds 4.7V, an internal switch connects this pin to  $INTV_{CC}$  and shuts down the internal regulator so that controller and gate drive power is drawn from  $EXTV_{CC}$ . Do not exceed 7V at this pin and ensure that  $EXTV_{CC} < V_{IN}$ .

**SV<sub>IN</sub> (Pins 51, 52):** Supply Pin for Internal PWM Controller.

**INTV<sub>CC</sub> (Pins 53, 54):** Internal 5V Regulator Output. The driver and control circuits are powered from this voltage. Decouple this pin to power ground with a minimum of 4.7 $\mu F$  low ESR tantalum or ceramic capacitor.





## OPERATION

### Main Control Loop

The LTC3611 is a high efficiency monolithic synchronous, step-down DC/DC converter utilizing a constant on-time, current mode architecture. It operates from an input voltage range of 4.5V to 32V and provides a regulated output voltage at up to 10A of output current. The internal synchronous power switch increases efficiency and eliminates the need for an external Schottky diode. In normal operation, the top MOSFET is turned on for a fixed interval determined by a one-shot timer OST. When the top MOSFET is turned off, the bottom MOSFET is turned on until the current comparator  $I_{CMP}$  trips, restarting the one-shot timer and initiating the next cycle. Inductor current is determined by sensing the voltage between the PGND and SW pins using the bottom MOSFET on-resistance. The voltage on the  $I_{TH}$  pin sets the comparator threshold corresponding to inductor valley current. The error amplifier, EA, adjusts this voltage by comparing the feedback signal  $V_{FB}$  from the output voltage with an internal 0.6V reference. If the load current increases, it causes a drop in the feedback voltage relative to the reference. The  $I_{TH}$  voltage then rises until the average inductor current again matches the load current.

At light load, the inductor current can drop to zero and become negative. This is detected by current reversal comparator  $I_{REV}$  which then shuts off M2 (see Functional Diagram), resulting in discontinuous operation. Both switches will remain off with the output capacitor supplying the load current until the  $I_{TH}$  voltage rises above the zero current level (0.8V) to initiate another cycle. Discontinuous mode operation is disabled by comparator F when the FCB pin is brought below 0.6V, forcing continuous synchronous operation.

The operating frequency is determined implicitly by the top MOSFET on-time and the duty cycle required to maintain regulation. The one-shot timer generates an on-time that is proportional to the ideal duty cycle, thus holding frequency approximately constant with changes in  $V_{IN}$ . The nominal frequency can be adjusted with an external resistor,  $R_{ON}$ .

Overvoltage and undervoltage comparators OV and UV pull the PGOOD output low if the output feedback voltage exits a  $\pm 10\%$  window around the regulation point. Furthermore, in an overvoltage condition, M1 is turned off and M2 is turned on and held on until the overvoltage condition clears.

Foldback current limiting is provided if the output is shorted to ground. As  $V_{FB}$  drops, the buffered current threshold voltage  $I_{THB}$  is pulled down by clamp Q3 to a 1V level set by Q4 and Q6. This reduces the inductor valley current level to one sixth of its maximum value as  $V_{FB}$  approaches 0V.

Pulling the RUN/SS pin low forces the controller into its shutdown state, turning off both M1 and M2. Releasing the pin allows an internal  $1.2\mu\text{A}$  current source to charge up an external soft-start capacitor,  $C_{SS}$ . When this voltage reaches 1.5V, the controller turns on and begins switching, but with the  $I_{TH}$  voltage clamped at approximately 0.6V below the RUN/SS voltage. As  $C_{SS}$  continues to charge, the soft-start current limit is removed.

### INTV<sub>CC</sub>/EXTV<sub>CC</sub> Power

Power for the top and bottom MOSFET drivers and most of the internal controller circuitry is derived from the INTV<sub>CC</sub> pin. The top MOSFET driver is powered from a floating bootstrap capacitor,  $C_B$ . This capacitor is recharged from INTV<sub>CC</sub> through an external Schottky diode,  $D_B$ , when the top MOSFET is turned off. When the EXTV<sub>CC</sub> pin is grounded, an internal 5V low dropout regulator supplies the INTV<sub>CC</sub> power from  $V_{IN}$ . If EXTV<sub>CC</sub> rises above 4.7V, the internal regulator is turned off, and an internal switch connects EXTV<sub>CC</sub> to INTV<sub>CC</sub>. This allows a high efficiency source connected to EXTV<sub>CC</sub>, such as an external 5V supply or a secondary output from the converter, to provide the INTV<sub>CC</sub> power. Voltages up to 7V can be applied to EXTV<sub>CC</sub> for additional gate drive. If the input voltage is low and INTV<sub>CC</sub> drops below 3.5V, undervoltage lockout circuitry prevents the power switches from turning on.

## APPLICATIONS INFORMATION

The basic LTC3611 application circuit is shown on the front page of this data sheet. External component selection is primarily determined by the maximum load current. The LTC3611 uses the on-resistance of the synchronous power MOSFET for determining the inductor current. The desired amount of ripple current and operating frequency also determines the inductor value. Finally,  $C_{IN}$  is selected for its ability to handle the large RMS current into the converter and  $C_{OUT}$  is chosen with low enough ESR to meet the output voltage ripple and transient specification.

### $V_{ON}$ and PGOOD

The LTC3611 has an open-drain PGOOD output that indicates when the output voltage is within  $\pm 10\%$  of the regulation point. The LTC3611 also has a  $V_{ON}$  pin that allows the on-time to be adjusted. Tying the  $V_{ON}$  pin high results in lower values for  $R_{ON}$  which is useful in high  $V_{OUT}$  applications. The  $V_{ON}$  pin also provides a means to adjust the on-time to maintain constant frequency operation in applications where  $V_{OUT}$  changes and to correct minor frequency shifts with changes in load current.

### $V_{RNG}$ Pin and $I_{LIMIT}$ Adjust

The  $V_{RNG}$  pin is used to adjust the maximum inductor valley current, which in turn determines the maximum average output current that the LTC3611 can deliver. The maximum output current is given by:

$$I_{OUT(MAX)} = I_{VALLEY(MAX)} + 1/2 \Delta I_L$$

The  $I_{VALLEY(MAX)}$  is shown in the figure “Maximum Valley Current Limit vs  $V_{RNG}$  Voltage” in the Typical Performance Characteristics.

An external resistor divider from  $INTV_{CC}$  can be used to set the voltage on the  $V_{RNG}$  pin from 1V to 1.4V, or it can be simply tied to ground for a default value equivalent to 0.7V. Do not float the  $V_{RNG}$  pin.

### Operating Frequency

The choice of operating frequency is a trade-off between efficiency and component size. Low frequency operation improves efficiency by reducing MOSFET switching losses but requires larger inductance and/or capacitance in order to maintain low output ripple voltage.

The operating frequency of LTC3611 applications is determined implicitly by the one-shot timer that controls the on-time,  $t_{ON}$ , of the top MOSFET switch. The on-time is set by the current into the  $I_{ON}$  pin and the voltage at the  $V_{ON}$  pin according to:

$$t_{ON} = \frac{V_{VON}}{I_{ION}} (10pF)$$

Tying a resistor  $R_{ON}$  from  $V_{IN}$  to the  $I_{ON}$  pin yields an on-time inversely proportional to  $V_{IN}$ . The current out of the  $I_{ON}$  pin is:

$$I_{ION} = \frac{V_{IN}}{R_{ON}}$$

For a step-down converter, this results in approximately constant frequency operation as the input supply varies:

$$f = \frac{V_{OUT}}{V_{VON} R_{ON} (10pF)} \text{ [Hz]}$$

To hold frequency constant during output voltage changes, tie the  $V_{ON}$  pin to  $V_{OUT}$  or to a resistive divider from  $V_{OUT}$  when  $V_{OUT} > 2.4V$ . The  $V_{ON}$  pin has internal clamps that limit its input to the one-shot timer. If the pin is tied below 0.7V, the input to the one-shot is clamped at 0.7V. Similarly, if the pin is tied above 2.4V, the input is clamped at 2.4V. In high  $V_{OUT}$  applications, tying  $V_{ON}$  to  $INTV_{CC}$  so that the comparator input is 2.4V results in a lower value for

## APPLICATIONS INFORMATION

$R_{ON}$ . Figures 1a and 1b show how  $R_{ON}$  relates to switching frequency for several common output voltages.

Because the voltage at the  $I_{ON}$  pin is about 0.7V, the current into this pin is not exactly inversely proportional to  $V_{IN}$ , especially in applications with lower input voltages. To correct for this error, an additional resistor,  $R_{ON2}$ , connected from the  $I_{ON}$  pin to the 5V  $INTV_{CC}$  supply will further stabilize the frequency.

$$R_{ON2} = \frac{5V}{0.7V} R_{ON}$$

Changes in the load current magnitude will also cause frequency shift. Parasitic resistance in the MOSFET

switches and inductor reduce the effective voltage across the inductance, resulting in increased duty cycle as the load current increases. By lengthening the on-time slightly as current increases, constant frequency operation can be maintained. This is accomplished with a resistive divider from the  $I_{TH}$  pin to the  $V_{ON}$  pin and  $V_{OUT}$ . The values required will depend on the parasitic resistances in the specific application. A good starting point is to feed about 25% of the voltage change at the  $I_{TH}$  pin to the  $V_{ON}$  pin as shown in Figure 2a. Place capacitance on the  $V_{ON}$  pin to filter out the  $I_{TH}$  variations at the switching frequency. The resistor load on  $I_{TH}$  reduces the DC gain of the error amp and degrades load regulation, which can be avoided by using the PNP emitter follower of Figure 2b.

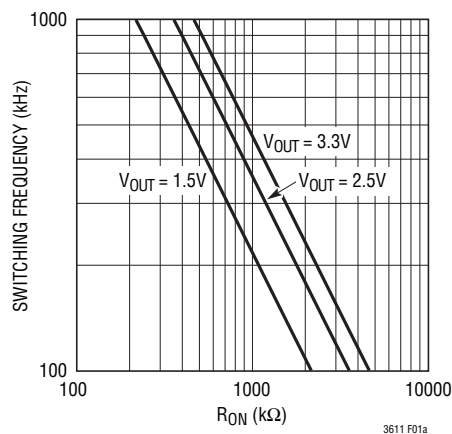


Figure 1a. Switching Frequency vs  $R_{ON}$  ( $V_{ON} = 0V$ )

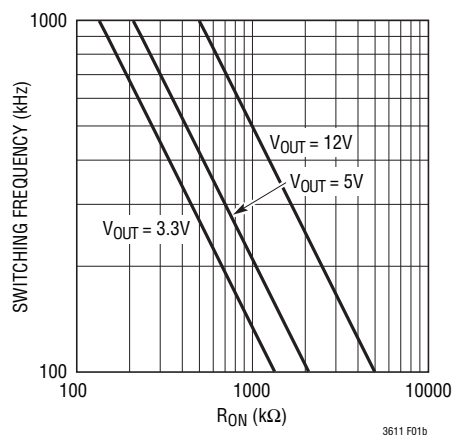


Figure 1b. Switching Frequency vs  $R_{ON}$  ( $V_{ON} = INTV_{CC}$ )

## APPLICATIONS INFORMATION

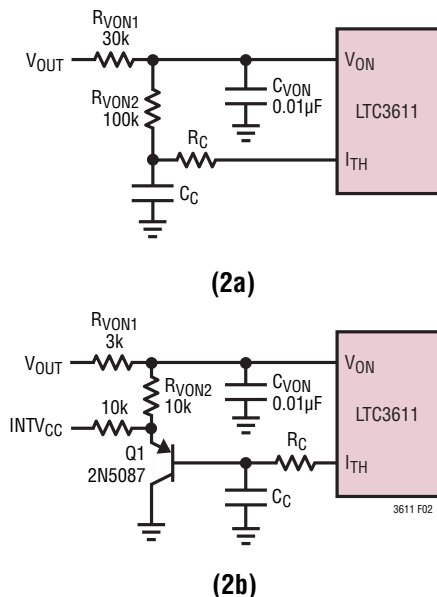


Figure 2. Correcting Frequency Shift with Load Current Changes

## Minimum Off-time and Dropout Operation

The minimum off-time,  $t_{OFF(MIN)}$ , is the smallest amount of time that the LTC3611 is capable of turning on the bottom MOSFET, tripping the current comparator and turning the MOSFET back off. This time is generally about 250ns. The minimum off-time limit imposes a maximum duty cycle of  $t_{ON}/(t_{ON} + t_{OFF(MIN)})$ . If the maximum duty cycle is reached, due to a dropping input voltage for example, then the output will drop out of regulation. The minimum input voltage to avoid dropout is:

$$V_{IN(MIN)} = V_{OUT} \frac{t_{ON} + t_{OFF(MIN)}}{t_{ON}}$$

A plot of maximum duty cycle vs frequency is shown in Figure 3.

## Setting the Output Voltage

The LTC3611 develops a 0.6V reference voltage between the feedback pin,  $V_{FB}$ , and the signal ground as shown in Figure 6. The output voltage is set by a resistive divider according to the following formula:

$$V_{OUT} = 0.6V \left( 1 + \frac{R2}{R1} \right)$$

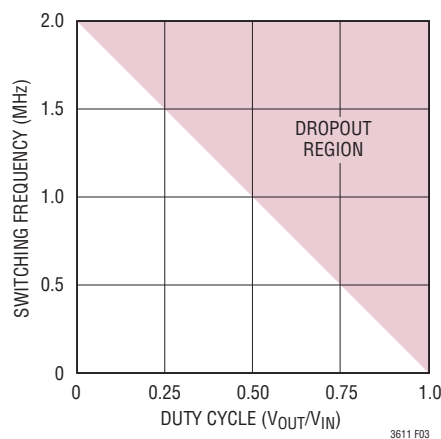


Figure 3. Maximum Switching Frequency vs Duty Cycle

To improve the frequency response, a feedforward capacitor  $C1$  may also be used. Great care should be taken to route the  $V_{FB}$  line away from noise sources, such as the inductor or the SW line.

## Inductor Selection

Given the desired input and output voltages, the inductor value and operating frequency determine the ripple current:

$$\Delta I_L = \left( \frac{V_{OUT}}{f L} \right) \left( 1 - \frac{V_{OUT}}{V_{IN}} \right)$$

Lower ripple current reduces core losses in the inductor, ESR losses in the output capacitors and output voltage ripple. Highest efficiency operation is obtained at low frequency with small ripple current. However, achieving this requires a large inductor. There is a trade-off between component size, efficiency and operating frequency.

A reasonable starting point is to choose a ripple current that is about 40% of  $I_{OUT(MAX)}$ . The largest ripple current occurs at the highest  $V_{IN}$ . To guarantee that ripple current does not exceed a specified maximum, the inductance should be chosen according to:

$$L = \left( \frac{V_{OUT}}{f \Delta I_{L(MAX)}} \right) \left( 1 - \frac{V_{OUT}}{V_{IN(MAX)}} \right)$$

## APPLICATIONS INFORMATION

Once the value for L is known, the type of inductor must be selected. High efficiency converters generally cannot afford the core loss found in low cost powdered iron cores. A variety of inductors designed for high current, low voltage applications are available from manufacturers such as Sumida, Panasonic, Coiltronics, Coilcraft and Toko.

### $C_{IN}$ and $C_{OUT}$ Selection

The input capacitance,  $C_{IN}$ , is required to filter the square wave current at the drain of the top MOSFET. Use a low ESR capacitor sized to handle the maximum RMS current.

$$I_{RMS} \cong I_{OUT(MAX)} \frac{V_{OUT}}{V_{IN}} \sqrt{\frac{V_{IN}}{V_{OUT}} - 1}$$

This formula has a maximum at  $V_{IN} = 2V_{OUT}$ , where  $I_{RMS} = I_{OUT(MAX)}/2$ . This simple worst-case condition is commonly used for design because even significant deviations do not offer much relief. Note that ripple current ratings from capacitor manufacturers are often based on only 2000 hours of life which makes it advisable to derate the capacitor.

The selection of  $C_{OUT}$  is primarily determined by the ESR required to minimize voltage ripple and load step transients. The output ripple  $\Delta V_{OUT}$  is approximately bounded by:

$$\Delta V_{OUT} \leq \Delta I_L \left( ESR + \frac{1}{8fC_{OUT}} \right)$$

Since  $\Delta I_L$  increases with input voltage, the output ripple is highest at maximum input voltage. Typically, once the ESR requirement is satisfied, the capacitance is adequate for filtering and has the necessary RMS current rating.

Multiple capacitors placed in parallel may be needed to meet the ESR and RMS current handling requirements. Dry tantalum, special polymer, aluminum electrolytic and ceramic capacitors are all available in surface mount packages. Special polymer capacitors offer very low ESR but have lower capacitance density than other types. Tantalum

capacitors have the highest capacitance density but it is important to only use types that have been surge tested for use in switching power supplies. Aluminum electrolytic capacitors have significantly higher ESR, but can be used in cost-sensitive applications providing that consideration is given to ripple current ratings and long-term reliability. Ceramic capacitors have excellent low ESR characteristics but can have a high voltage coefficient and audible piezoelectric effects. The high Q of ceramic capacitors with trace inductance can also lead to significant ringing. When used as input capacitors, care must be taken to ensure that ringing from inrush currents and switching does not pose an overvoltage hazard to the power switches and controller. To dampen input voltage transients, add a small 5 $\mu$ F to 50 $\mu$ F aluminum electrolytic capacitor with an ESR in the range of 0.5 $\Omega$  to 2 $\Omega$ . High performance through-hole capacitors may also be used, but an additional ceramic capacitor in parallel is recommended to reduce the effect of their lead inductance.

### Top MOSFET Driver Supply ( $C_B$ , $D_B$ )

An external bootstrap capacitor,  $C_B$ , connected to the BOOST pin supplies the gate drive voltage for the top MOSFET. This capacitor is charged through diode  $D_B$  from  $INTV_{CC}$  when the switch node is low. When the top MOSFET turns on, the switch node rises to  $V_{IN}$  and the BOOST pin rises to approximately  $V_{IN} + INTV_{CC}$ . The boost capacitor needs to store about 100 times the gate charge required by the top MOSFET. In most applications an 0.1 $\mu$ F to 0.47 $\mu$ F, X5R or X7R dielectric capacitor is adequate.

### Discontinuous Mode Operation and FCB Pin

The FCB pin determines whether the bottom MOSFET remains on when current reverses in the inductor. Tying this pin above its 0.6V threshold enables discontinuous operation where the bottom MOSFET turns off when inductor current reverses. The load current at which current reverses and discontinuous operation begins depends on the amplitude of the inductor ripple current and will vary

## APPLICATIONS INFORMATION

with changes in  $V_{IN}$ . Tying the FCB pin below the 0.6V threshold forces continuous synchronous operation, allowing current to reverse at light loads and maintaining high frequency operation.

In addition to providing a logic input to force continuous operation, the FCB pin provides a means to maintain a flyback winding output when the primary is operating in discontinuous mode. The secondary output  $V_{OUT2}$  is normally set as shown in Figure 4 by the turns ratio  $N$  of the transformer. However, if the controller goes into discontinuous mode and halts switching due to a light primary load current, then  $V_{OUT2}$  will droop. An external resistor divider from  $V_{OUT2}$  to the FCB pin sets a minimum voltage  $V_{OUT2(MIN)}$  below which continuous operation is forced until  $V_{OUT2}$  has risen above its minimum:

$$V_{OUT2(MIN)} = 0.6V \left( 1 + \frac{R4}{R3} \right)$$

### Fault Conditions: Current Limit and Foldback

The LTC3611 has a current mode controller which inherently limits the cycle-by-cycle inductor current not only in steady state operation but also in transient. To further limit current in the event of a short circuit to ground, the LTC3611 includes foldback current limiting. If the output falls by more than 25%, then the maximum sense voltage is progressively lowered to about one sixth of its full value.

### INTV<sub>CC</sub> Regulator and EXTV<sub>CC</sub> Connection

An internal P-channel low dropout regulator produces the 5V supply that powers the drivers and internal circuitry within the LTC3611. The INTV<sub>CC</sub> pin can supply up to 50mA RMS and must be bypassed to ground with a minimum of 4.7 $\mu$ F tantalum or ceramic capacitor. Good bypassing is necessary to supply the high transient currents required by the MOSFET gate drivers.

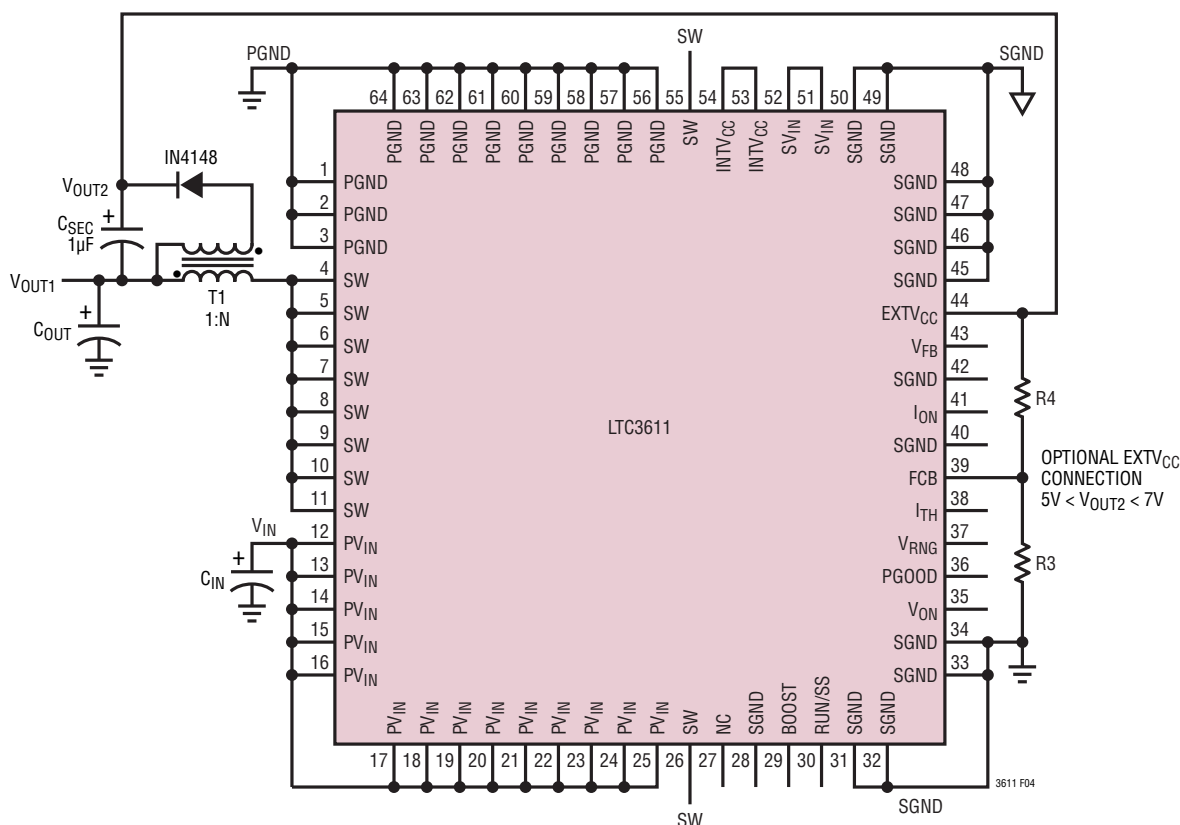


Figure 4. Secondary Output Loop and EXTV<sub>CC</sub> Connection

## APPLICATIONS INFORMATION

The EXTV<sub>CC</sub> pin can be used to provide MOSFET gate drive and control power from the output or another external source during normal operation. Whenever the EXTV<sub>CC</sub> pin is above 4.7V the internal 5V regulator is shut off and an internal 50mA P-channel switch connects the EXTV<sub>CC</sub> pin to INTV<sub>CC</sub>. INTV<sub>CC</sub> power is supplied from EXTV<sub>CC</sub> until this pin drops below 4.5V. Do not apply more than 7V to the EXTV<sub>CC</sub> pin and ensure that EXTV<sub>CC</sub> ≤ V<sub>IN</sub>. The following list summarizes the possible connections for EXTV<sub>CC</sub>:

1. EXTV<sub>CC</sub> grounded. INTV<sub>CC</sub> is always powered from the internal 5V regulator.
2. EXTV<sub>CC</sub> connected to an external supply. A high efficiency supply compatible with the MOSFET gate drive requirements (typically 5V) can improve overall efficiency.
3. EXTV<sub>CC</sub> connected to an output derived boost network. The low voltage output can be boosted using a charge pump or flyback winding to greater than 4.7V. The system will start-up using the internal linear regulator until the boosted output supply is available.

### Soft-Start and Latchoff with the RUN/SS Pin

The RUN/SS pin provides a means to shut down the LTC3611 as well as a timer for soft-start and overcurrent latchoff. Pulling the RUN/SS pin below 0.8V puts the LTC3611 into a low quiescent current shutdown (I<sub>Q</sub> < 30μA). Releasing the pin allows an internal 1.2μA current source to charge up the external timing capacitor, C<sub>SS</sub>. If RUN/SS has been pulled all the way to ground, there is a delay before starting of about:

$$t_{\text{DELAY}} = \frac{1.5\text{V}}{1.2\mu\text{A}} C_{\text{SS}} = (1.3\text{s}/\mu\text{F}) C_{\text{SS}}$$

When the voltage on RUN/SS reaches 1.5V, the LTC3611 begins operating with a clamp on I<sub>TH</sub> of approximately 0.9V. As the RUN/SS voltage rises to 3V, the clamp on I<sub>TH</sub> is raised until its full 2.4V range is available. This takes an

additional 1.3s/μF, during which the load current is folded back until the output reaches 75% of its final value.

After the controller has been started and given adequate time to charge up the output capacitor, C<sub>SS</sub> is used as a short-circuit timer. After the RUN/SS pin charges above 4V, if the output voltage falls below 75% of its regulated value, then a short-circuit fault is assumed. A 1.8μA current then begins discharging C<sub>SS</sub>. If the fault condition persists until the RUN/SS pin drops to 3.5V, then the controller turns off both power MOSFETs, shutting down the converter permanently. The RUN/SS pin must be actively pulled down to ground in order to restart operation.

The overcurrent protection timer requires that the soft-start timing capacitor, C<sub>SS</sub>, be made large enough to guarantee that the output is in regulation by the time C<sub>SS</sub> has reached the 4V threshold. In general, this will depend upon the size of the output capacitance, output voltage and load current characteristic. A minimum soft-start capacitor can be estimated from:

$$C_{\text{SS}} > C_{\text{OUT}} V_{\text{OUT}} R_{\text{SENSE}} (10^{-4} [\text{F}/\text{V s}])$$

Generally 0.1μF is more than sufficient.

Overcurrent latchoff operation is not always needed or desired. Load current is already limited during a short circuit by the current foldback circuitry and latchoff operation can prove annoying during troubleshooting. The feature can be overridden by adding a pull-up current greater than 5μA to the RUN/SS pin. The additional current prevents the discharge of C<sub>SS</sub> during a fault and also shortens the soft-start period. Using a resistor to V<sub>IN</sub> as shown in Figure 5a is simple, but slightly increases shutdown current. Connecting a resistor to INTV<sub>CC</sub> as shown in Figure 5b eliminates the additional shutdown current, but requires a diode to isolate C<sub>SS</sub>. Any pull-up network must be able to pull RUN/SS above the 4.2V maximum threshold of the latchoff circuit and overcome the 4μA maximum discharge current.



## APPLICATIONS INFORMATION

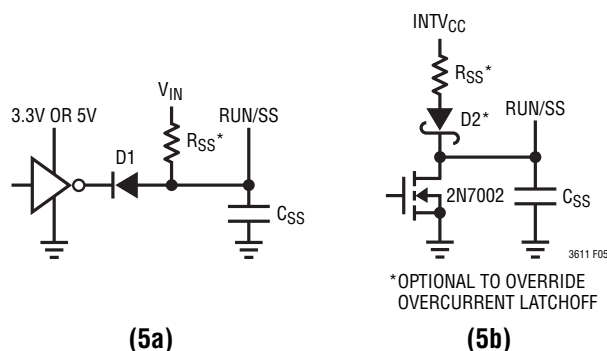


Figure 5. RUN/SS Pin Interfacing with Latchoff Defeated

## Efficiency Considerations

The percent efficiency of a switching regulator is equal to the output power divided by the input power times 100%. It is often useful to analyze individual losses to determine what is limiting the efficiency and which change would produce the most improvement. Although all dissipative elements in the circuit produce losses, four main sources account for most of the losses in LTC3611 circuits:

1. DC  $I^2R$  losses. These arise from the resistance of the internal resistance of the MOSFETs, inductor and PC board traces and cause the efficiency to drop at high output currents. In continuous mode the average output current flows through L, but is chopped between the top and bottom MOSFETs. If the two MOSFETs have approximately the same  $R_{DS(ON)}$ , then the DC  $I^2R$  loss for one MOSFET can simply be determined by  $[R_{DS(ON)} + R_L] \cdot I_O$ .
2. Transition loss. This loss arises from the brief amount of time the top MOSFET spends in the saturated region during switch node transitions. It depends upon the input voltage, load current, driver strength and MOSFET capacitance, among other factors. The loss is significant at input voltages above 20V and can be estimated from:

$$\text{Transition Loss} \cong (1.7A^{-1}) V_{IN}^2 I_{OUT} C_{RSS} f$$

3.  $INTV_{CC}$  current. This is the sum of the MOSFET driver and control currents. This loss can be reduced by supplying  $INTV_{CC}$  current through the  $EXTV_{CC}$  pin from a high efficiency source, such as an output derived boost network or alternate supply if available.

4.  $C_{IN}$  loss. The input capacitor has the difficult job of filtering the large RMS input current to the regulator. It must have a very low ESR to minimize the AC  $I^2R$  loss and sufficient capacitance to prevent the RMS current from causing additional upstream losses in fuses or batteries.

Other losses, including  $C_{OUT}$  ESR loss, Schottky diode D1 conduction loss during dead time and inductor core loss generally account for less than 2% additional loss.

When making adjustments to improve efficiency, the input current is the best indicator of changes in efficiency. If you make a change and the input current decreases, then the efficiency has increased. If there is no change in input current, then there is no change in efficiency.

## Checking Transient Response

The regulator loop response can be checked by looking at the load transient response. Switching regulators take several cycles to respond to a step in load current. When a load step occurs,  $V_{OUT}$  immediately shifts by an amount equal to  $\Delta I_{LOAD}$  (ESR), where ESR is the effective series resistance of  $C_{OUT}$ .  $\Delta I_{LOAD}$  also begins to charge or discharge  $C_{OUT}$  generating a feedback error signal used by the regulator to return  $V_{OUT}$  to its steady-state value. During this recovery time,  $V_{OUT}$  can be monitored for overshoot or ringing that would indicate a stability problem. The  $I_{TH}$  pin external components shown in Figure 6 will provide adequate compensation for most applications. For a detailed explanation of switching control loop theory see Application Note 76.

## APPLICATIONS INFORMATION

### Design Example

As a design example, take a supply with the following specifications:  $V_{IN} = 5V$  to  $36V$  (12V nominal),  $V_{OUT} = 2.5V \pm 5\%$ ,  $I_{OUT(MAX)} = 10A$ ,  $f = 550kHz$ . First, calculate the timing resistor with  $V_{ON} = V_{OUT}$ :

$$R_{ON} = \frac{2.5V}{(2.4)(550kHz)(10\mu F)} = 187k$$

and choose the inductor for about 40% ripple current at the maximum  $V_{IN}$ :

$$L = \frac{2.5V}{(550kHz)(0.4)(10A)} \left( 1 - \frac{2.5V}{36V} \right) = 1\mu H$$

Selecting a standard value of  $1\mu H$  results in a maximum ripple current of:

$$\Delta I_L = \frac{2.5V}{(550kHz)(1\mu H)} \left( 1 - \frac{2.5V}{12V} \right) = 3.6A$$

Next, set up  $V_{RNG}$  voltage and check the  $I_{LIMIT}$ . Tying  $V_{RNG}$  to 1V will set the typical current limit to 15A, and tying  $V_{RNG}$  to GND will result in a typical current around 10A.  $C_{IN}$  is chosen for an RMS current rating of about 5A at  $85^\circ C$ . The output capacitors are chosen for a low ESR of  $0.013\Omega$  to minimize output voltage changes due to inductor ripple current and load steps. The ripple voltage will be only:

$$\begin{aligned} \Delta V_{OUT(RIPPLE)} &= \Delta I_L(MAX) (ESR) \\ &= (3.6A) (0.013\Omega) = 47mV \end{aligned}$$

However, a 0A to 10A load step will cause an output change of up to:

$$\Delta V_{OUT(STEP)} = \Delta I_{LOAD} (ESR) = (10A) (0.013\Omega) = 130mV$$

An optional  $22\mu F$  ceramic output capacitor is included to minimize the effect of ESL in the output ripple. The complete circuit is shown in Figure 6.

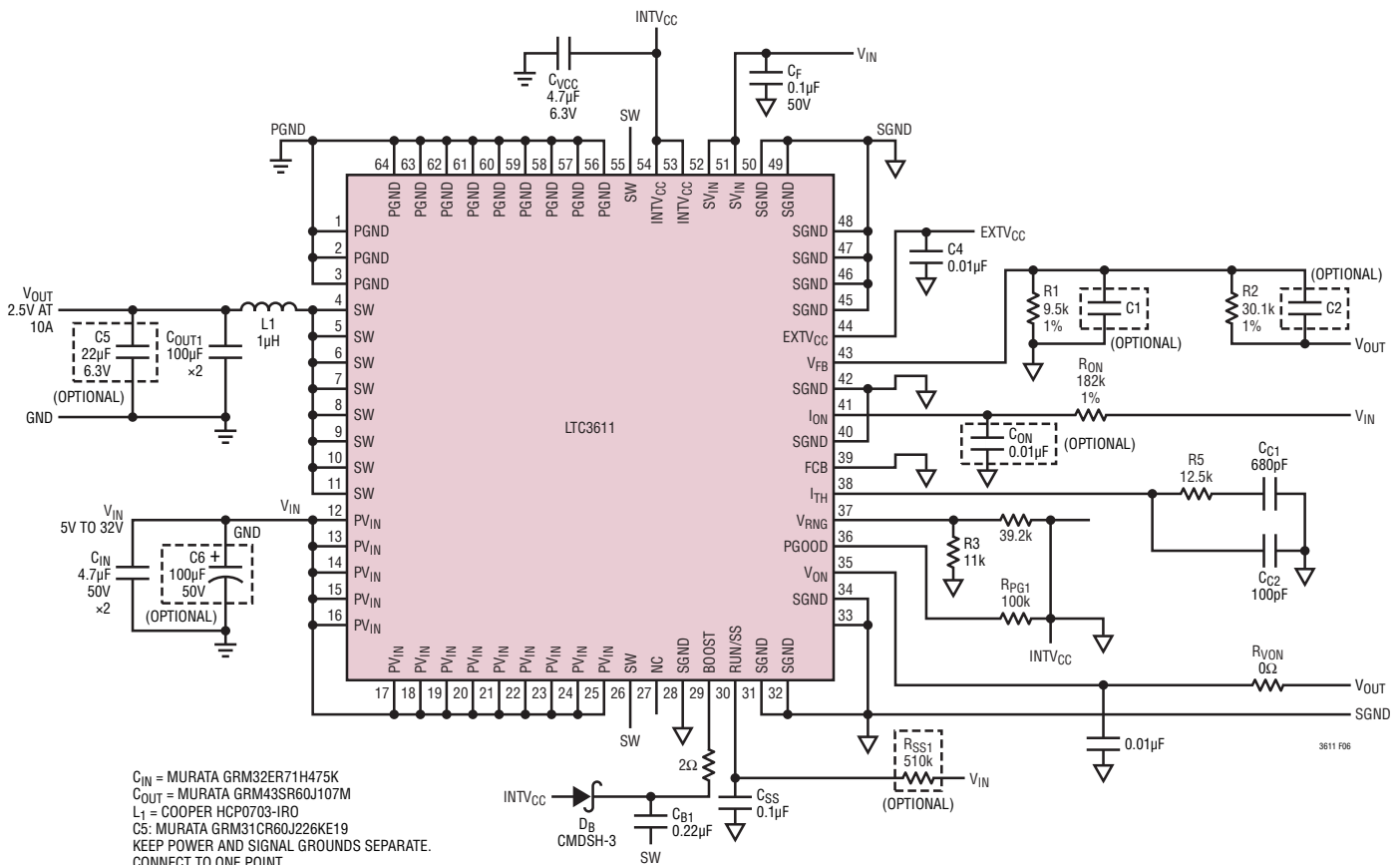


Figure 6. Design Example: 5V to 32V Input to 2.5V/10A at 550kHz

## APPLICATIONS INFORMATION

### How to Reduce SW Ringing

As with any switching regulator, there will be voltage ringing on the SW node, especially for high input voltages. The ringing amplitude and duration is dependent on the switching speed (gate drive), layout (parasitic inductance) and MOSFET output capacitance. This ringing contributes to the overall EMI, noise and high frequency ripple. One way to reduce ringing is to optimize layout. A good layout minimizes parasitic inductance. Adding RC snubbers from SW to GND is also an effective way to reduce ringing. Finally, adding a resistor in series with the BOOST pin will slow down the MOSFET turn-on slew rate to dampen ringing, but at the cost of reduced efficiency. Note that since the IC is buffered from the high frequency transients by PCB and bondwire inductances, the ringing by itself is normally not a concern for controller reliability.

### PC Board Layout Checklist

When laying out a PC board follow one of the two suggested approaches. The simple PC board layout requires a dedicated ground plane layer. Also, for higher currents, a multilayer board is recommended to help with heat sinking of power components.

- The ground plane layer should not have any traces and it should be as close as possible to the layer with the LTC3611.
- Place  $C_{IN}$  and  $C_{OUT}$  all in one compact area, close to the LTC3611. It may help to have some components on the bottom side of the board.
- Keep small-signal components close to the LTC3611.
- Ground connections (including LTC3611 SGND and PGND) should be made through immediate vias to the ground plane. Use several larger vias for power components.
- Use a compact plane for the switch node (SW) to improve cooling of the MOSFETs and to keep EMI down.
- Use planes for  $V_{IN}$  and  $V_{OUT}$  to maintain good voltage filtering and to keep power losses low.
- Flood all unused areas on all layers with copper. Flooding with copper reduces the temperature rise of power components. Connect these copper areas to any DC net ( $V_{IN}$ ,  $V_{OUT}$ , GND or to any other DC rail in your system).

When laying out a printed circuit board without a ground plane, use the following checklist to ensure proper operation of the controller. These items are also illustrated in Figure 7.

- Segregate the signal and power grounds. All small-signal components should return to the SGND pin at one point, which is then tied to the PGND pin.
- Connect the input capacitor(s),  $C_{IN}$ , close to the IC. This capacitor carries the MOSFET AC current.
- Keep the high dV/dT SW, BOOST and TG nodes away from sensitive small-signal nodes.
- Connect the INTV<sub>CC</sub> decoupling capacitor,  $C_{VCC}$ , closely to the INTV<sub>CC</sub> and PGND pins.
- Connect the top driver boost capacitor,  $C_B$ , closely to the BOOST and SW pins.
- Connect the  $V_{IN}$  pin decoupling capacitor,  $C_F$ , closely to the  $V_{IN}$  and PGND pins.

APPLICATIONS INFORMATION

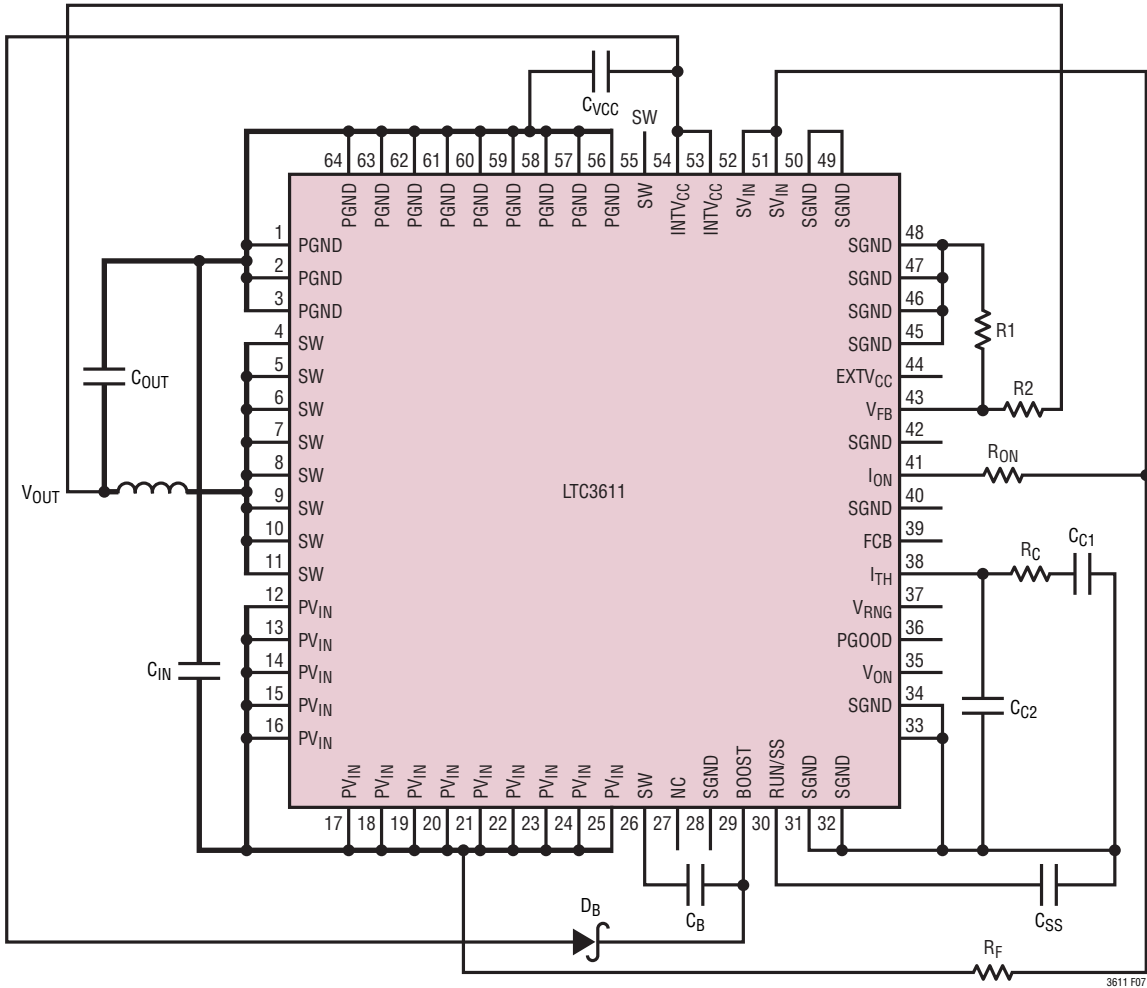
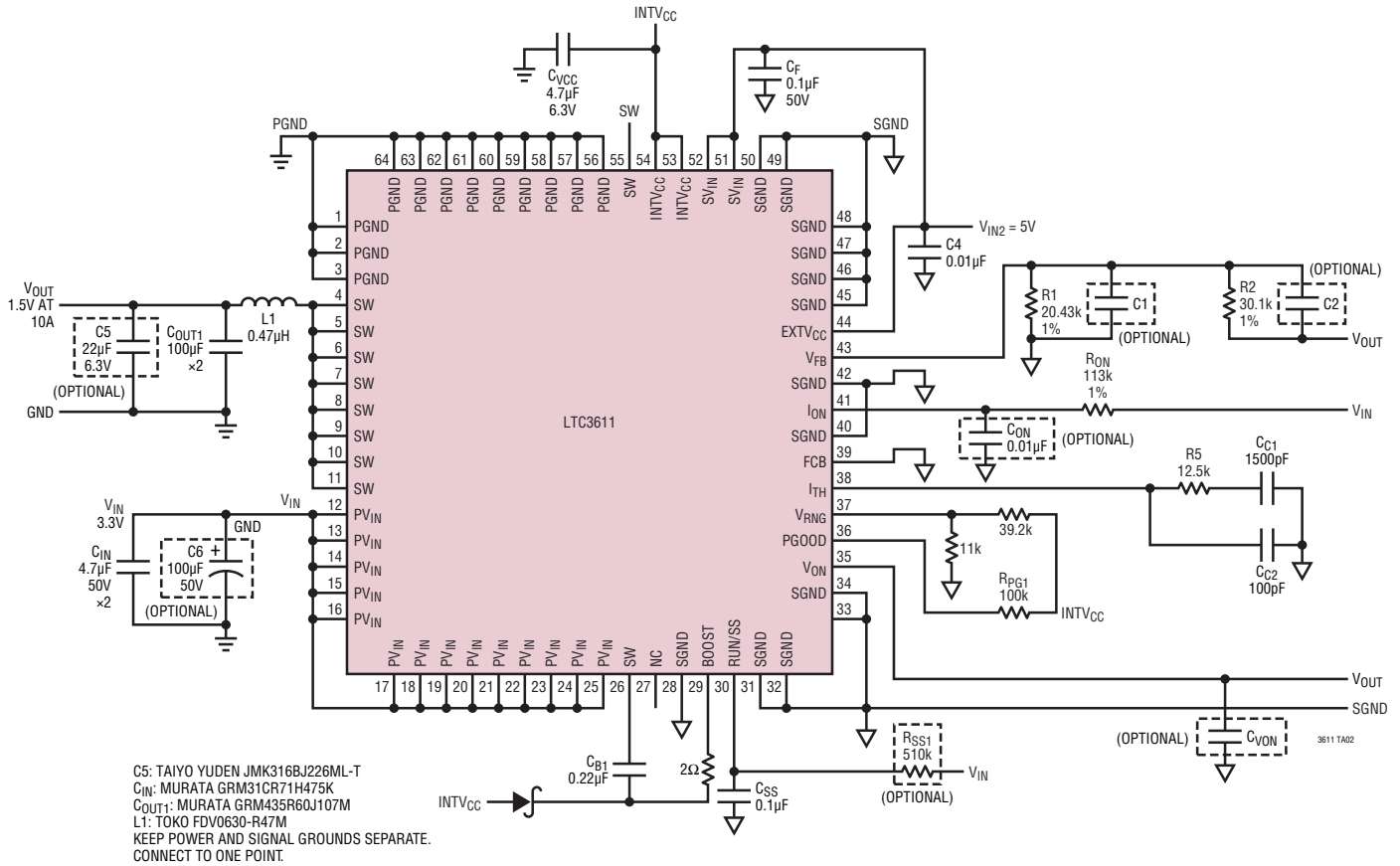


Figure 7. LTC3611 Layout Diagram

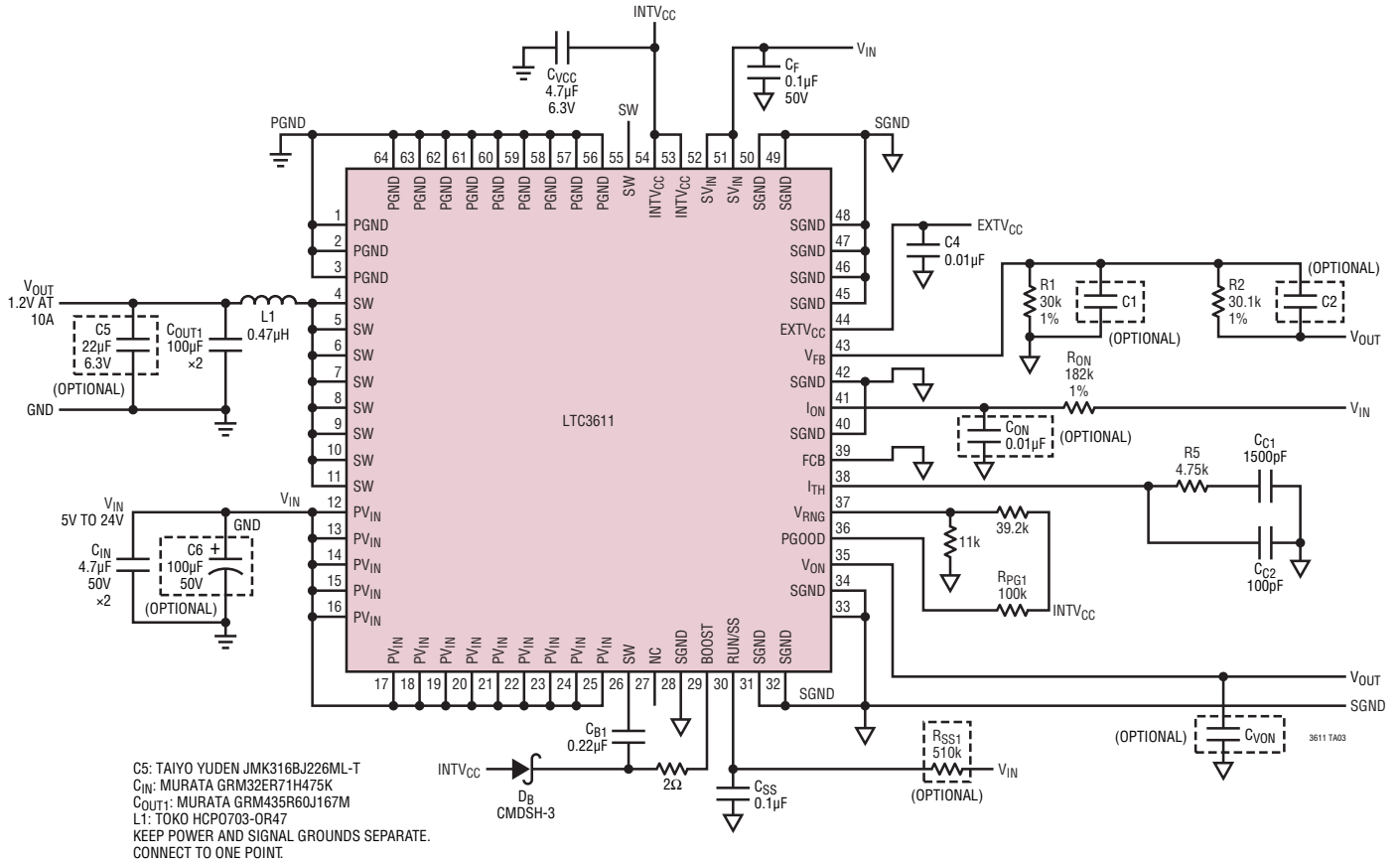
TYPICAL APPLICATIONS

3.3V Input to 1.5V/10A at 750kHz



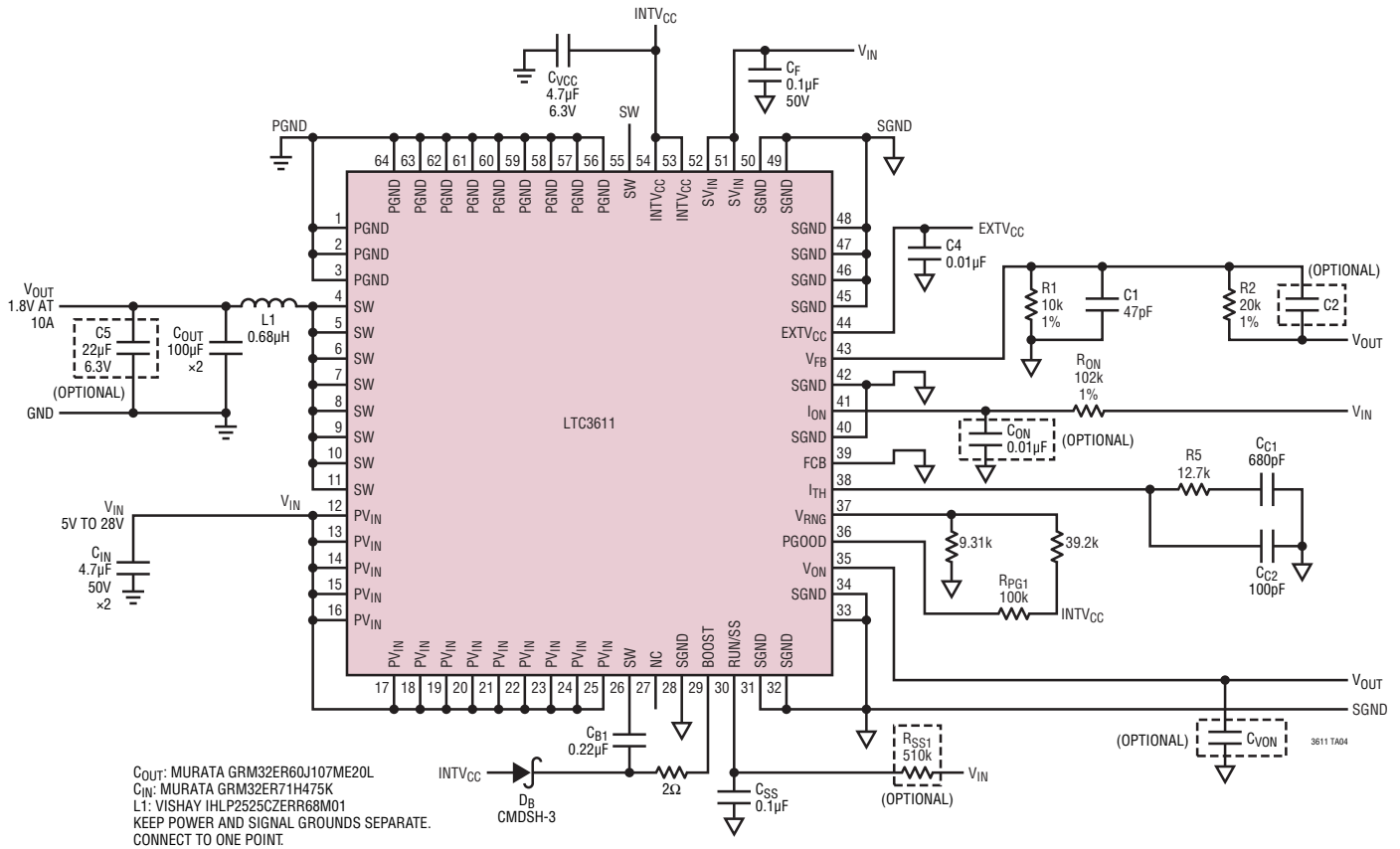
## TYPICAL APPLICATIONS

5V to 24V Input to 1.2V/10A at 550kHz



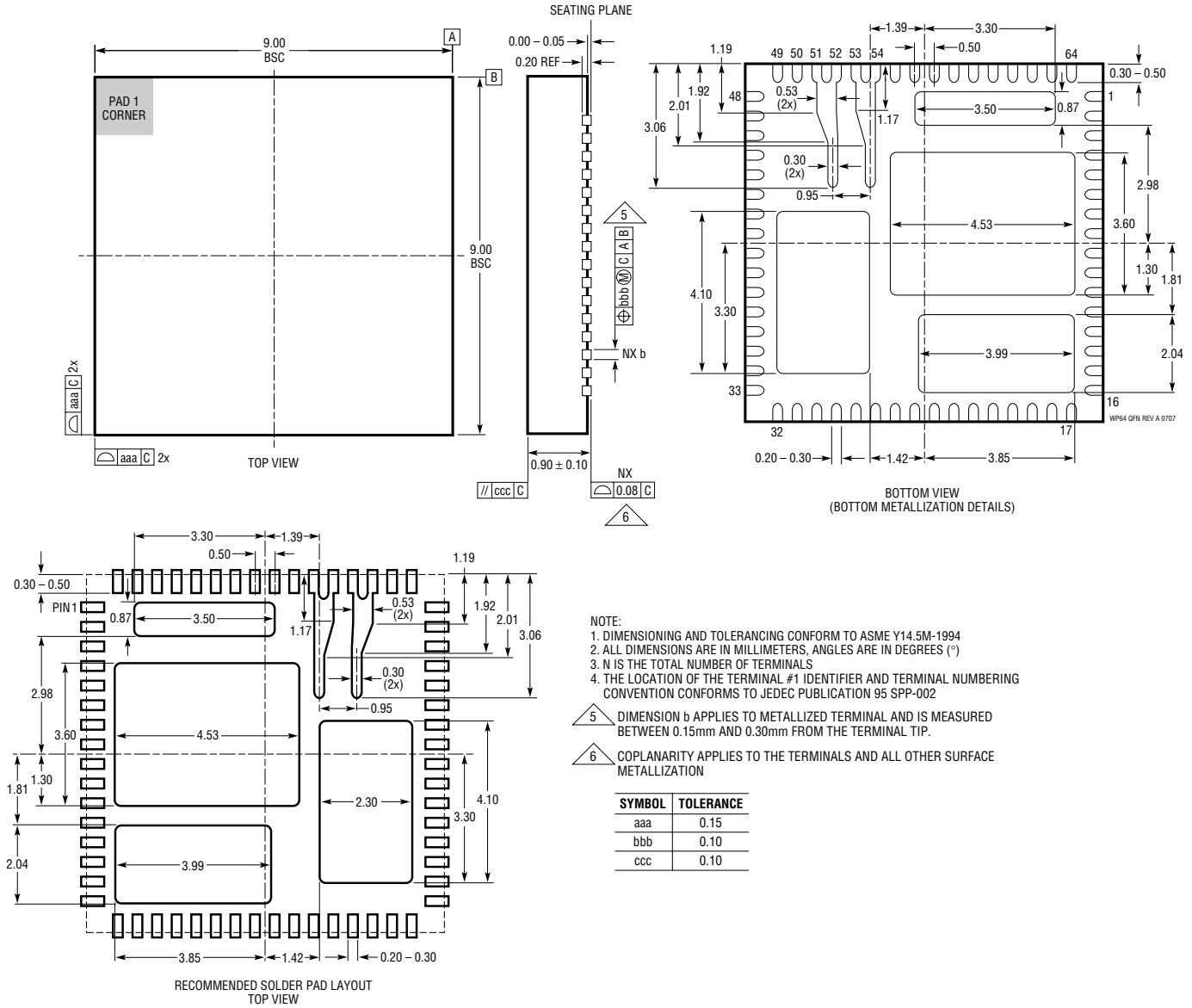
TYPICAL APPLICATIONS

5V to 28V Input to 1.8V/10A All Ceramic 1MHz



# PACKAGE DESCRIPTION

**WP Package**  
**64-Lead QFN Multipad (9mm × 9mm)**  
 (Reference LTC DWG # 05-08-1812 Rev A)



- NOTE:
1. DIMENSIONING AND TOLERANCING CONFORM TO ASME Y14.5M-1994
  2. ALL DIMENSIONS ARE IN MILLIMETERS, ANGLES ARE IN DEGREES (°)
  3. N IS THE TOTAL NUMBER OF TERMINALS
  4. THE LOCATION OF THE TERMINAL #1 IDENTIFIER AND TERMINAL NUMBERING CONVENTION CONFORMS TO JEDEC PUBLICATION 95 SPP-002
- 5 DIMENSION b APPLIES TO METALLIZED TERMINAL AND IS MEASURED BETWEEN 0.15mm AND 0.30mm FROM THE TERMINAL TIP.
  - 6 COPLANARITY APPLIES TO THE TERMINALS AND ALL OTHER SURFACE METALLIZATION

| SYMBOL | TOLERANCE |
|--------|-----------|
| aaa    | 0.15      |
| bbb    | 0.10      |
| ccc    | 0.10      |

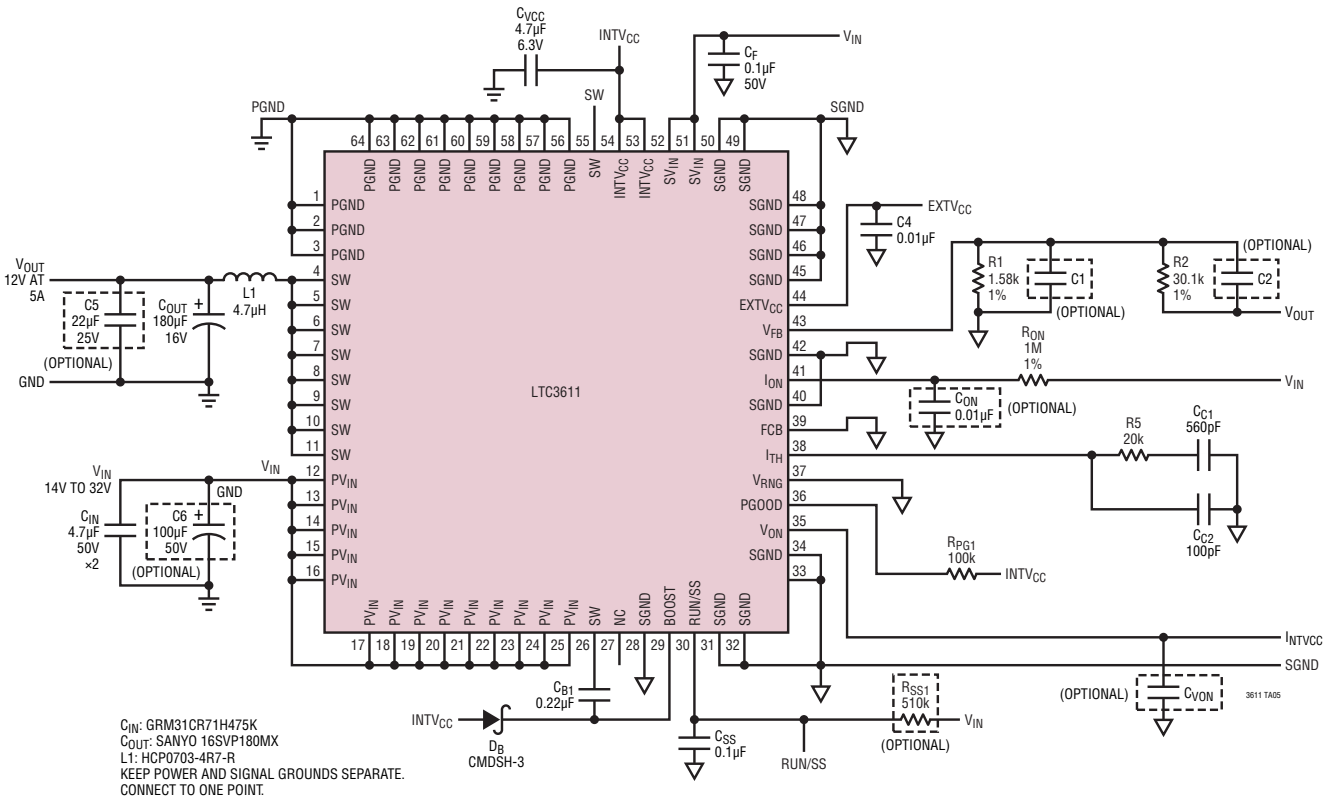


**REVISION HISTORY** (Revision history begins at Rev D)

| REV | DATE  | DESCRIPTION  | PAGE NUMBER |
|-----|-------|--|-------------|
| D   | 06/10 | Updated SW voltage range in Absolute Maximum Ratings.<br>Note 4 updated. | 2<br>4      |

## TYPICAL APPLICATION

14V to 32V Input to 12V/5A at 500kHz



## RELATED PARTS

| PART NUMBER | DESCRIPTION  | COMMENTS   |
|-------------|--|--|
| LTC1778     | No R <sub>SENSE</sub> Current Mode Synchronous Step-Down Controller                        | Up to 97% Efficiency, V <sub>IN</sub> : 4V to 36V, 0.8V ≤ V <sub>OUT</sub> ≤ (0.9)(V <sub>IN</sub> ), I <sub>OUT</sub> Up to 20A               |
| LTC3411     | 1.25A (I <sub>OUT</sub> ), 4MHz, Synchronous Step-Down DC/DC Converter                     | 95% Efficiency, V <sub>IN</sub> : 2.5V to 5.5V, V <sub>OUT</sub> : 0.8V, I <sub>Q</sub> : 60μA, I <sub>SD</sub> : <1μA, MS Package             |
| LTC3412     | 2.5A (I <sub>OUT</sub> ) 4MHz Synchronous Step-Down DC/DC Converter                        | 95% Efficiency, V <sub>IN</sub> : 2.5V to 5.5V, V <sub>OUT(MIN)</sub> : 0.8V, I <sub>Q</sub> : 60mA, I <sub>SD</sub> : <1mA, TSSOP16E          |
| LTC3414     | 4A (I <sub>OUT</sub> ), 4MHz, Synchronous Step-Down DC/DC Converter                        | 95% Efficiency, V <sub>IN</sub> : 2.25V to 5.5V, V <sub>OUT(MIN)</sub> = 0.8V, I <sub>Q</sub> = 64μA, I <sub>SD</sub> : <1μA, TSSOP20E Package |
| LTC3418     | 8A (I <sub>OUT</sub> ), 4MHz, Synchronous Step-Down DC/DC Converter                        | 95% Efficiency, V <sub>IN</sub> : 2.25V to 5.5V, V <sub>OUT(MIN)</sub> = 0.8V, Thermally Enhanced 38-Lead QFN Package                          |
| LTC3610     | 12A Current Mode Monolithic Synchronous Step-Down Converter                                | Up to 24V Input (28V Maximum), Current Mode Extremely Fast Transient Response  |
| LTC3770     | Fast, No R <sub>SENSE</sub> Step-Down Synchronous Controller with Margining, Tracking, PLL | ±0.67% 0.6V Reference Voltage; Programmable Margining; True Current Mode; 4V ≤ V <sub>IN</sub> ≤ 32V   |
| LTC3778     | Low V <sub>OUT</sub> , No R <sub>SENSE</sub> Synchronous Step-Down Controller              | 0.6V ≤ V <sub>OUT</sub> ≤ (0.9) V <sub>IN</sub> , 4V ≤ V <sub>IN</sub> ≤ 36V, I <sub>OUT</sub> Up to 20A                                       |
| LT3800      | 60V Synchronous Step-Down Controller   | Current Mode, Output Slew Rate Control   |
| LTM4600HV   | 10A Complete Switch Mode Power Supply  | 92% Efficiency, V <sub>IN</sub> : 4.5V to 28V, V <sub>OUT</sub> : 0.6V, True Current Mode Control, Ultrafast Transient Response                |
| LTM4601HV   | 12A Complete Switch Mode Power Supply  | 92% Efficiency, V <sub>IN</sub> : 4.5V to 28V, V <sub>OUT</sub> : 0.6V, True Current Mode Control, Ultrafast Transient Response                |
| LTM4602HV   | 6A Complete Switch Mode Power Supply   | 92% Efficiency, V <sub>IN</sub> : 4.5V to 28V, V <sub>OUT</sub> : 0.6V, True Current Mode Control, Ultrafast Transient Response                |
| LTM4603HV   | 6A Complete Switch Mode Power Supply   | 93% Efficiency, V <sub>IN</sub> : 4.5V to 28V, with PLL, Output Tracking and Margining   |

3611fd