

CML Semiconductor Products

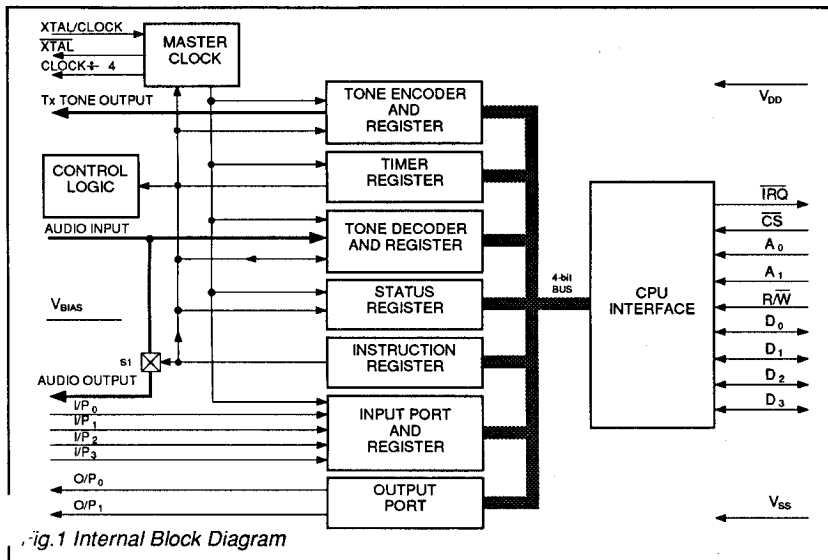
PRODUCT INFORMATION

FX203 Selcall Tone Codec with Microprocessor Interface

Publication D/203/2 October 1991
Provisional Issue

Features/Applications

- Single-Chip Selcall Codec
- CCIR, EEA or ZVEI/SZVEI Versions
- On-Chip General Purpose Timer
- Separate General Purpose 4-bit Input/2-bit Output Port
- Mobile or Handheld Selcall
- 4-bit Microprocessor I/O Data Port
- Powersave Facility
- Uses Low-Cost 4MHz Xtal
- Low-Power 5V CMOS Process



FX203

Brief Description

The FX203 is a single-chip 'N' tone Selective Call encoder-decoder peripheral intended for use with a host microprocessor. The device is available in 3 toneset formats, CCIR, EEA or ZVEI/SZVEI.

A 4-bit data I/O bus, 2-bit address, \overline{CS} , R/W and \overline{IRQ} lines are provided for connection to the microprocessor.

Separate general purpose 4-bit input and 2-bit output ports are available to allow external circuitry access to the microprocessor via this device. Functions such as 'PTT', 'Rx Squelch', 'Alert Bleeps' and 'Lamp Drivers' could operate through this facility.

An on-chip general purpose timer is provided

for such functions as Rx and Tx tone period timing. Time periods of between 10ms and 140ms in 10ms steps may be programmed via the microprocessor interface.

The FX203 reference oscillator utilizes a low-cost 4.0 MHz Xtal or externally derived clock. The divide by 4 (1.0 MHz) output may be used to drive the clock circuitry of other devices such as the FX365 CTCSS Encoder/Decoder, FX004 Voice Band Inverter, or the FX214 VSB Audio Scrambler.

The FX203 requires a single 5-volt supply and utilizes 'chip enable'/'powersave' facilities for reduced current consumption in the Standby mode.

Pin Number

Function

DIL FX203*J	Quad FX203*LG FX203*LS
1	1
2	2
3	3
4	4
5	5
6	6
7	7
8	8
9	9
10	10
11	11
12	12
13	13
14	14
15	15
16	16
17	17
18	18
19	19
20	20
21	21
22	22
23	23
24	24

* C, E, Z tonesets

V_{DD} : Positive supply rail. A single +5-volt power supply is required.

Audio Output : The received audio output, selected by the Audio Output Enable bit, D_1 , in the Instruction Register. This output could be the result of a squelch function.

Audio Input : The audio input to the Tone Decoder and audio output switching. The composite (voice and tone) received audio requires to be coupled to this pin via capacitor C_3 . See Figures 1 and 2.

V_{SS} : Negative supply rail (GND).

Xtal/Clock : The input to the clock oscillator inverter. A 4.0 MHz Xtal or externally derived clock should be connected here. See Figure 2.

$\overline{\text{Xtal}}$: The output of the 4.0 MHz clock oscillator. See Figure 2.

Clock + 4 : A 1.0 MHz ($X_1 + 4$) clock is available at this output for external use. Note the output impedance and source current limits.

$\overline{\text{CS}}$: The chip select input. A logic '0' on this pin will select the FX203. See Figure 3, Timing diagram.

$\overline{\text{IRQ}}$: The Interrupt logic output. An active interrupt is set as a logic '0'. This pin can be wire OR'd to external circuitry. An external pullup resistor may be required on this output.

Conditions that cause Interrupt Requests are:

- | | | |
|-----------------------------|---|--|
| (1) Rx Ready (tone decoded) | - | $\overline{\text{IRQ}}$ and Status bit D_0 |
| (2) Timer Cycle expired | - | $\overline{\text{IRQ}}$ and Status bit D_1 |
| (3) Input Port data change | - | $\overline{\text{IRQ}}$ and Status bit D_2 |

A_0 : Register address pins. These inputs, with the $\overline{\text{R/W}}$ input, select the internal register to be addressed via the CPU Interface ($D_0 - D_3$) using the logic states as detailed below. Register information is detailed on pages 4 and 5.

	$\overline{\text{R/W}}$	A_1	A_0	Register
	0	0	0	Tone Encode
Write	0	0	1	Instruction
	0	1	0	Timer
	1	0	0	Tone Decode
Read	1	0	1	Status
	1	1	0	Input Port

D_0 :

D_1 : The 4-bit microprocessor interface for communication with the internal registers as directed by the A_0 , A_1 and $\overline{\text{R/W}}$ inputs.

D_2 :

D_3 :

$\overline{\text{R/W}}$: The Read/Write logic input, which with the A_0 and A_1 address inputs determine the Microprocessor/ Register communication. Read = logic '1', Write = logic '0'.

Tx Tone Output : The transmitted tone output of the Tone Encoder. Tone 'F' (Notone) will cause this output to go to V_{BIAS} . When not enabled this output is high impedance.

V_{BIAS} : The output of the on-chip bias circuitry, held at $V_{DD}/2$. When the Encoder is not enabled this pin will be at V_{SS} . This pin requires to be decoupled to V_{SS} with a capacitor, C_4 .

O/P_0 : The 2-bit logic output port whose state is controlled by the Instruction O/P_1 Register (D_2 , D_3).

I/P_0 :

I/P_1 : The 4-bit logic input port. See page 5.

I/P_2 : These pins each have an internal $1M\Omega$ pullup resistor.

I/P_3 :

External Components

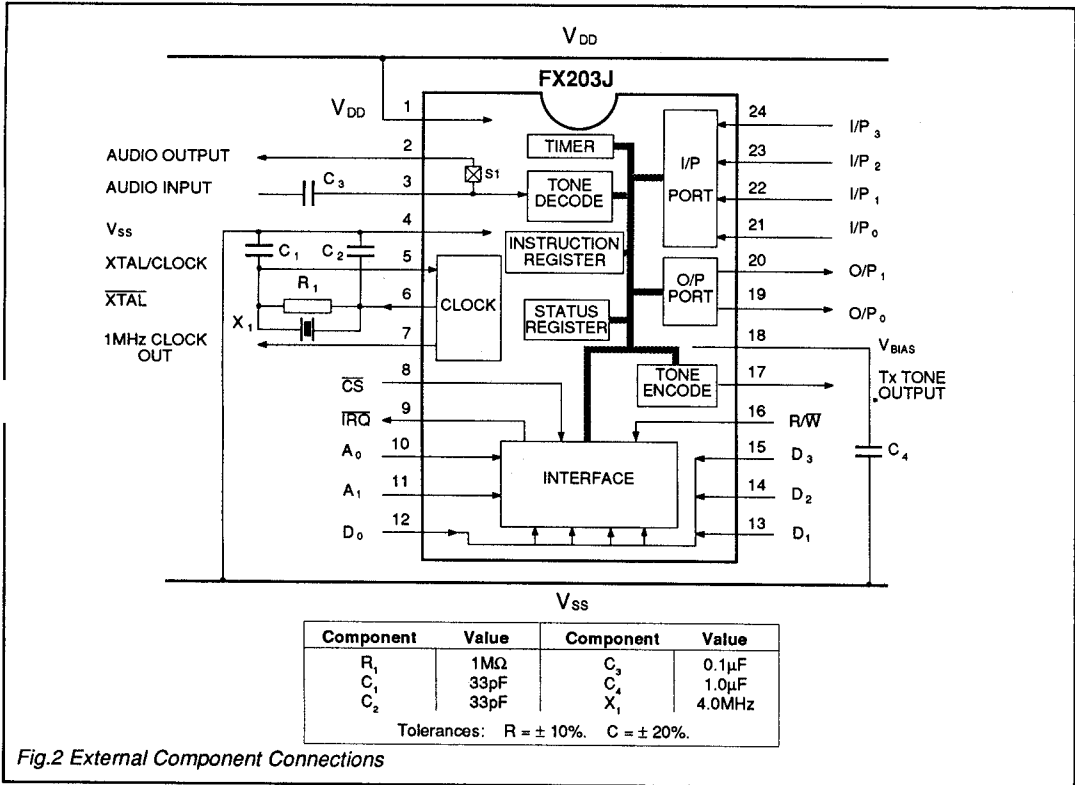


Fig.2 External Component Connections

General and Operational Notes

Power-up Arrangements

It is recommended that the following sequence be employed to set all internal registers to a start-up state upon power-up.

Write – Hex. '0' to Timer Register for a period greater than Power-Up Reset Time (TS).

The following actions clear the Status Register and reset all interrupts.

Read – Status Register.

Read – Tone Decode Register.

Read – Input Port Register.

Write – To Output Port as required.

The data in the Decoder Register is not valid until after the first active Decoder interrupt has been received.

Operation

Operation of the FX203 is Full Duplex.

The receive mode is achieved by writing any Timer setting except Hex. '0'.

The Tone Decode Register must be read before the expected arrival of the next tone, as register contents are overwritten.

Data written to the device via the CPU Interface is acted upon at the end of the Data Set-up Time (t_{DSW}), when the CS input goes high (logic '1').

The Timer may be written to at any time. The Timer is reset when data is written to it. The new Timer period starts when the CS input goes high (logic '1').

Layout

All external components (as recommended in Figure 2) should be kept close to the package.

Tracks should be kept short, particularly the Audio and V_{BIAS} inputs.

Xtal/clock and digital tracks should be kept well away from analogue circuitry. Analogue inputs and outputs should be screened wherever possible and the high level Tx Tone Output kept separate from other analogue inputs and outputs.

A "ground plane" connected to V_{SS} will assist in eliminating external pick-up.

Internal Register States

The following descriptions show the condition of each of the 6 registers used by the FX203 to communicate with both microprocessor and radio systems. Table 1 details the hexadecimal 4-bit data words used in these registers. Timing information for the CPU Interface is given in Figure 3.

Instruction Register		Write Only	$R/\bar{W} = 0$ $A_1 = 0$ $A_0 = 1$
The Instruction Register addresses the functions of the FX203			
Bit No	Logic	Function	
D ₀	1	Tx Enable :	- Enables the Transmitter circuitry.
	0		- Disables the Transmitter circuitry.
D ₁	1	Audio Output Enable :	- Switches the Audio Input to the Audio Output.
	0		- Disables the Audio Output switch (S1).
D ₂	1 or 0	Output Port O/P₀ :	- The logic state of this line.
D ₃	1 or 0	Output Port O/P₁ :	- The logic state of this line.

Tone Encode Register		Write Only	$R/\bar{W} = 0$ $A_1 = 0$ $A_0 = 0$
		D ₀ D ₁ D ₂ D ₃	
		LSB MSB	
The 4-bit Hex. word written to this register will produce the required tone (Table 1) at the TX Tone Output			

Tone Decode Register		Read Only	$R/\bar{W} = 1$ $A_1 = 0$ $A_0 = 0$
		D ₀ D ₁ D ₂ D ₃	
		LSB MSB	
The 4-bit Hex. word in this register will indicate the frequency (Table 1) of the received tone			

Timer Register		Write Only	$R/\bar{W} = 0$ $A_1 = 1$ $A_0 = 0$
		D ₀ D ₁ D ₂ D ₃	
		LSB MSB	
The 4-bit Hex. word written to this register will automatically reset the timer and start a timing cycle as shown			
Hex Code	Function/Tone Period		
0	-	Disable Receiver, Transmitter and Timer	
Reset and start tone period of:			
1	-	10ms	
2	-	20ms	
3	-	30ms	
4	-	40ms	
5	-	50ms	
6	-	60ms	
7	-	70ms	
8	-	80ms	
9	-	90ms	
A	-	100ms	
B	-	110ms	
C	-	120ms	
D	-	130ms	
E	-	140ms	
F	-	Disable Timer operation only	

Internal Register States

Status Register	Read Only	$R/\overline{W} = 1$ $A_1 = 0$ $A_0 = 1$
The Status Register indicates the source of any interrupt		
Bit No	Condition	A logic '1' in the Status Register indicates that the bit is Set The Interrupt line (IRQ) is a logic '0' when active
D₀	Rx Ready :	D ₀ and an interrupt are Set when the Tone Decoder has decoded a received tone and latched the 4-bit Hex. word into the Tone Decode Register. This register requires to be read before the next tone is decoded or that information will be overwritten. D ₀ and the interrupt are Cleared by reading the Status Register followed by reading the Tone Decode Register.
D₁	Timer :	D ₁ and an interrupt are Set when the intervals programmed by the Timer Register have expired. D ₁ and the interrupt are Cleared after reading the Status Register.
D₂	Input Port (I/P₀ – I/P₃) :	D ₂ and an interrupt are Set when the data state at the Input Port changes. D ₂ and the interrupt are Cleared by reading the Status Register followed by reading the Input Port register.
D₃		This bit is unallocated. Set at a logic '0.'

Input Port	Read Only	$R/\overline{W} = 1$ $A_1 = 1$ $A_0 = 0$
	D₀ D₁ D₂ D₃ LSB MSB	
By reading this register the microprocessor can monitor the state of the 4 logic input pins (I/P ₀ – I/P ₃). This facility allows external systems to communicate with the microprocessor via this device		

The FX203 caters for CCIR, EEA and ZVEI/Suppressed ZVEI sequential tone system frequencies in three tone sets, "C," "E" and "Z" respectively, as shown in Table 1.
See the 'Specifications' pages for overall FX203 Tone performance characteristics.

Hex. Input/Output	D ₃	D ₂	D ₁	D ₀	'C' Tone Set f ₀ (Hz)	'E' Tone Set f ₀ (Hz)	'Z' Tone Set f ₀ (Hz)
0	0	0	0	0	1981	1981	2400
1	0	0	0	1	1124	1124	1060
2	0	0	1	0	1197	1197	1160
3	0	0	1	1	1275	1275	1270
4	0	1	0	0	1358	1358	1400
5	0	1	0	1	1446	1446	1530
6	0	1	1	0	1540	1540	1670
7	0	1	1	1	1640	1640	1830
8	1	0	0	0	1747	1747	2000
9	1	0	0	1	1860	1860	2200
A	1	0	1	0	2400	1055	2800
B	1	0	1	1	930	930	810
C	1	1	0	0	2247	2247	970
D	1	1	0	1	991	991	885
E	1	1	1	0	2110	2110	2600
F	1	1	1	1	Notone	Notone	Notone

Table 1 Tone Frequency Programming Codes

Specification

Absolute Maximum Ratings

Exceeding the maximum rating can result in device damage. Operation of the device outside the operating limits is not implied.

Supply voltage	-0.3 to 7.0V
Input voltage at any pin (ref $V_{SS} = 0V$)	-0.3 to ($V_{DD} + 0.3V$)
Sink/source current (supply pins)	+/- 30mA
(other pins)	+/- 20mA
Total device dissipation @ $T_{AMB} 25^{\circ}C$	800mW Max.
Derating	10mW/ $^{\circ}C$
Operating temperature range: FX203J	-30 $^{\circ}C$ to +85 $^{\circ}C$ (ceramic)
FX203LG/LS	-30 $^{\circ}C$ to +70 $^{\circ}C$ (plastic)
Storage temperature range: FX203J	-55 $^{\circ}C$ to +125 $^{\circ}C$ (ceramic)
FX203LG/LS	-40 $^{\circ}C$ to +85 $^{\circ}C$ (plastic)

Operating Limits

All device characteristics are measured under the following conditions unless otherwise specified:

$V_{DD} = 5.0V$, $T_{AMB} = 25^{\circ}C$. Xtal/Clock $f_0 = 4.0$ MHz. Audio level 0dB ref: = 775mV rms.

Characteristics	See Note	Min.	Typ.	Max.	Unit
Static Values					
Supply Voltage		4.5	5.0	5.5	V
Supply Current – Rx on, Tx and Timer Disabled		–	1.25	–	mA
Rx on, Tx Enabled, Timer Running	1	–	3.0	–	mA
Interface Levels					
CPU Data Port ($D_0 - D_3$) In/Out					
Logic '1'	8	3.5	–	–	V
Logic '0'		–	–	1.5	V
Output Logic '1' Source Current	9	–	–	120	μA
Output Logic '0' Sink Current	10	–	–	360	μA
Three State Output Leakage Current		–	–	4.0	μA
Input Port ($I/P_0 - I/P_3$) & ($R/W, A_0, A_1, CS$)					
Logic '1'		3.5	–	–	V
Logic '0'		–	–	1.5	V
Output Port ($O/P_0 - O/P_1$), (IRQ)					
Logic '1'	2	4.0	–	–	V
Logic '0'		–	–	1.0	V
Impedances					
Input Port		0.1	1.0	–	M Ω
Output Port		–	15.0	50.0	k Ω
Audio Input	11	0.1	1.0	–	M Ω
Audio Switch S1 'ON'	11	–	2.0	5.0	k Ω
Audio Switch S1 'OFF'	11	1.0	10.0	–	M Ω
Tx Tone Output (Enabled)	14	–	1.0	–	k Ω
Tx Tone Output (Disabled)		1.0	10.0	–	M Ω
Clock + 4 Output		–	3.0	10.0	k Ω
IRQ Output (Logic '1')		–	25.0	100.0	k Ω
IRQ Output (Logic '0')		–	150.0	500.0	Ω
Encoder					
Tone Output Level	1	-1.0	0	+1.0	dB
Tone Frequency Accuracy 'C'		-4.0	f_0	+4.0	Hz
Tone Frequency Accuracy 'E'		-0.3	f_0	+0.3	%
Tone Frequency Accuracy 'Z'		-0.3	f_0	+0.3	%
Tone Output Risetime	3	–	1.0	–	ms
Total Harmonic Distortion		–	–	5.0	%

Specification

Characteristics	See Note	Min.	Typ.	Max.	Unit
Decoder					
Signal Input Range	4	-28.0	-	+7.0	dB
Decode Bandwidth –					
Probability > 0.995 'C'	5	±1.0	-	-	%
Probability > 0.995 'E'	5	±1.0	-	-	%
Probability > 0.995 'Z'	5	±2.0	-	-	%
Not Decode Bandwidth –					
Probability < 0.03 'C'	6	-	-	±3.0	%
Probability < 0.03 'E'	6	-	-	±3.0	%
Probability < 0.03 'Z'	6	-	-	±4.5	%
Noise Response Rate 'C'	7,12	-	1.0	-	Digits
Noise Response Rate 'E'	7,12	-	1.0	-	Digits
Noise Response Rate 'Z'	7,13	-	1.0	-	Digits
Decode Response Time					
Notone to Tone	5	20	25	Tp	ms
Tone to Notone		33	-	53	ms

Timing – (Figure 3)

Address Set Up Time	t_{AS}	50	-	-	ns
Read/Write Set Up Time	t_{RWS}	50	-	-	ns
Address Hold Time	t_{AH}	0	-	-	ns
Read/Write Recovery Time	t_{RWR}	0	-	-	ns
Chip Select Access Time	t_{ACS}	8	-	250	ns
Output Hold Time (Read)	t_{OHR}	0	-	100	ns
Data Set Up Time (Write)	t_{DSW}	150	-	-	ns
Data Hold Time (Write)	t_{DHW}	20	-	-	ns
Power Up Reset Time	TS	3.0	-	-	ms

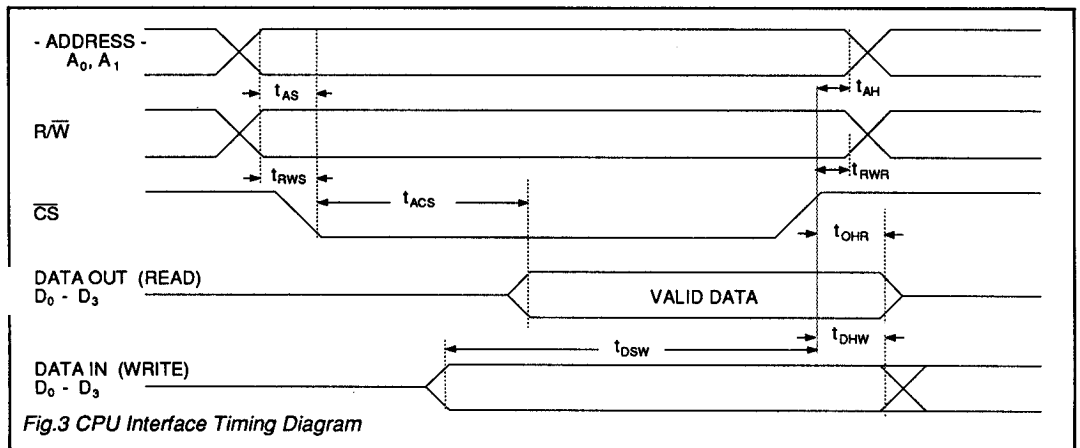


Fig.3 CPU Interface Timing Diagram

Notes

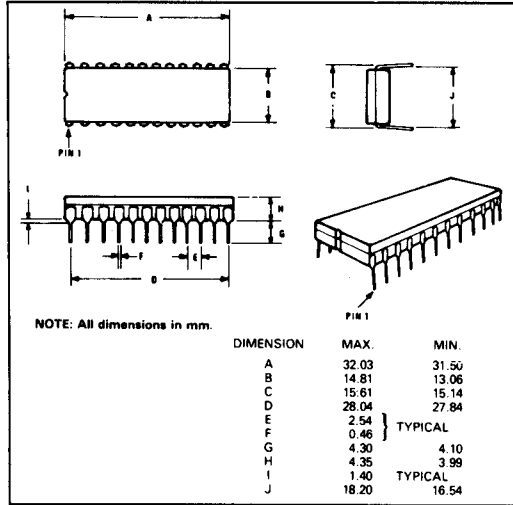
- No Tx Tone load.
- Sink/Source currents ≤ 0.1 mA.
- To 90% of nominal output, (from 'F tone' to 'not-F tone').
- Sine or Square, a.c. coupled input.
- With minimum tone period (Tp) for the tone set, S/N ratio 0dB.
- Under all conditions of input amplitude and S/N ratio, with maximum Tp specified for the tone set.
- Gaussian Noise Input 6kHz band limited with a maximum input level corresponding to 1-digit code falsing rate. (random to random single characters).
- With each data line loaded as: C = 50pf and R = 10k Ω .
- $V_{OUT} = 4.6$ V
- $V_{OUT} = 0.4$ V
- External connections on the Audio Output may alter these values.
- Single digit response in a 40.0-hour period.
- Single digit response in a 1.0-hour period.
- An emitter follower output with an internal 10k Ω pulldown resistor.

Package Outline

The FX203J, the cerdip package is shown in Figure 4. The 'LG' version is shown in Figure 5 and the 'LS' version in Figure 6.

To allow complete identification, the 'LG' and 'LS' packages have an indent spot adjacent to pin 1 and a chamfered corner between pins 3 and 4. Pins number anti-clockwise when viewed from the top (indent side).

Fig. 4 FX203*J 24-pin DIL Package



Ordering Information

* Insert the required system toneset

CCIR	EEA	ZVEI/SZVEI
* (C)	(E)	(Z)

FX203(*J) – Figure 4
24-pin cerdip DIL

FX203(*LG) – Figure 5
24-pin quad plastic encapsulated bent and cropped

FX203(*LS) – Figure 6
24-lead plastic leaded chip carrier

Handling Precautions

The FX203 is a CMOS LSI circuit which includes input protection. However precautions should be taken to prevent static discharges which may cause damage.

Fig. 5 FX203*LG 24-pin Package

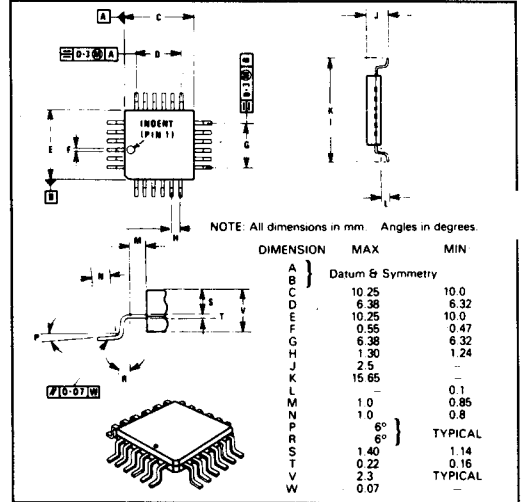


Fig. 6 FX203*LS 24-pin Package

