

6

5

4

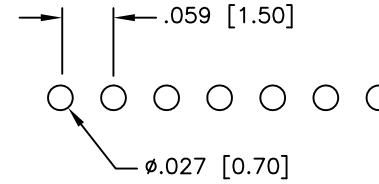
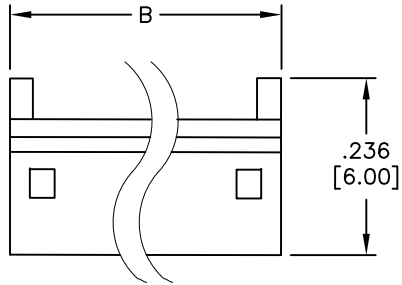
3

2

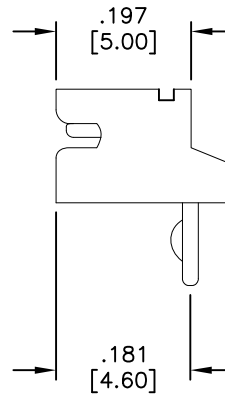
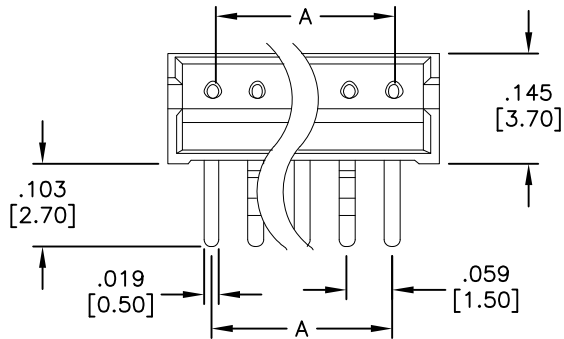
1

APPROVED: \_\_\_\_\_  
 DATE: \_\_\_\_\_ TITLE: \_\_\_\_\_

Rev	AWO #	Description	Date	Appr
-		RELEASED	12/22/08	



RECOMMENDED  
PCB LAYOUT



**SPECIFICATIONS:**

**Material:**  
 Insulator: Nylon 66, rated UL 94V-0  
 Insulator color: Ivory  
 Contacts: Brass

**Plating:**  
 Tin over Nickel underplate overall

**Electrical:**  
 Operating voltage: 100 VAC max  
 Current rating: 1.5 Amps max  
 Contact resistance: 20 mohms max  
 Insulation resistance: 500 Mohms min  
 Dielectric withstanding voltage: 500 VAC for 1 minute

**Temperature Rating:**  
 Operating temperature: -25°C to +85°C  
 Environmental:  
 Lead free, RoHS compliant.



**DIMENSIONS**

A = .059 [1.50] X No OF POSITIONS - 1  
 B = .059 [1.50] X No OF POSITIONS + .059 [1.50]

UNLESS OTHERWISE SPECIFIED ALL DIMENSIONS ARE INCHES [MM] TOLERANCES: EXCEPT AS NOTED		<b>ADAM TECH</b> 909 Rahway Avenue, Union, NJ 07083 Phone: 908-687-5000 Fax: 908-687-5710	
INCHES HOLES .X ± .10 Ø.X ± .10 .XX ± .020 Ø.XX ± .015 .XXX ± .015 Ø.XXX ± .010			
APPROVALS		TITLE .059 [1.5mm] HEADER, RIGHT ANGLE	
DRAWN	SS	DATE 12/22/08	
CHECKED		SIZE X	PART NO. 15SH-A-XX-TR
APPROVED		REV. -	
REF:		SCALE: NTS	SHEET 1 OF 1

6

5

4

3

2

1