

All dimensions are in mm; tolerances according to ISO 2768 m-H

Interface

According to SMA IEC 169-15
15K101-40M, RF Test switch

Material and plating

Connector parts

Center contact	Material	Beryllium copper	Plating	AuroDur®, gold plated
Outer contact		Brass		AuroDur®, gold plated
Outer contact		Beryllium copper		AuroDur®, gold plated
Insulator		PTFE		

Electrical data

Impedance	50 Ω
Frequency	DC to 6 GHz
Return loss	≤ -21 dB, DC to 2 GHz
	≤ -17 dB, 2 to 4 GHz
	≤ -15 dB, 4 to 6 GHz

Insulation resistance	≥ 0.5 x10 ³ MΩ
Center contact resistance	≤ 50 mΩ
Outer contact resistance	≤ 50 mΩ
Working voltage	4 V

Mechanical data

Mating form	Snap-on
Mating cycles	> 10,000
Mating force	< 6N
Unmating force	> 7N

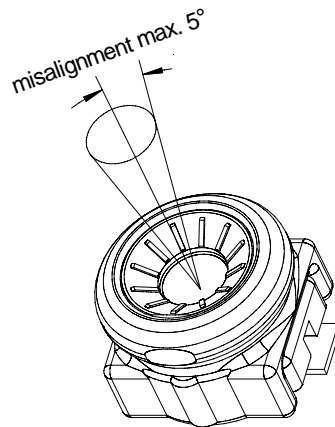
Environmental data

Temperature range	-40°C to +90°C
2002/95/EC (RoHS)	compliant

Mating and un-mating

For the reliable mating and un-mating follow the precautions :

1. The vertical mating axis of the PCB receptacle and the adapter has to be aligned during the connecting and a hearable click will confirm that the connectors are mated correctly.
2. The disconnection of the 2 connectors is carried out by vertical pulling of the adapter.
3. The connectors should not be mated under an extreme angle.
4. The mating force should be in the limits 5 N ≤ F ≤ 10 N



Packing

Standard	1 pcs in plastic bag
Weight	2.65 g/pce

While the information has been carefully compiled to the best of our knowledge, nothing is intended as representation or warranty on our part and no statement herein shall be construed as recommendation to infringe existing patents. In the effort to improve our products, we reserve the right to make changes judged to be necessary.

Draft	Date	Approved	Date	Rev.	Engineering change number	Name	Date
Michelmann Folke	17/01/06	Michelmann Folke	08/05/08	b00	08-0303	Michelmann, Folke	08/05/08

Rosenberger Hochfrequenztechnik GmbH & Co. KG
 P.O.Box 1260 D-84526 Tittmoning Germany
www.rosenberger.de

Tel.: +49 8684 18-0
 Fax: +49 8684 18-499
 email: info@rosenberger.de

Page

2 / 2