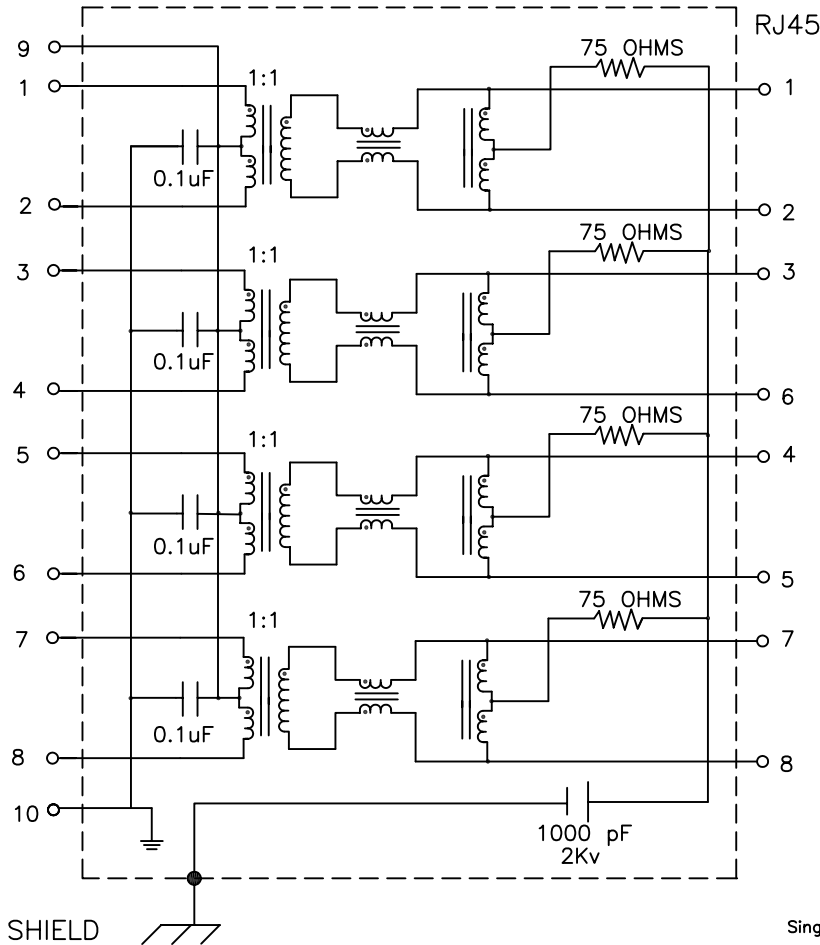


# Schematic:



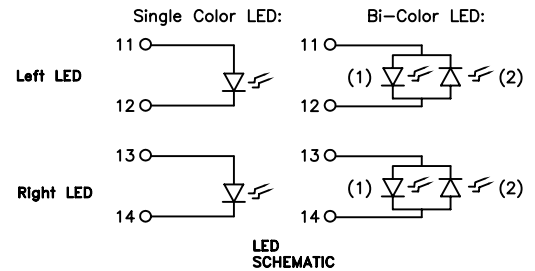
## Electrical Specifications: @25°C

- Isolation Voltage: 1500 Vrms, 60sec (Input to Output)
- Common Mode Rejection: @1-100MHz -30dB Min
- Crosstalk: @1-100MHz -25dB Min
- OCL: 350uH MIN @100KHz 100mV 8mADC
- Q: 18 MIN @100KHz 100mV
- Insertion Loss (1-100MHz): -1.0dB Max
- Return Loss: @1-30MHz -18dB Min
- @30-60MHz -16dB Min
- @60-80MHz -12dB Min
- @80-100MHz -10dB Min

### Notes:

1. Solderability: Leads shall meet MIL-STD-202G, Method 208H for solderability.
2. Flammability: UL94V-0
3. ASTM oxygen index: > 28%
4. UL Recognized Component: File Number E200238
5. Operating Temperature Range: All listed parameters are to be within tolerance from -40°C to +85°C
6. Storage Temperature Range: -55°C to +125°C
7. Aqueous wash compatible
8. Electrical and mechanical specifications 100% tested
9. RoHS Compliant Component

DOC. REV A/2



Complete the Combo P/N as follows:

Replace 'x' & 'u' in the part number with one of the LED color letters:

Y=Yellow	'x' = Left LED Color
G=Green	'u' = Right LED Color
A=Amber	
R=Red	
C=Green(1)/Amber(2) Bicolor	
D=Amber(1)/Green(2) Bicolor	
M=Green(1)/Yellow(2) Bicolor	
N=Yellow(1)/Green(2) Bicolor	
P=Red(1)/Green(2) Bicolor	
Q=Green(1)/Red(2) Bicolor	
E=Red(1)/Yellow(2) Bicolor	
F=Yellow(1)/Red(2) Bicolor	
H=Amber(1)/Yellow(2) Bicolor	
J=Green(1)/Green(2) Bicolor	

**XFMRs Inc.**  
www.XFMRs.com

Title: 2X6 Gigabit Stacked Combo with dual Rows LED

UNLESS OTHERWISE SPECIFIED

P/N: XFGIG12P-STKVDxu12-4

REV. A

TOLERANCES:  
.xxx ±0.010

DWN.

Feng

May-11-11

Dimensions in Inch

CHK.

YK Liao

May-11-11

SHEET 1 OF 2

APP.

BW

May-11-11

**PROPRIETARY:**

Document is the property of XFMRs Group & is not allowed to be duplicated without authorization.