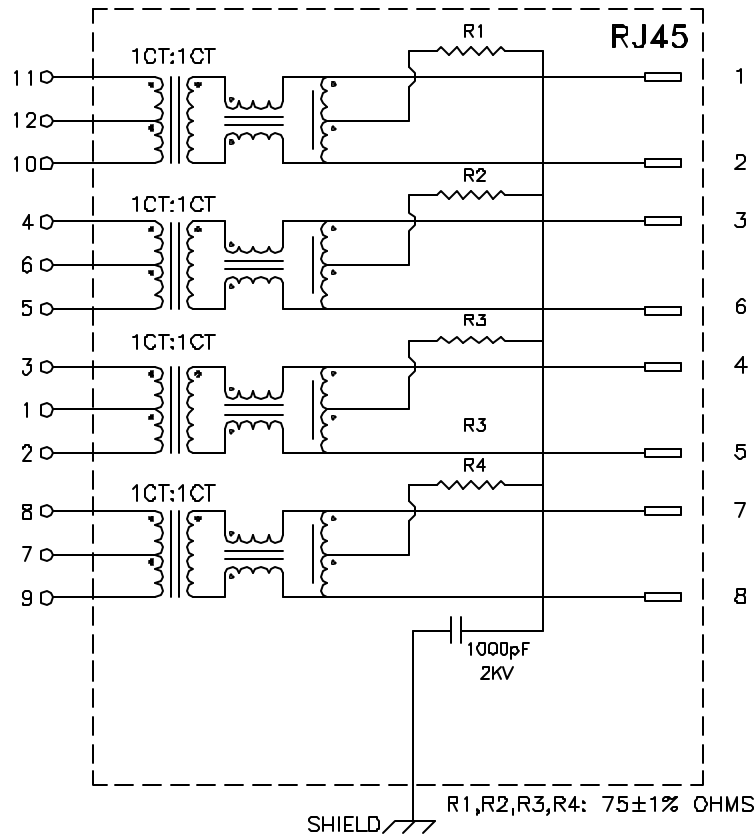


## Schematic:



## Electrical Specifications: @25°C

Isolation Voltage: 1500 Vrms @60Hz 1MIN

Common Mode Rejection: @1-50MHz -30dB Typ

@50-130MHz -20dB Typ

Crosstalk: @1-10MHz -40dB Typ

@30-60MHz -35dB Typ

@60-100MHz -30dB Typ

Insertion Loss (1-100MHz): -1.0dB Typ

Return Loss: @1-10MHz -20dB Typ

@30MHz -16dB Typ

@60-80MHz -12dB Typ

### Notes:

1. Solderability: Leads shall meet MIL-STD-202G, Method 208H for solderability.
2. Flammability: UL94V-0
3. ASTM oxygen index: > 28%
4. Insulation System: Class F 155°C. UL file E151556
5. Operating Temperature Range: All listed parameters are to be within tolerance from -40°C to +85°C
6. Storage Temperature Range: -55°C to +125°C
7. Aqueous wash compatible
8. Electrical and mechanical specifications 100% tested
9. RoHS Compliant Component

DOC REV: A/2

**XFMRs Inc.**  
www.XFMRs.com

Title: **FOUR PORT COMBO**

UNLESS OTHERWISE SPECIFIED  
TOLERANCES:  
.xxx ±0.010

P/N: XFGIG12-CT4-4M

REV. A

DWN.

Juan Mao

Jun-14-06

CHK.

YK Liao

Jun-14-06

SHEET 1 OF 2

APP.

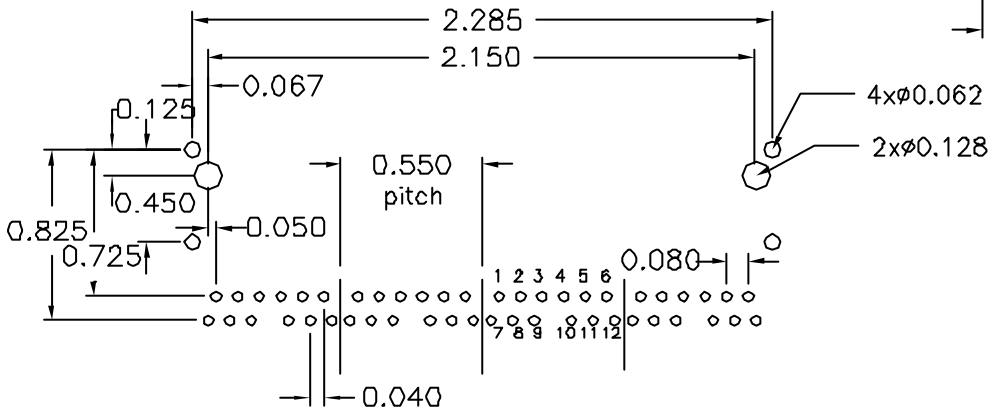
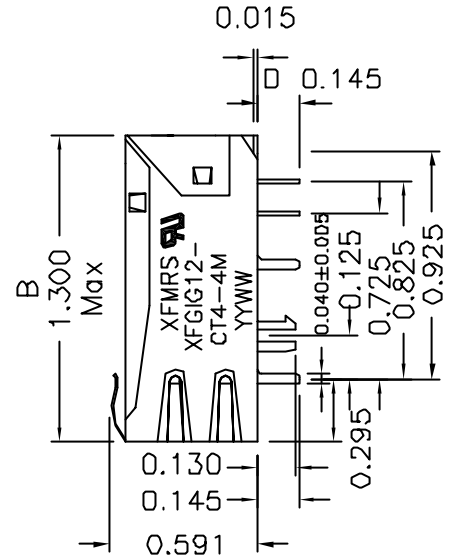
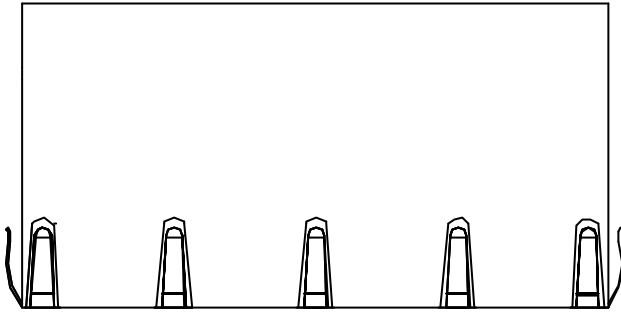
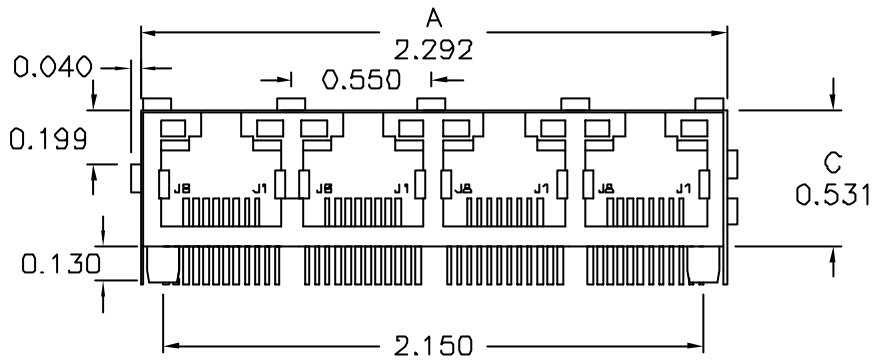
BW

Jun-14-06

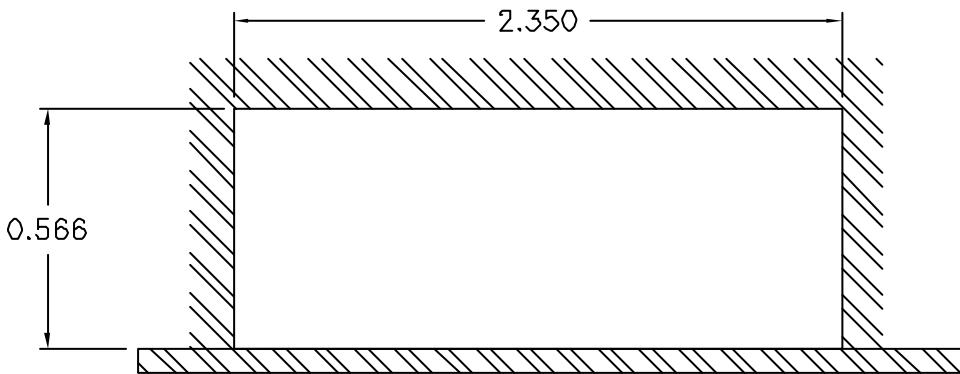
**PROPRIETARY:**

Document is the property of XFMRs Group & is not allowed to be duplicated without authorization.

**Mechanical Dimensions:**



SUGGESTED MOUNTING PATTERN



**XFMRs Inc.**  
www.XFMRs.com

Title: **FOUR PORT COMBO**

UNLESS OTHERWISE SPECIFIED  
TOLERANCES:  
.xxx ±0.010

P/N: XFGIG12-CT4-4M

REV. A

Dimensions in Inch

DWN.

Juan Mao

Jun-14-06

CHK.

YK Liao

Jun-14-06

SHEET 2 OF 2

APP.

BW

Jun-14-06

DOC REV: A/2

**PROPRIETARY:**

Document is the property of XFMRs Group & is not allowed to be duplicated without authorization.