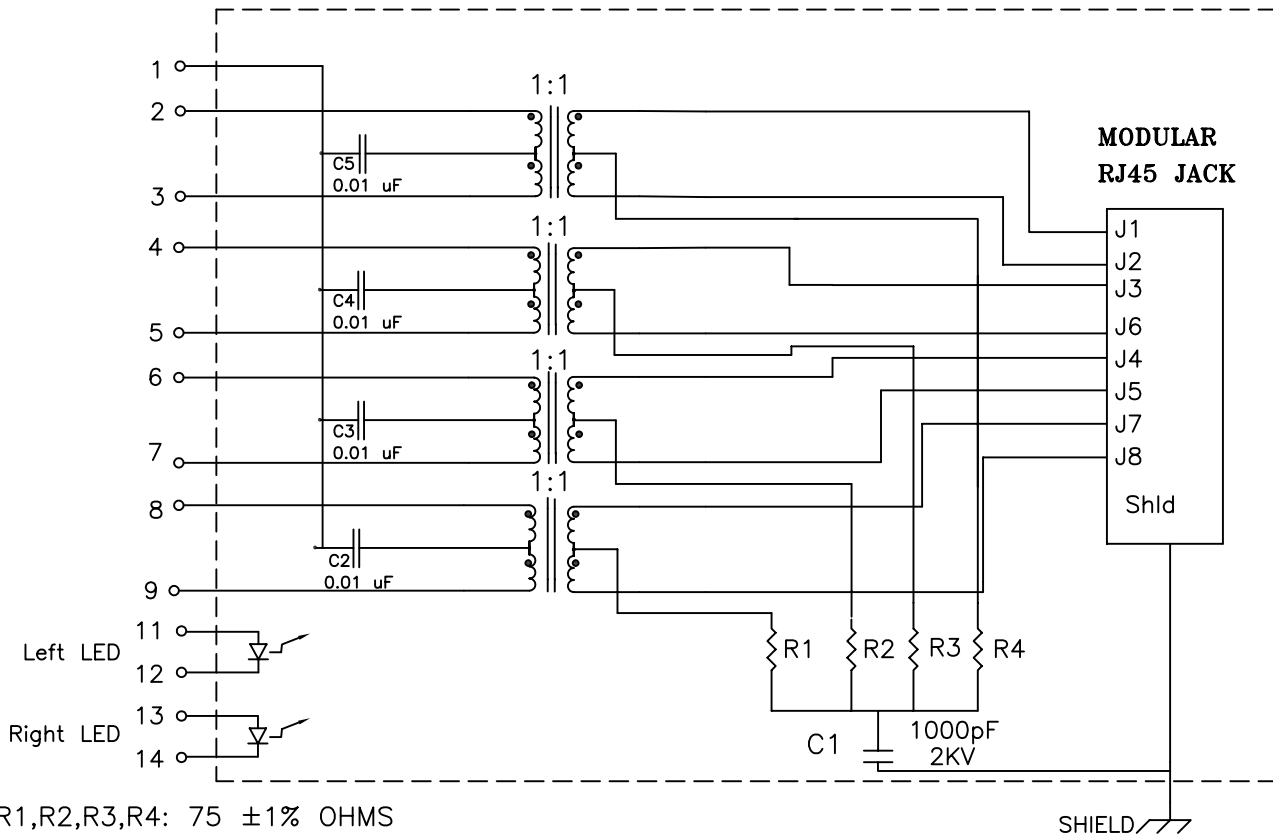


Schematic: (SINGLE PORT)



R1,R2,R3,R4: 75 ±1% OHMS

SHIELD

Electrical Specifications: @25°C

- ISOLATION: INPUT-OUTPUT 1500 Vrms
- TURNS RATIO: (PRI/SEC) 1:1 ±3%
- OCL: 350uH MIN @100KHz 100mV 8mADC
- INSERTION LOSS:
 - 1.2dB MAX @100KHz
 - 1.0dB MAX @1-65MHz
 - 1.2dB MAX @100MHz
 - 3.0dB MAX @125MHz
- RETURN LOSS: -20dB Min @1-10MHz
 - 18dB Min @30MHz -12dB Min @60-80MHz
 - 10dB Min @100MHz
- Crosstalk: -40dB Min @1-10MHz
 - 35dB Min @32-65MHz
 - 30dB Min @100MHz
- Q: 18 Min @100KHz 100mV

Notes:

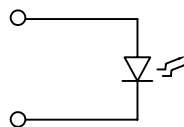
1. Solderability: Leads shall meet MIL-STD-202G, Method 208H for solderability.
2. Flammability: UL94V-0
3. ASTM oxygen index: > 28%
4. Insulation System: Class F 155°C. UL file E151556
5. Operating Temperature Range: All listed parameters are to be within tolerance from -40°C to +85°C
6. Storage Temperature Range: -55°C to +125°C
7. Aqueous wash compatible
8. Electrical and mechanical specifications 100% tested
9. RoHS Compliant Component

Complete the Combo P/N as follows:

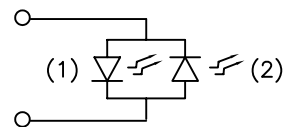
Replace 'x' & 'u' in the part number with one of the LED color letters:

- Y=Yellow
- G=Green
- A=Amber
- R=Red
- C=Green(1)/Amber(2) Bicolor
- D=Amber(1)/Green(2) Bicolor
- M=Green(1)/Yellow(2) Bicolor
- N=Yellow(1)/Green(2) Bicolor
- P=Red(1)/Green(2) Bicolor
- Q=Green(1)/Red(2) Bicolor
- E=Red(1)/Yel(2) Bicolor

Single Color LED:



Bi-Color LED:



DOC REV: B/1

XFMRs Inc.
www.XFMRs.com

Title: **Single Port GigE COMBO**

UNLESS OTHERWISE SPECIFIED
TOLERANCES:
.xxx ±0.010
Dimensions in Inch

P/N: XFGIB100Y-CLxu1-4MS

REV. B

DWN.

Mei Chen

May-06-10

CHK.

YK Liao

May-06-10

APP.

BW

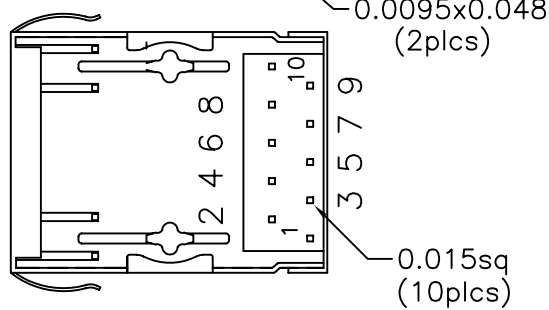
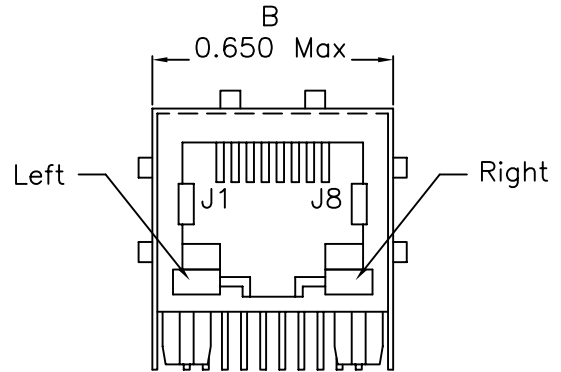
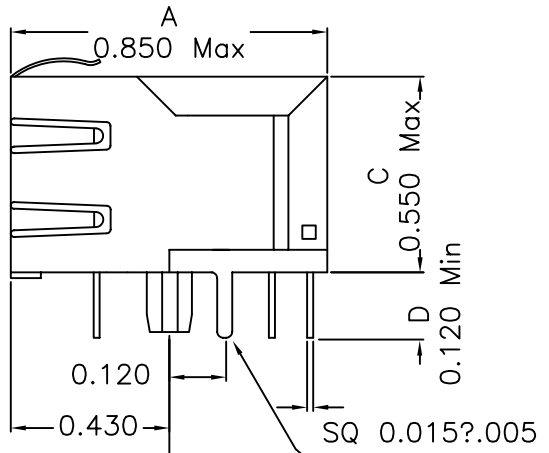
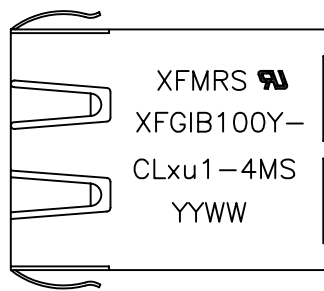
May-06-10

PROPRIETARY:

Document is the property of XFMRs Group & is not allowed to be duplicated without authorization.

SHEET 1 OF 2

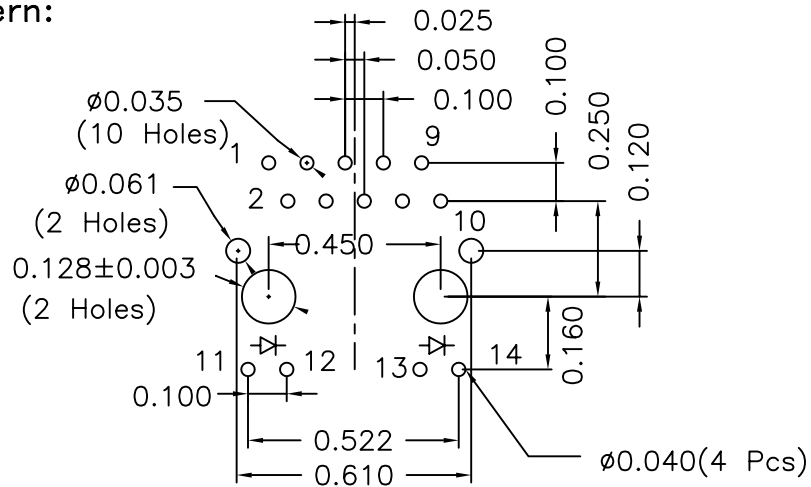
Mechanical Dimensions:



(BOTTOM VIEW)

Mounting Pattern:

(COMP SIDE)



XFMRS Inc.
www.XFMRS.com

Title: Mechanical Dimensions
For CLxu1-4MS Series

UNLESS OTHERWISE SPECIFIED
TOLERANCES:
.xxx ±0.010
Dimensions in Inch

P/N: XFGIB100Y-CLxu1-4MS

REV. B

DOC. REV: B/1

DWN.

Mei Chen

May-06-10

CHK.

YK Liao

May-06-10

APP.

BW

May-06-10

PROPRIETARY:

Document is the property of XFMRS Group & is not allowed to be duplicated without authorization.

SHEET 2 OF 2