



## UD05303

Preliminary

CMOS IC

### 3A, 1MHz, HIGH EFFICIENCY

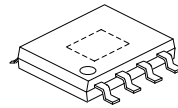
#### DESCRIPTION

The UTC **UD05303** is a high-efficiency 1MHz synchronous step-down DC-DC regulator IC capable of delivering up to 3A output current. The UTC **UD05303** operates over a wide input voltage ranging from 3~5.5V and integrate main switch and synchronous switch with very low  $R_{DS(ON)}$  to minimize the conduction loss.

Low output voltage ripple and small external inductor and capacitor sizes are achieved with 1MHz switching provides the system reset function and facilitates the output sequencing design.

#### FEATURES

- \* Low  $R_{DS(ON)}$  for internal switches (top/bottom) 100mΩ/70mΩ, 3A
- \* 3~5.5V input voltage range
- \* 1MHz switching frequency minimizes the external components
- \* Internal softstart limits the inrush current
- \* 100% dropout operation
- \* Output power good indicator
- \* RoHS compliant and halogen free
- \* Compact and thermally enhanced SO8 package with exposed paddle



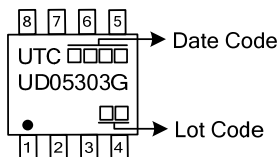
HSOP-8

#### ORDERING INFORMATION

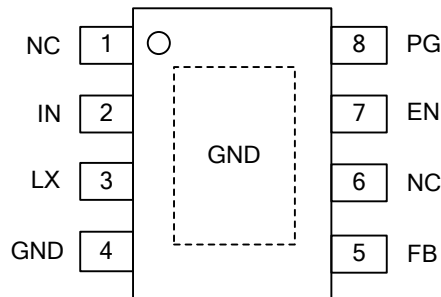
Ordering Number	Package	Packing
UD05303G-SH2-R	HSOP-8	Tape Reel

<p>UD05303G-SH2-R</p> <p>(1) Packing Type (2) Package Type (3) Green Package</p>	<p>(1) R: Tape Reel (2) SH2: HSOP-8 (3) G: Halogen Free and Lead Free</p>
--	---

#### MARKING



### ■ PIN CONFIGURATION



### ■ PIN DESCRIPTION

PIN NO.	PIN NAME	DESCRIPTION
1, 6	NC	No connections
2	IN	Input pin. Decouple this pin to GND pin with at least 1μF ceramic cap
3	LX	Inductor pin. Connect this pin to the switching node of inductor
4, paddle	GND	Ground pin
5	FB	Output feedback pin. Connect this pin to the center point of the output resistor divide (as shown in figure 1) to program the output voltage: $V_{OUT}=0.6*(1+R_1/R_2)$
7	EN	Enable control. Pull high to turn on. Do not float
8	PG	Power good indicator. When the output voltage exceeds 90% of regulation point, it becomes open drain; low otherwise

### ■ ABSOLUTE MAXIMUM RATING

PARAMETER	SYMBOL	RATINGS	UNIT
Supply Input Voltage	$V_{IN}$	6.0	V
Enable, FB Voltage	$V_{FB}$	$V_{IN}+0.6$	V
Junction Temperature	$T_J$	150	°C
Storage Temperature	$T_{STG}$	-65~150	°C

Notes: 1. Absolute maximum ratings are those values beyond which the device could be permanently damaged. Absolute maximum ratings are stress ratings only and functional device operation is not implied.  
2. The device is not guaranteed to function outside its operating conditions.

### ■ RECOMMENDED OPERATING CONDITIONS

PARAMETER	SYMBOL	RATINGS	UNIT
Supply Input Voltage	$V_{IN}$	3 ~ 5.5	V
Junction Temperature	$T_J$	-40 ~ 125	°C
Ambient Temperature	$T_A$	-40 ~ 85	°C

### ■ THERMAL DATA

PARAMETER	SYMBOL	RATINGS	UNIT
Junction to Ambient	$\theta_{JA}$	143	°C/W
Junction to Case	$\theta_{JC}$	14	°C/W

### ■ ELECTRICAL CHARACTERISTICS ( $V_{IN}=3.6V$ , $V_{OUT}=2.5V$ , $L=2.2\mu H$ , $C_{OUT}=10\mu F$ , $T_A=25^\circ C$ , $I_{MAX}=1A$ unless otherwise specified)

PARAMETER	SYMBOL	TEST CONDITIONS	MIN	TYP	MAX	UNIT
Input Voltage Range	$V_{IN}$		3		5.5	V
Shutdown Current	$I_{SHDN}$	EN=0		0.1	1	$\mu A$
Feedback Reference Voltage	$V_{REF}$		0.588	0.6	0.612	V
FB Input Current	$I_{FB}$	$V_{FB}=V_{IN}$	-50		50	nA
PFET RON	$R_{DS(ON),P}$			0.1		$\Omega$
NEET RON	$R_{DS(ON),N}$			0.07		$\Omega$
PFET Current Limit	$I_{LIM}$		3.6			A
EN Rising Threshold	$V_{ENH}$		1.5			V
EN Falling Threshold	$V_{ENL}$				0.4	V
Input UVLO Threshold	$V_{UVLO}$				2.9	V
UVLO Hysteresis	$V_{HYS}$			0.2		V
Oscillator Frequency	$F_{OSC}$	$I_{OUT}=100mA$		1		MHz
Min On Time				50		ns
Max Duty Cycle			100			%
Thermal Shutdown Temperature				150		°C

## ■ TYPICAL APPLICATION CIRCUIT

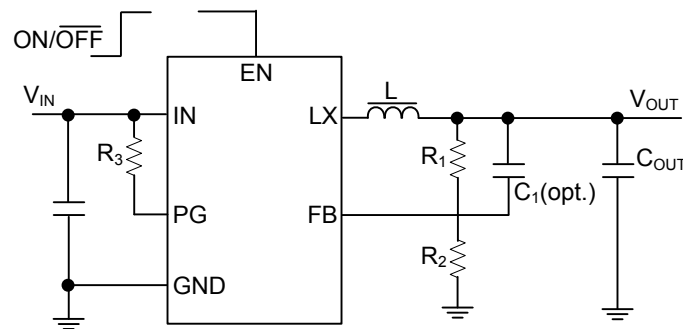


Figure 1. Schematic Diagram

UTC assumes no responsibility for equipment failures that result from using products at values that exceed, even momentarily, rated values (such as maximum ratings, operating condition ranges, or other parameters) listed in products specifications of any and all UTC products described or contained herein. UTC products are not designed for use in life support appliances, devices or systems where malfunction of these products can be reasonably expected to result in personal injury. Reproduction in whole or in part is prohibited without the prior written consent of the copyright owner. The information presented in this document does not form part of any quotation or contract, is believed to be accurate and reliable and may be changed without notice.