

## TVS2201 22-V Bidirectional Flat-Clamp Surge Protection Device

### 1 Features

- Protection Against 1-kV, 42-Ω IEC 61000-4-5 Surge Test for Industrial Signal Lines
- Bidirectional Polarity Enables Protection Against Bipolar Signaling or Miswiring Conditions
- Clamping Voltage of 29.6 V at 30 A of 8/20-μs Surge Current
- Standoff Voltage: ±22 V
- Small 3 mm x 3 mm<sup>2</sup> SON Footprint
- Survives Over 5,000 Repetitive Strikes of 25-A, 8/20-μs Surge Current
- Robust Surge Protection
  - IEC61000-4-5 (8/20 μs): 30 A
  - IEC61643-321 (10/1000 μs): 4 A
- Low Leakage Current
  - 2-nA Typical at 27°C
  - 330-nA Maximum at 85°C
- Low Capacitance: 80 pF
- Integrated Level 4 IEC 61000-4-2 ESD Protection

### 2 Applications

- Industrial Sensor I/O
- PLC I/O Modules
- Analog Inputs
- Appliances
- Medical Equipment
- USB Type-C V<sub>BUS</sub> Protection

### 3 Description

The TVS2201 device shunts up to 30 A of IEC 61000-4-5 fault current to protect systems from high-power transients or lightning strikes. The device survives the common industrial signal line EMC requirement of 1-kV IEC 61000-4-5 open circuit voltage coupled through a 42-Ω impedance. The TVS2201 uses a feedback mechanism to ensure precise flat clamping during a fault, keeping system exposure lower than traditional TVS diodes. The tight voltage regulation allows designers to confidently select system components with a lower voltage tolerance, lowering system costs and complexity without sacrificing robustness. The TVS2201 has a ±22-V operating range to enable operation in systems that require protection against reverse wiring conditions.

In addition, the TVS2201 is available in a small SON footprint designed for space constrained applications, offering a significant size reduction compared to standard SMA and SMB packages. Low device leakage and capacitance ensure a minimal effect on the protected line. To ensure robust protection over the lifetime of the product, TI tests the TVS2201 against 5000 repetitive surge strikes at 125°C with no shift in device performance.

The TVS2201 is part of TI's Flat-Clamp family of surge devices. For a deeper look at the Flat-Clamp family, refer to the [Flat-Clamp Surge Protection Technology for Efficient System Protection](#) white paper.

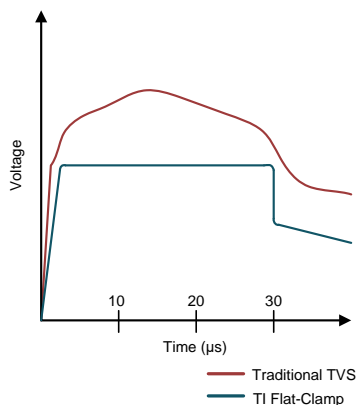
#### Device Information<sup>(1)</sup>

PART NUMBER	PACKAGE	BODY SIZE (NOM)
TVS2201	SON (8)	3.00 mm x 3.00 mm

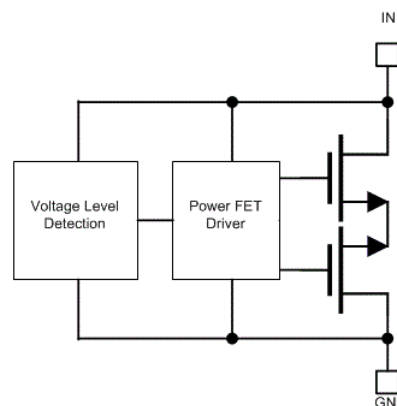
(1) For all available packages, see the orderable addendum at the end of the data sheet.

ADVANCE INFORMATION

#### Voltage Clamp Response to 8/20-μs Surge Event



#### Functional Block Diagram



## Table of Contents

<p><b>1 Features</b> ..... 1</p> <p><b>2 Applications</b> ..... 1</p> <p><b>3 Description</b> ..... 1</p> <p><b>4 Revision History</b>..... 2</p> <p><b>5 Device Comparison Table</b>..... 3</p> <p><b>6 Pin Configuration and Functions</b> ..... 4</p> <p><b>7 Specifications</b>..... 5</p> <p style="padding-left: 20px;">7.1 Absolute Maximum Ratings ..... 5</p> <p style="padding-left: 20px;">7.2 ESD Ratings - JEDEC ..... 5</p> <p style="padding-left: 20px;">7.3 ESD Ratings - IEC ..... 5</p> <p style="padding-left: 20px;">7.4 Recommended Operating Conditions ..... 5</p> <p style="padding-left: 20px;">7.5 Thermal Information ..... 5</p> <p style="padding-left: 20px;">7.6 Electrical Characteristics..... 6</p> <p><b>8 Detailed Description</b> ..... 7</p> <p style="padding-left: 20px;">8.1 Overview ..... 7</p> <p style="padding-left: 20px;">8.2 Functional Block Diagram ..... 7</p>	<p style="padding-left: 20px;">8.3 Feature Description..... 7</p> <p style="padding-left: 20px;">8.4 Device Functional Modes ..... 7</p> <p><b>9 Application and Implementation</b> ..... 9</p> <p style="padding-left: 20px;">9.1 Application Information..... 9</p> <p style="padding-left: 20px;">9.2 Typical Application ..... 9</p> <p><b>10 Power Supply Recommendations</b> ..... 10</p> <p><b>11 Layout</b>..... 11</p> <p style="padding-left: 20px;">11.1 Layout Guidelines ..... 11</p> <p style="padding-left: 20px;">11.2 Layout Example ..... 11</p> <p><b>12 Device and Documentation Support</b> ..... 12</p> <p style="padding-left: 20px;">12.1 Receiving Notification of Documentation Updates ..... 12</p> <p style="padding-left: 20px;">12.2 Community Resources..... 12</p> <p style="padding-left: 20px;">12.3 Trademarks ..... 12</p> <p style="padding-left: 20px;">12.4 Electrostatic Discharge Caution..... 12</p> <p style="padding-left: 20px;">12.5 Glossary ..... 12</p> <p><b>13 Mechanical, Packaging, and Orderable Information</b> ..... 12</p>
---	---

## 4 Revision History

DATE	REVISION	NOTES
September 2018	*	Initial release.

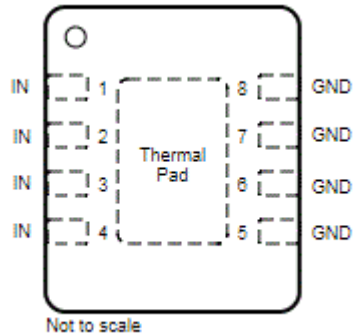
## 5 Device Comparison Table

DEVICE	$V_{rwm}$	$V_{clamp}$ at $I_{pp}$	$I_{pp}$ (8/20 $\mu$ s)	Leakage @ $V_{rwm}$	POLARITY	Package
<a href="#">TVS0500</a>	5	9.2 V	43 A	0.07 nA	Unidirectional	DRV (SON-6)
<a href="#">TVS0701</a>	7	11 V	30 A	0.25 nA	Bidirectional	DRB (SON-8)
<a href="#">TVS1400</a>	14	18.6 V	43 A	2 nA	Unidirectional	DRV (SON-6)
<a href="#">TVS1401</a>	14	20.5 V	30 A	1.1 nA	Bidirectional	DRB (SON-8)
<a href="#">TVS1800</a>	18	22.8 V	40 A	0.3 nA	Unidirectional	DRV (SON-6)
<a href="#">TVS1801</a>	18	27.4 V	30 A	0.4 nA	Bidirectional	DRB (SON-8)
<a href="#">TVS2200</a>	22	27.7 V	40 A	3.2 nA	Unidirectional	DRV (SON-6)
<a href="#">TVS2201</a>	22	29.6 V	30 A	2 nA	Bidirectional	DRB (SON-8)
<a href="#">TVS2700</a>	27	32.5 V	40 A	1.7 nA	Unidirectional	DRV (SON-6)
<a href="#">TVS2701</a>	27	34 V	27 A	0.8 nA	Bidirectional	DRB (SON-8)
<a href="#">TVS3300</a>	33	38 V	35 A	19 nA	Unidirectional	DRV (SON-6), YZF (WCSP)
<a href="#">TVS3301</a>	33	40 V	27 A	2.5 nA	Bidirectional	DRB (SON-8)

**ADVANCE INFORMATION**

## 6 Pin Configuration and Functions

DRB Package  
8-Pin SON  
Top View



Pin Functions

PIN		TYPE	DESCRIPTION
NAME	DRB		
IN	1, 2, 3, 4	IN	Surge Protected Channel
GND	5, 6, 7, 8	GND	Ground
FLOAT	Exposed Thermal Pad	NC	Exposed Thermal Pad Must Be Floating

## 7 Specifications

### 7.1 Absolute Maximum Ratings

 $T_A = 27^\circ\text{C}$  (unless otherwise noted)<sup>(1)</sup>

		MIN	MAX	UNIT
Maximum Surge	IEC 61000-4-5 Current (8/20 $\mu\text{s}$ ), $T_A < 125^\circ\text{C}$		$\pm 30$	A
	IEC 61000-4-5 Power (8/20 $\mu\text{s}$ )		850	W
	IEC 61643-321 Current (10/1000 $\mu\text{s}$ )		$\pm 4$	A
	IEC 61643-321 Power (10/1000 $\mu\text{s}$ )		120	W
EFT	IEC 61000-4-4 EFT Protection		$\pm 80$	A
$I_{BR}$	DC Current		30	mA
$T_A$	Ambient Operating Temperature	-40	125	$^\circ\text{C}$
$T_{stg}$	Storage Temperature	-65	150	$^\circ\text{C}$

- (1) Stresses beyond those listed under *Absolute Maximum Rating* may cause permanent damage to the device. These are stress ratings only, which do not imply functional operation of the device at these or any other conditions beyond those indicated under *Recommended Operating Condition*. Exposure to absolute-maximum-rated conditions for extended periods may affect device reliability.

### 7.2 ESD Ratings - JEDEC

			VALUE	UNIT
$V_{(ESD)}$	Electrostatic discharge	Human body model (HBM), per ANSI/ESDA/JEDEC JS-001, all pins <sup>(1)</sup>	$\pm 2000$	V
		Charged device model (CDM), per JEDEC specification JESD22-C101, all pins <sup>(2)</sup>	$\pm 500$	

- (1) JEDEC document JEP155 states that 500-V HBM allows safe manufacturing with a standard ESD control process.  
(2) JEDEC document JEP157 states that 250-V CDM allows safe manufacturing with a standard ESD control process.

### 7.3 ESD Ratings - IEC

			VALUE	UNIT
$V_{(ESD)}$	Electrostatic discharge	IEC 61000-4-2 contact discharge	$\pm 8$	kV
		IEC 61000-4-2 air-gap discharge	$\pm 15$	

### 7.4 Recommended Operating Conditions

over operating free-air temperature range (unless otherwise noted)

		MIN	NOM	MAX	UNIT
$V_{RWM}$	Reverse Stand-Off Voltage		$\pm 22$		V

### 7.5 Thermal Information

THERMAL METRIC <sup>(1)</sup>		TVS2201		
		DRB (SON)		
		8 PINS		
				UNIT
$R_{qJA}$	Junction-to-ambient thermal resistance		52	$^\circ\text{C}/\text{W}$
$R_{qJC(\text{top})}$	Junction-to-case (top) thermal resistance		56.1	$^\circ\text{C}/\text{W}$
$R_{qJB}$	Junction-to-board thermal resistance		24.9	$^\circ\text{C}/\text{W}$
$Y_{JT}$	Junction-to-top characterization parameter		2.1	$^\circ\text{C}/\text{W}$
$Y_{JB}$	Junction-to-board characterization parameter		24.8	$^\circ\text{C}/\text{W}$
$R_{qJC(\text{bot})}$	Junction-to-case (bottom) thermal resistance		9.8	$^\circ\text{C}/\text{W}$

- (1) For more information about traditional and new thermal metrics, see the [Semiconductor and IC Package Thermal Metrics](#) application report.

## 7.6 Electrical Characteristics

over operating free-air temperature range (unless otherwise noted)

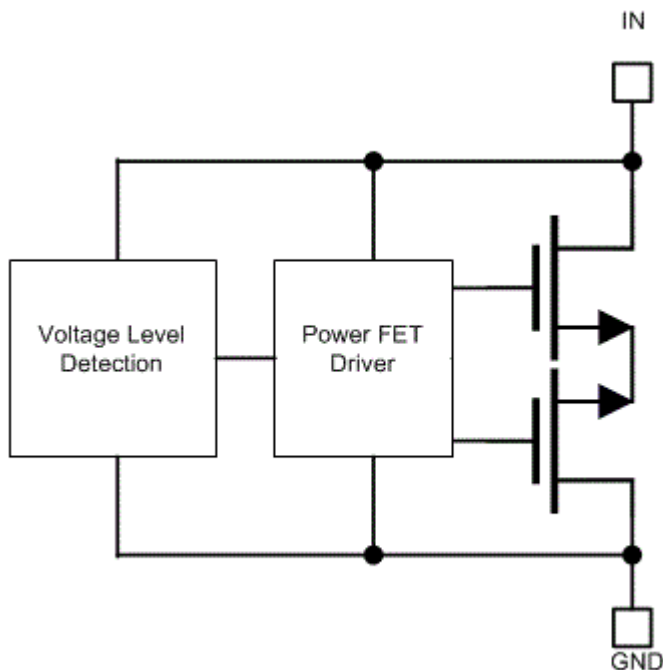
PARAMETER		TEST CONDITIONS	MIN	TYP	MAX	UNIT
I <sub>LEAK</sub>	Leakage Current	Measured at V <sub>IN</sub> = ±V <sub>RWM</sub> , T <sub>A</sub> = 27°C		2	15	nA
		Measured at V <sub>IN</sub> = ±V <sub>RWM</sub> , T <sub>A</sub> = 85°C			330	
V <sub>BR</sub>	Break-down Voltage	I <sub>IN</sub> = ±1mA	25.7	26.6		V
V <sub>CLAMP</sub>	Clamp Voltage	±I <sub>PP</sub> IEC 61000-4-5 Surge (8/20 μs), V <sub>IN</sub> = 0 V before surge, T <sub>A</sub> = 27°C		29.6	29.7	V
		Max ±I <sub>PP</sub> IEC 61000-4-5 Surge (8/20 μs), V <sub>IN</sub> = ±V <sub>RWM</sub> before surge, T <sub>A</sub> = 125°C		30.5	31	
R <sub>DYN</sub>	8/20 μs surge dynamic resistance	Calculated from V <sub>CLAMP</sub> at .5*I <sub>PP</sub> and I <sub>PP</sub> surge current, T <sub>A</sub> = 25°C		55		mΩ
C <sub>IN</sub>	Input pin capacitance	V <sub>IN</sub> = V <sub>RWM</sub> , f = 1 MHz, 30 mV <sub>pp</sub> , IO to GND		42		pF
SR	Maximum Slew Rate	0-±V <sub>RWM</sub> rising edge, sweep rise time and measure slew rate when I <sub>PEAK</sub> = 1 mA, T <sub>A</sub> = 27°C		2.5		V/μs
		0-±V <sub>RWM</sub> rising edge, sweep rise time and measure slew rate when I <sub>PEAK</sub> = 1 mA, T <sub>A</sub> = 85°C		1.0		

## 8 Detailed Description

### 8.1 Overview

The TVS2201 is a bidirectional precision clamp with two integrated FETs driven by a feedback loop to tightly regulate the input voltage during an overvoltage event. This feedback loop leads to a very low dynamic resistance, giving a flat clamping voltage during transient overvoltage events like a surge.

### 8.2 Functional Block Diagram



### 8.3 Feature Description

The TVS2201 is a precision clamp that handles 30 A of IEC 61000-4-5 8/20  $\mu$ s surge pulse. The flat clamping feature helps keep the clamping voltage very low to keep the downstream circuits from being stressed. The flat clamping feature can also help end-equipment designers save cost by opening up the possibility to use lower-cost, lower voltage tolerant downstream ICs. This device provides a bidirectional operating range, with a symmetrical  $V_{RWM}$  of  $\pm 22$  V, designed for applications that have bipolar input signals or that must withstand reverse wiring conditions. The TVS2201 has minimal leakage at  $V_{RWM}$ , designed for applications where low leakage and power dissipation is a necessity. Built in IEC 61000-4-2 and IEC 61000-4-4 ratings make it a robust protection solution for ESD and EFT events and the TVS2201 wide ambient temperature range of  $-40^{\circ}\text{C}$  to  $+125^{\circ}\text{C}$  enables usage in harsh industrial environments.

### 8.4 Device Functional Modes

#### 8.4.1 Protection Specifications

The TVS2201 is specified according to both the IEC 61000-4-5 and IEC 61643-321 standards. This enables usage in systems regardless of which standard is required by relevant product standards or best matches measured fault conditions. The IEC 61000-4-5 standard requires protection against a pulse with a rise time of 8  $\mu$ s and a half-length of 20  $\mu$ s, while the IEC 61643-321 standard requires protection against a much longer pulse with a rise time of 10  $\mu$ s and a half-length of 1000  $\mu$ s.

## Device Functional Modes (continued)

The positive and negative surges are imposed to the TVS2201 by a combination wave generator (CWG) with a 2- $\Omega$  coupling resistor at different peak voltage levels. For powered-on transient tests that need power supply bias, inductances are used to decouple the transient stress and protect the power supply. The TVS2201 is post-tested by assuring that there is no shift in device breakdown or leakage at  $V_{RWM}$ .

In addition, the TVS2201 has been tested according to IEC 61000-4-5 to pass a  $\pm 1$ -kV surge test through a 42- $\Omega$  coupling resistor and a 0.5- $\mu$ F capacitor. This test is a common test requirement for industrial signal I/O lines and the TVS2201 precision clamp can be used in applications that have that requirement.

The TVS2201 integrates IEC 61000-4-2 level 4 ESD Protection and 80 A of IEC 61000-4-4 EFT Protection. These combine to ensure that the device can protect against most common transient test requirements.

For more information on TI's test methods for Surge, ESD, and EFT testing, refer to the [IEC 61000-4-x Tests for TI's Protection Devices](#) application report.

### 8.4.2 Reliability Testing

To ensure device reliability, the TVS2201 is characterized against 5000 repetitive pulses of 25-A IEC 61000-4-5 8/20- $\mu$ s surge pulses at 125°C. The test is performed with less than 10 seconds between each pulse at high temperature to simulate worst-case scenarios for fault regulation. After each surge pulse, the TVS2201 clamping voltage, breakdown voltage, and leakage are recorded to ensure that there is no variation or performance degradation. By ensuring robust, reliable, high temperature protection, the TVS2201 enables fault protection in applications that must withstand years of continuous operation with no performance change.

### 8.4.3 Minimal Derating

Unlike traditional diodes, the TVS2201 has zero derating of maximum power dissipation and ensures robust performance up to 125°C. Traditional TVS diodes lose up to 50% of their current carrying capability when at high temperatures, so a surge pulse above 85°C ambient can cause failures that are not seen at room temperature. The TVS2201 prevents this so the designer can see the surge protection regardless of temperature. Because of this, Flat-Clamp devices can provide robust protection against surge pulses that occur at high ambient temperatures, as shown in TI's [TVS Surge Protection in High-Temperature Environments](#) application report.

### 8.4.4 Bidirectional Operation

The TVS2201 is a bidirectional TVS with a symmetrical operating region. This allows for operation with positive and negative voltages, rather than just positive voltages like the unidirectional TVS2200. This allows for single chip protection for applications where the signal is expected to operate below 0 V or where there is a need to withstand a large common-mode voltage. In addition, there is a system requirement to be able to withstand reverse wiring conditions, in many cases where a high voltage signal is accidentally applied to the system ground and a ground is accidentally applied to the input terminal. This causes a large reverse voltage on the TVS diode that the device must be able to withstand. The TVS2201 is designed to not break down or see failures under reverse wiring conditions, for applications that must withstand these miswiring issues.

---

#### NOTE

If the applied signal is not expected to go below 0 V, a unidirectional device will clamp much lower in the reverse direction and should be used. In this case, the recommended device would be the TVS2200.

---

### 8.4.5 Transient Performance

During large transient swings, the TVS2201 will begin clamping the input signal to protect downstream conditions. While this prevents damage during fault conditions, it can cause leakage when the intended input signal has a fast slew rate. To keep power dissipation low and remove the chance of signal distortion, TI recommendeds that the designer keep the slew rate of any input signal on the TVS2201 below 2.5 V/ $\mu$ s at room temperature and below 1.0 V/ $\mu$ s at 85°C shown in . Faster slew rates will cause the device to clamp the input signal and draw current through the device for a few microseconds, increasing the rise time of the signal. This will not cause any harm to the system or to the device, however it can cause device overheating if the fast input voltage swings occur regularly.



## 9 Application and Implementation

### NOTE

Information in the following applications sections is not part of the TI component specification, and TI does not warrant its accuracy or completeness. TI's customers are responsible for determining suitability of components for their purposes. Customers should validate and test their design implementation to confirm system functionality.

### 9.1 Application Information

The TVS2201 can be used to protect any power, analog, or digital signal from transient fault conditions caused by the environment or other electrical components.

### 9.2 Typical Application

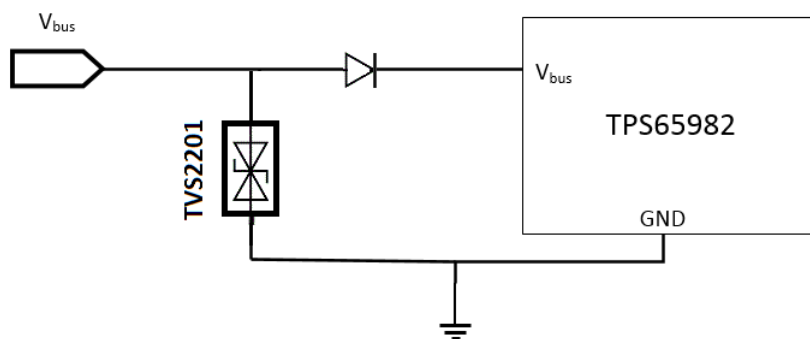


Figure 1. TVS2201 Application Schematic

#### 9.2.1 Design Requirements

A typical operation for the TVS2201 would be protecting a USB Type-C  $V_{BUS}$  input, with a nominal input voltage of 20 V and a required withstand of 22 V, shown in Figure 1. In this example, a TVS2201 is protecting the input to a TPS65982 Type-C Port Controller. Without any input protection, this input voltage will rise to hundreds of volts for multiple microseconds, and violate the absolute maximum input voltage and harm the device if a surge event is caused by lightning, coupling, hot-swap ringing, or any other fault condition. This customer is adding additional surge protection on the  $V_{BUS}$  line because they are worried about faulty connectors causing power spikes, and in addition wants to have protection against mechanical shorts in the connector that could possibly apply  $-20$  V to the  $V_{BUS}$  line.

#### 9.2.2 Detailed Design Procedure

If the TVS2201 is in place to protect the device, the voltage will rise to the breakdown of the diode at 26.6 V, during a surge event. The TVS2201 will then turn on to shunt the surge current to ground. With the low dynamic resistance of the TVS2201, even large amounts of surge current will have minimal impact on the clamping voltage. The dynamic resistance of the TVS2201 is around 55 m $\Omega$ , which means a 25-A surge current will cause a voltage raise of  $25 \text{ A} \times 55 \text{ m}\Omega = 1.37 \text{ V}$ . Because the device turns on at 26.6 V, this means the input will be exposed to a maximum of  $26.6 \text{ V} + 1.37 \text{ V} = 27.97 \text{ V}$  during surge pulses, robustly protecting the USB Type-C port.

In addition, the TVS2201 provides protection against reverse voltage application that could accidentally be caused by shorts between pins. If  $-20$  V is applied to the VBUS pin, the TPS65982 will not be harmed because the series diode will prevent the voltage from being applied to the input, and the TVS2201 will not shunt current because the reverse working voltage is  $-22$  V. If the TVS2200 or a unidirectional device is used in this case, a  $-20$ -V short would cause the device to shunt current until it fails.

### Typical Application (continued)

Finally, the small size of the device also improves fault protection by lowering the effect of fault current coupling onto neighboring traces. The small form factor of the TVS2201 allows the device to be placed extremely close to the input connector, which lowers the length of the path fault current going through the system compared to larger protection solutions.

## 10 Power Supply Recommendations

The TVS2201 is a clamping device so there is no need to power it. To ensure the device functions properly do not violate the recommended  $V_{IN}$  voltage range (–22 V to 22 V) .

## 11 Layout

### 11.1 Layout Guidelines

The optimum placement is close to the connector. EMI during an ESD event can couple from the tested trace to other nearby unprotected traces, which could result in system failures. The PCB designer must minimize the possibility of EMI coupling by keeping all unprotected traces away from protected traces between the TVS and the connector. Route the protected traces straight. Use rounded corners with the largest radii possible to eliminate any sharp corners on the protected traces between the TVS2201 and the connector. Electric fields tend to build up on corners, which could increase EMI coupling.

Ensure that the thermal pad on the layout is floating rather than grounded. Grounding the thermal pad will impede the operating range of the TVS2201, and can cause failures when the applied voltage is negative. A floating thermal pad allows the maximum operating range without sacrificing any transient performance.

### 11.2 Layout Example

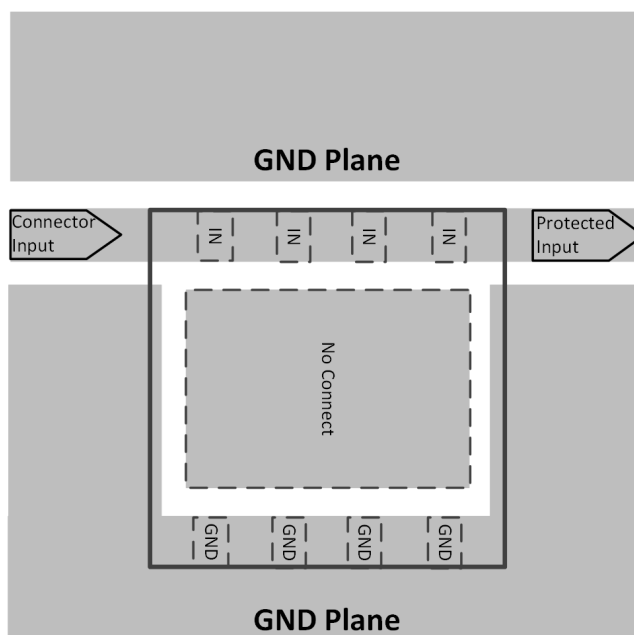


Figure 2. TVS2201 Layout

## 12 Device and Documentation Support

### 12.1 Receiving Notification of Documentation Updates

To receive notification of documentation updates, navigate to the device product folder on ti.com. In the upper right corner, click on *Alert me* to register and receive a weekly digest of any product information that has changed. For change details, review the revision history included in any revised document.

### 12.2 Community Resources

The following links connect to TI community resources. Linked contents are provided "AS IS" by the respective contributors. They do not constitute TI specifications and do not necessarily reflect TI's views; see TI's [Terms of Use](#).

**TI E2E™ Online Community** *TI's Engineer-to-Engineer (E2E) Community*. Created to foster collaboration among engineers. At e2e.ti.com, you can ask questions, share knowledge, explore ideas and help solve problems with fellow engineers.

**Design Support** *TI's Design Support* Quickly find helpful E2E forums along with design support tools and contact information for technical support.

### 12.3 Trademarks

E2E is a trademark of Texas Instruments.

### 12.4 Electrostatic Discharge Caution



This integrated circuit can be damaged by ESD. Texas Instruments recommends that all integrated circuits be handled with appropriate precautions. Failure to observe proper handling and installation procedures can cause damage.

ESD damage can range from subtle performance degradation to complete device failure. Precision integrated circuits may be more susceptible to damage because very small parametric changes could cause the device not to meet its published specifications.

### 12.5 Glossary

[SLYZ022](#) — *TI Glossary*.

This glossary lists and explains terms, acronyms, and definitions.

## 13 Mechanical, Packaging, and Orderable Information

The following pages include mechanical, packaging, and orderable information. This information is the most current data available for the designated devices. This data is subject to change without notice and revision of this document. For browser-based versions of this data sheet, refer to the left-hand navigation.

**PACKAGING INFORMATION**

Orderable Device	Status (1)	Package Type	Package Drawing	Pins	Package Qty	Eco Plan (2)	Lead/Ball Finish (6)	MSL Peak Temp (3)	Op Temp (°C)	Device Marking (4/5)	Samples
PTVS2201DRBR	ACTIVE	SON	DRB	8	3000	TBD	Call TI	Call TI	-40 to 125		Samples
TVS2201DRBR	PREVIEW	SON	DRB	8	3000	TBD	Call TI	Call TI	-40 to 125		

(1) The marketing status values are defined as follows:

**ACTIVE:** Product device recommended for new designs.

**LIFEBUY:** TI has announced that the device will be discontinued, and a lifetime-buy period is in effect.

**NRND:** Not recommended for new designs. Device is in production to support existing customers, but TI does not recommend using this part in a new design.

**PREVIEW:** Device has been announced but is not in production. Samples may or may not be available.

**OBsolete:** TI has discontinued the production of the device.

(2) **RoHS:** TI defines "RoHS" to mean semiconductor products that are compliant with the current EU RoHS requirements for all 10 RoHS substances, including the requirement that RoHS substance do not exceed 0.1% by weight in homogeneous materials. Where designed to be soldered at high temperatures, "RoHS" products are suitable for use in specified lead-free processes. TI may reference these types of products as "Pb-Free".

**RoHS Exempt:** TI defines "RoHS Exempt" to mean products that contain lead but are compliant with EU RoHS pursuant to a specific EU RoHS exemption.

**Green:** TI defines "Green" to mean the content of Chlorine (Cl) and Bromine (Br) based flame retardants meet JS709B low halogen requirements of <=100ppm threshold. Antimony trioxide based flame retardants must also meet the <=1000ppm threshold requirement.

(3) MSL, Peak Temp. - The Moisture Sensitivity Level rating according to the JEDEC industry standard classifications, and peak solder temperature.

(4) There may be additional marking, which relates to the logo, the lot trace code information, or the environmental category on the device.

(5) Multiple Device Markings will be inside parentheses. Only one Device Marking contained in parentheses and separated by a "~" will appear on a device. If a line is indented then it is a continuation of the previous line and the two combined represent the entire Device Marking for that device.

(6) Lead/Ball Finish - Orderable Devices may have multiple material finish options. Finish options are separated by a vertical ruled line. Lead/Ball Finish values may wrap to two lines if the finish value exceeds the maximum column width.

**Important Information and Disclaimer:**The information provided on this page represents TI's knowledge and belief as of the date that it is provided. TI bases its knowledge and belief on information provided by third parties, and makes no representation or warranty as to the accuracy of such information. Efforts are underway to better integrate information from third parties. TI has taken and continues to take reasonable steps to provide representative and accurate information but may not have conducted destructive testing or chemical analysis on incoming materials and chemicals. TI and TI suppliers consider certain information to be proprietary, and thus CAS numbers and other limited information may not be available for release.

In no event shall TI's liability arising out of such information exceed the total purchase price of the TI part(s) at issue in this document sold by TI to Customer on an annual basis.

**DRB 8**

**GENERIC PACKAGE VIEW**

**VSON - 1 mm max height**

PLASTIC SMALL OUTLINE - NO LEAD



Images above are just a representation of the package family, actual package may vary.  
Refer to the product data sheet for package details.

4203482/L

## IMPORTANT NOTICE AND DISCLAIMER

TI PROVIDES TECHNICAL AND RELIABILITY DATA (INCLUDING DATASHEETS), DESIGN RESOURCES (INCLUDING REFERENCE DESIGNS), APPLICATION OR OTHER DESIGN ADVICE, WEB TOOLS, SAFETY INFORMATION, AND OTHER RESOURCES "AS IS" AND WITH ALL FAULTS, AND DISCLAIMS ALL WARRANTIES, EXPRESS AND IMPLIED, INCLUDING WITHOUT LIMITATION ANY IMPLIED WARRANTIES OF MERCHANTABILITY, FITNESS FOR A PARTICULAR PURPOSE OR NON-INFRINGEMENT OF THIRD PARTY INTELLECTUAL PROPERTY RIGHTS.

These resources are intended for skilled developers designing with TI products. You are solely responsible for (1) selecting the appropriate TI products for your application, (2) designing, validating and testing your application, and (3) ensuring your application meets applicable standards, and any other safety, security, or other requirements. These resources are subject to change without notice. TI grants you permission to use these resources only for development of an application that uses the TI products described in the resource. Other reproduction and display of these resources is prohibited. No license is granted to any other TI intellectual property right or to any third party intellectual property right. TI disclaims responsibility for, and you will fully indemnify TI and its representatives against, any claims, damages, costs, losses, and liabilities arising out of your use of these resources.

TI's products are provided subject to TI's Terms of Sale ([www.ti.com/legal/termsofsale.html](http://www.ti.com/legal/termsofsale.html)) or other applicable terms available either on [ti.com](http://ti.com) or provided in conjunction with such TI products. TI's provision of these resources does not expand or otherwise alter TI's applicable warranties or warranty disclaimers for TI products.

Mailing Address: Texas Instruments, Post Office Box 655303, Dallas, Texas 75265  
Copyright © 2018, Texas Instruments Incorporated