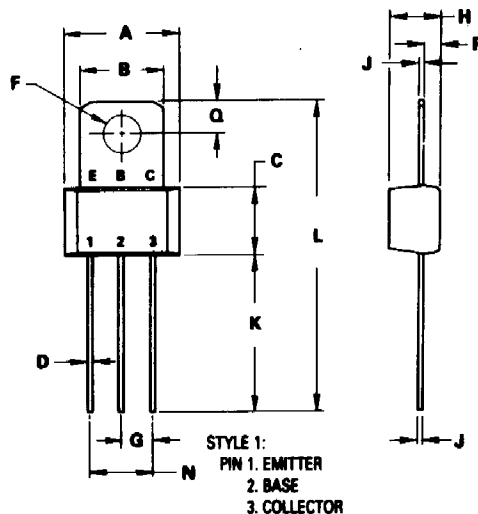


# New Jersey Semi-Conductor Products, Inc.

## Bipolar Transistors

Type	Device Material & Polarity		MAXIMUM RATINGS					OPERATING CHARACTERISTICS			
			Device Power Dissipate. Pt W	Collector Current Continuous Ic A	Base Current Ib A	Breakdown Voltages			Current Gain		Gain-Bandwidth Product fr MHz
						Collector-To-Base BVcbo V	Collector-To-Emitter BVceo V	Emitter-To-Base BVebo V	Small Signal h <sub>fe</sub>	Static h <sub>FE</sub>	
SK9424	SI	PNP	0.4	-0.05		-100	-100	-5		400-800	150
			<i>Application: Low-Noise Differential Amplifiers</i>							<i>V<sub>CE</sub> (V) = -6</i>	
			<i>Complementary Device Type: SK9423</i>							<i>I<sub>C</sub> (A) = -0.001</i>	
SK9425	SI	NPN	0.4	0.1		50	50	5		400-800	150
			<i>Application: Low-Noise Differential Amplifiers</i>							<i>V<sub>CE</sub> (V) = 6</i>	
			<i>Complementary Device Type: SK9426</i>							<i>I<sub>C</sub> (A) = 0.001</i>	
SK9426	SI	PNP	0.4	-0.1		-50	-50	-5		400-800	150
			<i>Application: Low-Noise Differential Amplifiers</i>							<i>V<sub>CE</sub> (V) = -6</i>	
			<i>Complementary Device Type: SK9425</i>							<i>I<sub>C</sub> (A) = -0.001</i>	
SK9427	SI	NPN	0.4	0.1		100	100	5		400-800	100
			<i>Application: Low-Noise Differential Amplifiers</i>							<i>V<sub>CE</sub> (V) = 6</i>	
			<i>Complementary Device Type: SK9428</i>							<i>I<sub>C</sub> (A) = 0.001</i>	
SK9428	SI	PNP	0.4	-0.1		-100	-100	-5		400-800	100
			<i>Application: Low-Noise Differential Amplifiers</i>							<i>V<sub>CE</sub> (V) = -6</i>	
			<i>Complementary Device Type: SK9427</i>							<i>I<sub>C</sub> (A) = -0.001</i>	
SK9429	SI	NPN	150	15		160	160	5		120-240	80
			<i>Application: Hi-Current Driving Applications Such As PC Printer</i>							<i>V<sub>CE</sub> (V) = 5</i>	
			<i>Complementary Device Type: SK9430</i>							<i>I<sub>C</sub> (A) = 1</i>	
SK9431	SI	NPN	40	5	0.5	500	300	10		600-3000	
			<i>Application: High-Voltage, Low-Speed Industrial Switching</i>							<i>V<sub>CE</sub> (V) = 2</i>	
										<i>I<sub>C</sub> (A) = 2</i>	
SK9432	SI	NPN	0.625	0.1		40	30	4		30 Min	620
			<i>Application: VHF Mixers in TV Receivers</i>							<i>V<sub>CE</sub> (V) = 10</i>	
										<i>I<sub>C</sub> (A) = 0.008</i>	
SK9433	SI	NPN	0.6	0.5		60	40	5		50-300	400
			<i>Application: High-Speed Switching</i>							<i>V<sub>CE</sub> (V) = 1</i>	
			<i>Complementary Device Type: SK9434</i>							<i>I<sub>C</sub> (A) = 0.15</i>	
SK9434	SI	PNP	0.6	-0.5		-60	-40ms	-5		50-300	400
			<i>Application: High-Speed Switching</i>							<i>V<sub>CE</sub> (V) = -2</i>	
			<i>Complementary Device Type: SK9433</i>							<i>I<sub>C</sub> (A) = -0.15</i>	
SK9435	SI	NPN	10	1		180	180	5		40 Min	35 Min
			<i>Application: Horizontal Drive and High-Voltage Linear Circuits</i>							<i>V<sub>CE</sub> (V) = 10</i>	
										<i>I<sub>C</sub> (A) = 0.01</i>	
SK9436	SI	NPN	10	2		50	40	12		25K-150K	
			<i>Application: Amplifier and Driver Applications</i>							<i>V<sub>CE</sub> (V) = 5</i>	
			<i>Complementary Device Type: SK9437</i>							<i>I<sub>C</sub> (A) = 0.2</i>	



DIM	MILLIMETERS		INCHES	
	MIN	MAX	MIN	MAX
A	9.14	9.63	0.360	0.378
B	6.80	7.24	0.268	0.285
C	5.41	5.68	0.213	0.223
D	0.38	0.53	0.015	0.021
F	3.18	3.33	0.125	0.131
Q	2.54 BSC		0.100 BSC	
H	3.94	4.19	0.155	0.165
J	0.38	0.41	0.014	0.016
K	11.83	12.70	0.468	0.500
L	24.58	25.53	0.968	1.006
N	5.08 BSC		0.200 BSC	
Q	2.38	2.69	0.094	0.106
R	1.14	1.40	0.045	0.055

