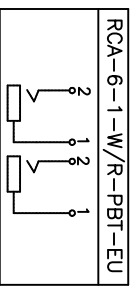
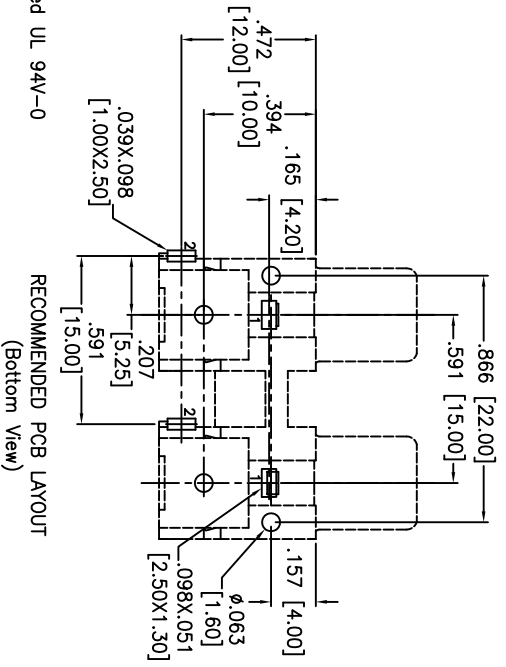
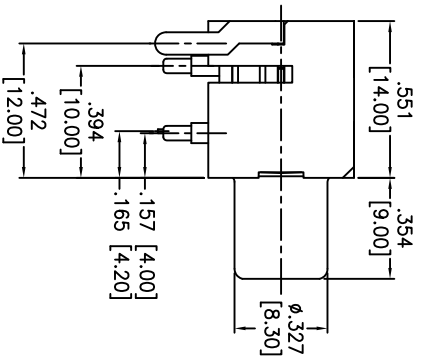
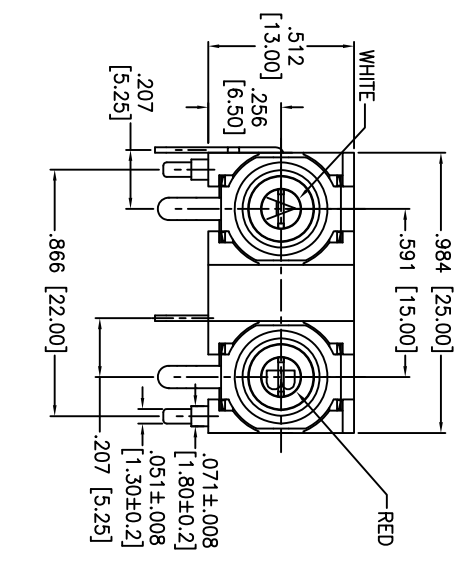


Rev	AWO #	Description	Date	Appr
-		RELEASED	11/03/09	

APPROVED: _____ TITLE: _____
 DATE: _____



JACKS A AND B CAN BE ANY COMBINATION OF AVAILABLE COLORS

RECOMMENDED PCB LAYOUT
(Bottom View)

RECOMMENDED PCB LAYOUT
(Bottom View)

- SPECIFICATIONS:**
- Material: Insulator: PBT, glass reinforced, rated UL 94V-0
 - Insulator colors: White, Red,
 - Contacts: Brass
 - Plating: Tin over Copper underplate.
 - Electrical: Operation voltage: 30V DC max.
 - Current rating: 1 Amp max
 - Contact resistance: 30 mohms max.
 - Insulation resistance: 100 Mohms min
 - Dielectric withstanding voltage: 500 VAC for 1 minute
 - Temperature rating: Operating temperature: -25°C to +80°C

- Environmental: Lead free, RoHS compliant.
- Recommended soldering temp: 235°C for 5 sec.
- Packaging: Anti-ESD plastic bags

ADAM TECH

909 Railway Avenue, Union, NJ 07083
 Phone: 908-687-5000 Fax: 908-687-5710

RCA JACK, 2 PORTS, GANGED

UNLESS OTHERWISE SPECIFIED ALL DIMENSIONS ARE INCHES [MM] TOLERANCES: EXCEPT AS NOTED		TITLE	
INCHES	±.10	ØXX	±.10
HOLDS	±.020	ØXXX	±.015
	±.015	ØXXX	±.010
APPROVALS	DATE	RCA-6-1-W/R-PBT-EU	
DRAWN	DY	11/03/09	
CHECKED			
APPROVED			
SIZE	PART NO.	SCALE	SHEET 1 OF 1
X	RCA-6-1-W/R-PBT-EU	NTS	
REF: S00025C			