



QW1040 THRU QW10200

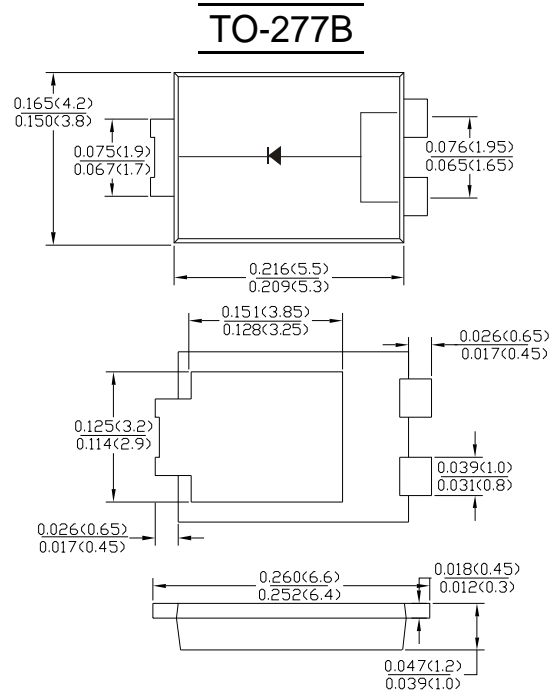
Surface Mount Schottky Barrier Rectifiers

Features

- Schottky Barrier Chip
- High Thermal Reliability
- Patented Super Barrier Rectifier Technology
- High Forward Surge Capability
- Ultra Low Power Loss, High Efficiency
- Excellent High Temperature Stability
- Plastic material-UL flammability 94V-0

Mechanical Data

- Case: TO-277, molded plastic
- Terminals: Plated Leads Solderable per MIL-STD-202, Method 208
- Polarity: Cathode Band
- Mounting Position: Any
- Marking: Type Number
- Lead Free: For RoHS/Lead Free Version



dimensions in inches and (millimeters)

Maximum Ratings and Electrical Characteristics @ $T_A = 25^\circ\text{C}$ unless otherwise specified

Single Phase, half wave, 60Hz, resistive or inductive load. For capacitive load, derate current by 20%.

Parameter	Symbol	QW1040	QW1045	QW1050	QW1060	QW1080	QW10100	QW10150	QW10200	Unit
Peak Repetitive Reverse Voltage	V_{RRM}									
Working Peak Reverse Voltage	V_{RWM}	40	45	50	60	80	100	150	200	V
DC blocking voltage	V_{DC}									
RMS Rectified Voltage	$V_{R(RMS)}$	28	32	35	42	56	70	105	140	V
Average Rectified Output Current (Note1)	$I_F(AV)$	10								A
Non-Repetitive Peak Forward Surge 8.3ms Single Half Sine-Wave Superimposed on rated load (JEDEC Method) (Note2)	I_{FSM}	130								A
I^2t Rating for Fusing ($t < 8.3\text{ms}$)	I^2t	70.135								A^2s
Forward Voltage Drop $T_A = 25^\circ\text{C}$ @ $I_F = 5A$	V_{FM}	0.52		0.68		0.82		0.85	0.90	V
Peak Reverse Current $T_A = 25^\circ\text{C}$ At Rated DC Blocking Voltage $T_A = 100^\circ\text{C}$	I_R	0.3 15								mA
Typical Thermal Resistance Junction to Ambient	$R_{\theta JA}$ $R_{\theta JL}$	80 15								$^\circ\text{C/W}$
Operating junction temperature range	T_J	-55 to +150								$^\circ\text{C}$
storage temperature range	T_{STG}	-55 to +150								$^\circ\text{C}$

Note: 1. Valid Provided that are kept at ambient temperature at a distance of 9.5mm from the case.

2. Fr-4pcb. 2oz. Copper, minimum recommend pad layout .18.8mm×14.4. Anode pad dimensions 5.6mm×14.4mm.





QW1040 THRU QW10200 Surface Mount Schottky Barrier Rectifiers

Characteristic Curves (T_A=25 °C unless otherwise noted)

Fig.1 - Forward Current Derating Curve

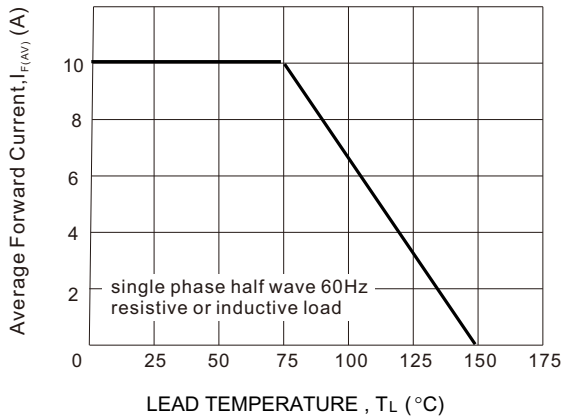


Fig2 : Instantaneous Forward Voltage

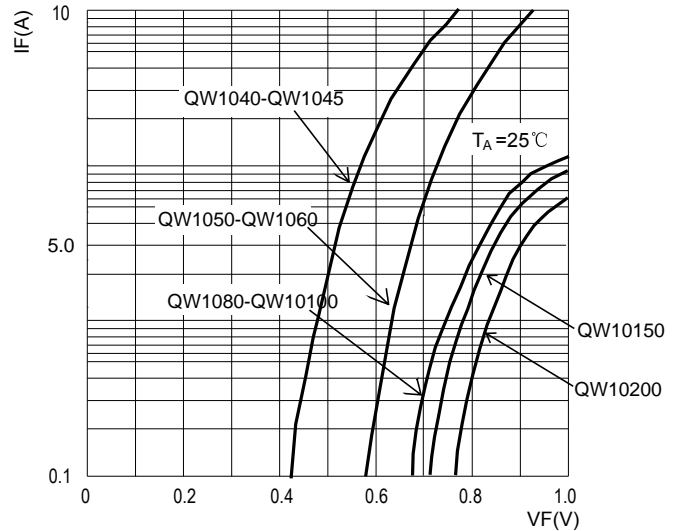


Fig3: Surge Forward Current Capability

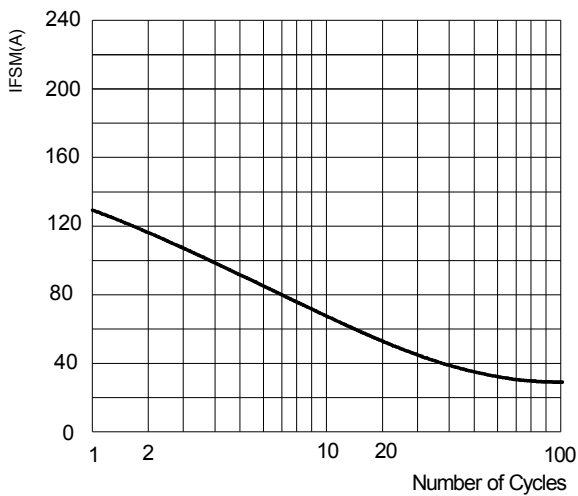


Fig4: Typical Reverse Characteristics

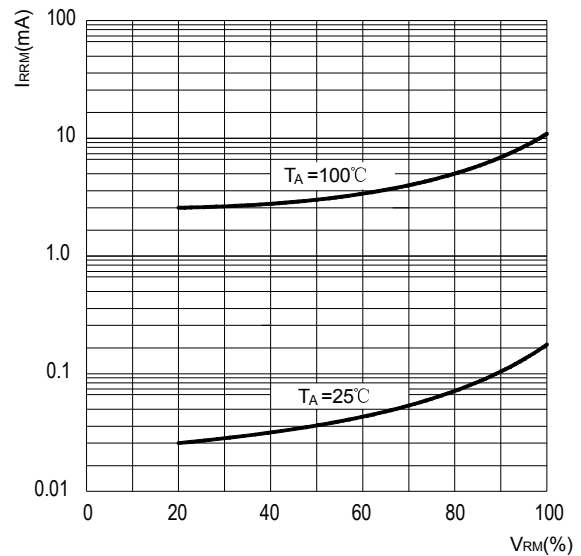


FIG.5 MOUNTING PAD LAYOUT

