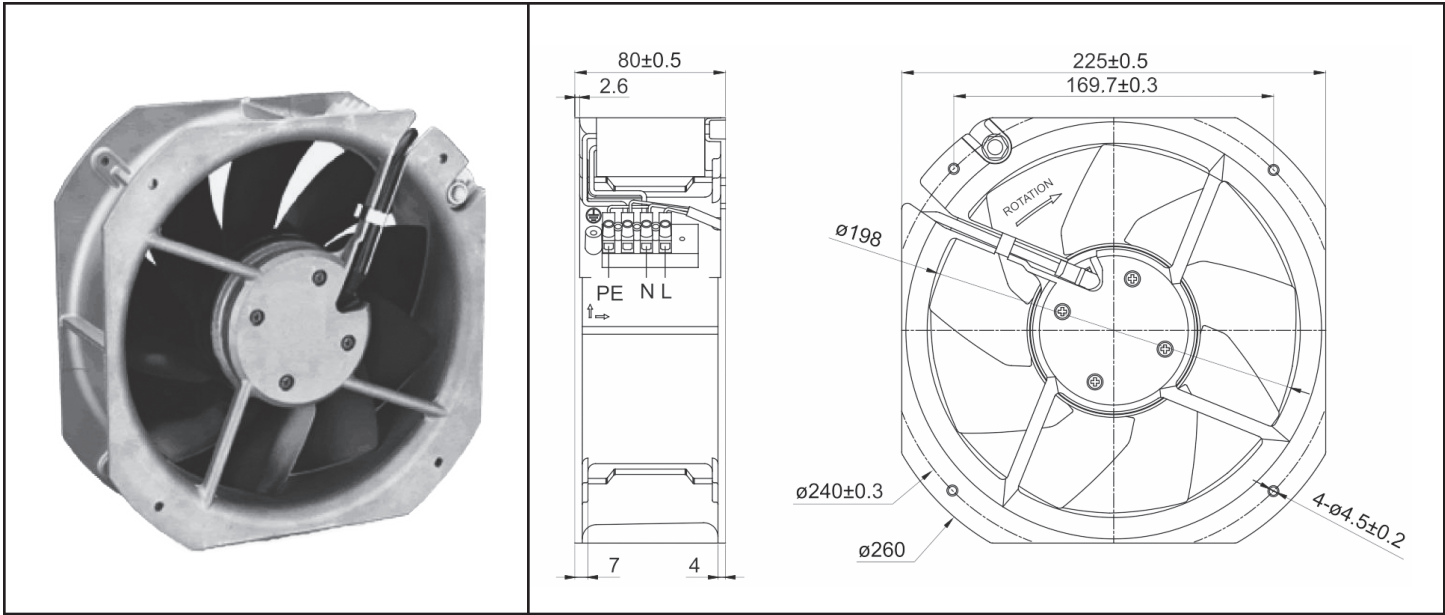


OA225 Series



AC Fan - 115V, 230V
225 x 80mm (8.86" x 3.15")



Frame	Diecast Aluminum	<u>Operating Temperature</u> Ball Bearing -40C ~ +80C Storage Temp -40C ~ +80C <u>Life Expectancy</u> Ball Bearing 40,000 hours (L10 at 40C) Environmental: IP55 Rated Weight: ~ 4.7 lbs. m2	
Impeller	Metal		
Connection	Terminal Block, 18AWG		
Motor	Capacitor drive, thermally protected		
Bearing System	Dual ball		
Insulation	Class F		
Dielectric Strength	1 min at 1500 VAC, 50/60Hz		

Part Number	OA225AN-11-1TB18	OA225AN-22-1TB18
Nominal Voltage	115VAC	230VAC
Voltage Range	100 ~ 125VAC	200 ~ 240VAC
Rated Power	65 / 72 W	74 / 80 W
Nominal Current	0.58 / 0.70 A	0.29 / 0.35 A
Rated Speed (RPM) 50/60Hz	2550 / 2800	2550 / 2800
Airflow (CFM) 50/60Hz	530 / 600	530 / 600
Noise Level (dB) 50/60HZ	59 / 61	59 / 61
Max. Static Pressure 50/60Hz	0.67" / 0.55" H ₂ O	0.67" / 0.55" H ₂ O