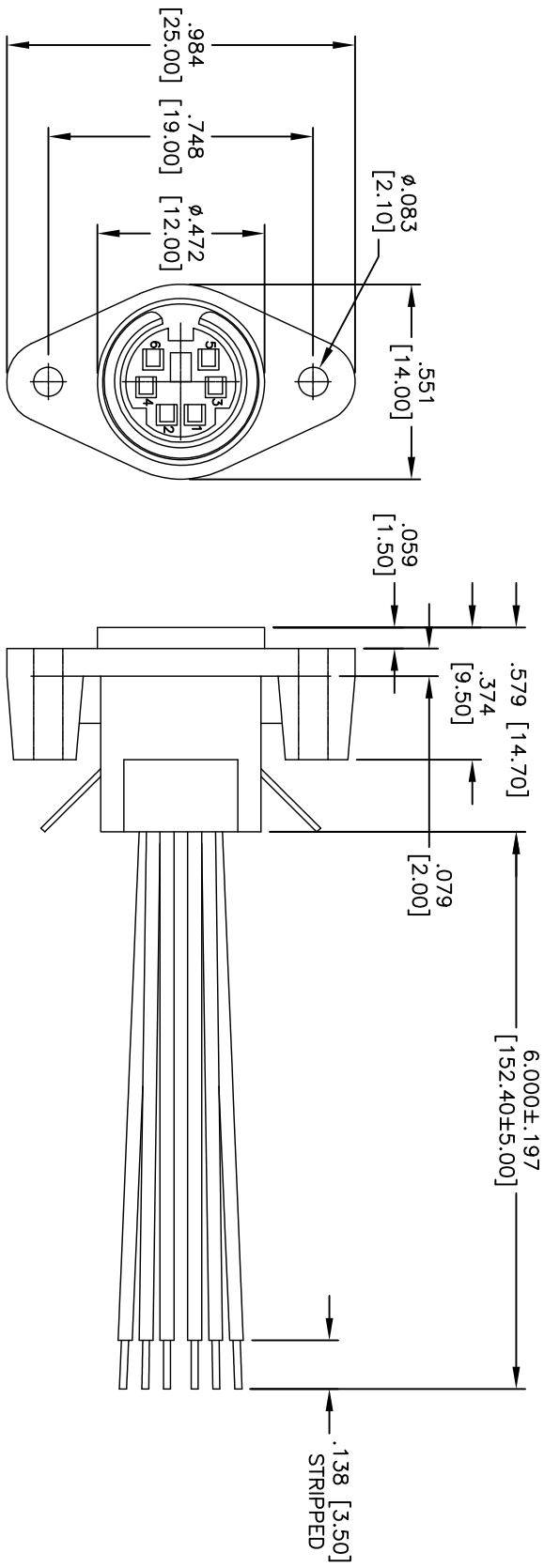


Rev	AWO #	Description	Date	Appr
-		RELEASED	12/30/04	
A		REDRAWN	2/6/14	AV/KW
B		REVISED STRIPPED DIM.	11/14/14	AV/LL

APPROVED: _____
 DATE: _____ TITLE: _____



MATING FACE CONFIGURATIONS	P/N	1	2	3	4	5	6	7	8
	MDE-003-W	BLACK	GREEN	ORANGE	---	---	---	---	---
	MDE-004-W	BLACK	GREEN	YELLOW	RED	---	---	---	---
	MDE-005-W	BROWN	BLACK	GREEN	YELLOW	RED	---	---	---
	MDE-006-W	BROWN	WHITE	BLACK	GREEN	YELLOW	RED	---	---
	MDE-007-W	BROWN	WHITE	BLACK	GREEN	YELLOW	ORANGE	RED	---
	MDE-008-W	BROWN	WHITE	BLACK	BLUE	GREEN	YELLOW	ORANGE	RED

SPECIFICATIONS:

Material: Insulator: PBT, glass filled, rated UL 94V-0
 Insulator color: Black
 Contact Terminal: Phosphor Bronze, Tin plated
 Earth Terminal: Phosphor Bronze, Tin plated
 Wire: 26AWG
 Electrical: Operating voltage: 100 VAC/12 VDC max.
 Current rating: 1 Amp max./2 Amps max.
 Contact resistance: 30 mohms max. initial
 Insulation resistance: 50 Mohms min @ DC 250V.
 Dielectric withstanding voltage: 250 VAC for 1 minute
 Environmental: Lead free, RoHS Compliant

ADAM TECH

909 Railway Avenue, Union, NJ 07083
 Phone: 908-687-5000 Fax: 908-687-5710

MINI DIN JACK, PANEL MOUNT W/ FLANGES,
 6" WIRE LEADS STRIPPED .138 [3.50]

UNLESS OTHERWISE SPECIFIED
 ALL DIMENSIONS ARE INCHES [MM]
 TOLERANCES: EXCEPT AS NOTED

.X	± .10	ØX	± .10
.XX	± .020	ØXX	± .015
.XXX	± .015	ØXXX	± .010

APPROVALS

DRAWN	SS	12/30/04
CHECKED		
APPROVED		

REF: S00250T	SCALE: NTS	SHEET 1 OF 1
SIZE: X	PART NO.: MDE-00X-W	REV: B

6 5 4 3 2 1

6 5 4 3 2 1

