

1.5MHz 600mA Synchronous Step-Down Converter with Low Quiescent Current

LR8501 Series

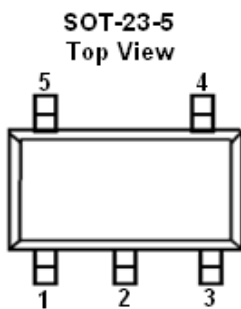
■ INTRODUCTION:

The LR8501 is a 1.5MHz constant frequency, slope compensated current mode PWM synchronous step-down converter. It is ideal for powering portable equipment which runs from a single cell Lithium-Ion battery. 100% duty cycle provides low dropout operation, extending battery life in portable systems. In power saving mode, 40 μ A quiescent current is very suitable for DSP/MCU in standby operation; and in active mode, low output ripple voltage is good enough for noise sensitive applications. The two modes can be automatically switched according to the load current.

■ APPLICATIONS:

- Cellular and Smart Phones
- Personal Information Appliances
- Wireless and DSL Modems

■ PIN CONFIGURATION:



■ FEATURES:

- High efficiency : Up to 96%
- Output Current: 600mA (Typ.)
- 1.5MHz Constant Switching Frequency
- No Schottky Diode Required
- Input Voltage: 1.8V to 5.5V
- 0.6V Reference Allows Low Output Voltage
- Low Dropout: 100% duty Cycle
- Low Quiescent Current: 40 μ A
- Shutdown Current: <1 μ A
- Current Mode Operation for Excellent Line and Load Transient Response
- Built-in Thermal Protection
- Package: SOT-23-5

- Digital Still and Video Cameras
- Microprocessors Core Supplies
- Portable consumer equipments

ORDER INFORMATION:

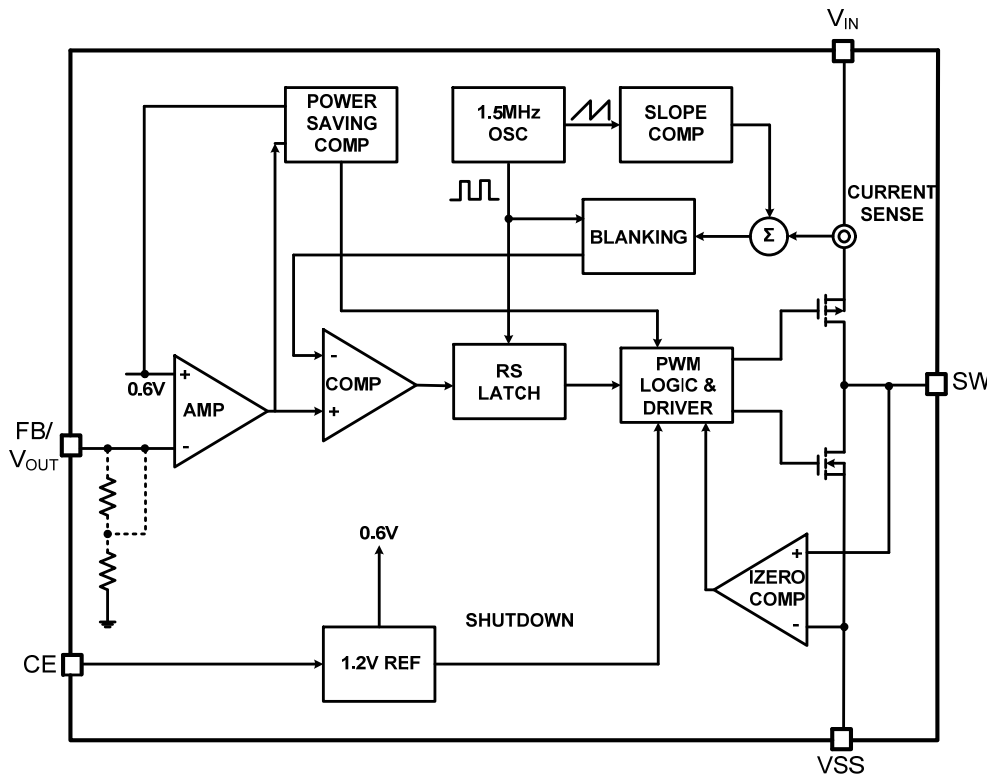
LR8501①②③④

DESIGNATOR	SYMBOL	DESCRIPTION
①	A	Standard
②③	Integer	Output Voltage e.g. 1.8V=②:1, ③:8 Adj=②:, ③:
④	M/MR	Package: SOT-23-5

Tabel1. Pin Description

PIN NUMBER		PIN NAME	FUNCTION
M	MR		
1	3	CE	Chip Enable Pin
2	2	V _{SS}	Ground
3	5	SW	External Inductor Connection Pin
4	1	V _{IN}	Power Input
5	4	V _{OUT} /FB	Output Pin/Feedback(ADJ Version)

■ BLOCK DIAGRAM



■ ABSOLUTE MAXIMUM RATINGS

PARAMETER	SYMBOL	RATINGS	UNITS
Input Voltage	V _{IN}	V _{SS} -0.3~V _{SS} +6.5	V
CE, SW, FB/V _{OUT} Voltage		V _{SS} -0.3~V _{IN} +0.3	V
Peak SW Sink and Source Current	I _{SWMAX}	1500	mA
Power Dissipation	SOT-23-5 Pd	400	mW
Operating Temperature	T _{opr}	-40~+85	°C
Junction Temperature	T _j	125	°C
Storage Temperature	T _{stg}	-40~+125	°C
Soldering Temperature & Time	T _{solder}	260°C, 10s	

■ ELECTRICAL CHARACTERISTICS
LR8501 Series (V_{IN}=CE=3.6V, T_a=25°C, Test Circuit Figure1, unless otherwise specified)

PARAMETER	SYMBOL	CONDITIONS	MIN	TYP	MAX	UNITS
Output Voltage	V _{OUT(F)} ⁽¹⁾	I _{OUT} = 100mA	V _{OUT} × 0.97	V _{OUT}	V _{OUT} × 1.03	V
Feedback Voltage	V _{FB}	T _A = 25°C	0.5880	0.600	0.6120	V
		0°C ≤ T _A ≤ 85°C	0.5865	0.600	0.6135	
		-40°C ≤ T _A ≤ 85°C	0.5850	0.600	0.6150	
Input Voltage	V _{IN}		1.8		5.5	V
Supply Current1 (Active MODE)	I _{SS1}	V _{FB} = 0.50V		270	400	μA
Supply Current2 (Power Saving Mode)	I _{SS2}	V _{FB} = 0.63V		40	50	μA
Shutdown Current	I _{SHDN}	V _{CE} = V _{SS}		0.1	1.0	μA
Feedback Current	I _{FB}	V _{FB} = 0.65V			±30	nA
Maximum Output Current	I _{OUT}	—	600			mA
V _{FB} Line Regulation	ΔV _{FB}	V _{IN} = 1.8V ~ 5.5V		0.40		%/V
Output Voltage Line Regulation	ΔV _{OUT}	V _{IN} = 1.8V ~ 5.5V I _{OUT} = 10mA		0.40		%/V
Output Voltage Load Regulation	ΔV _{LOAD}	I _{OUT} = 1mA ~600mA		0.02		%/mA
Oscillator Frequency	f _{osc}	V _{FB} = 0.6V or V _{OUT} = 100%	1.2	1.5	1.8	MHz
Peak Inductor Current	I _{PK}	V _{IN} = 3V, V _{FB} = 0.5V or V _{OUT} = 90%		1.0		A
R _{DS(ON)} OF P-CH FET	R _{PFET}	I _{SW} = 100mA		0.45	0.60	Ω
R _{DS(ON)} OF N-CH FET	R _{NFET}	I _{SW} = -100mA		0.35	0.50	Ω
SW Leakage	I _{LSW}	CE = 0, V _{SW} = 0 or 5V, V _{IN} = 5V		±0.01	±1	μA
CE "High" Voltage ⁽²⁾	V _{CE} "H"		1.5		V _{IN}	V
CE "Low" Voltage ⁽³⁾	V _{CE} "L"				0.3	V
CE Leakage Current	I _{CE}			±0.1	±1	μA

NOTE :

1. V_{OUT(F)}: The fixed voltage version effective output voltage.
2. High Voltage: Forcing CE above 1.5V enables the part.
3. Low Voltage: Forcing CE below 0.3V shuts down the device.

■ TYPICAL APPLICATION CIRCUITS

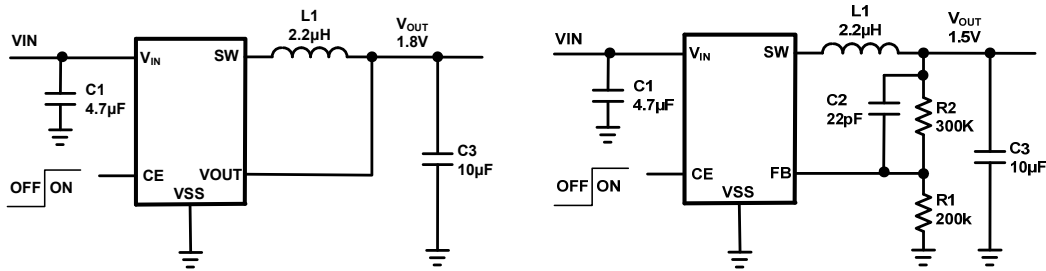
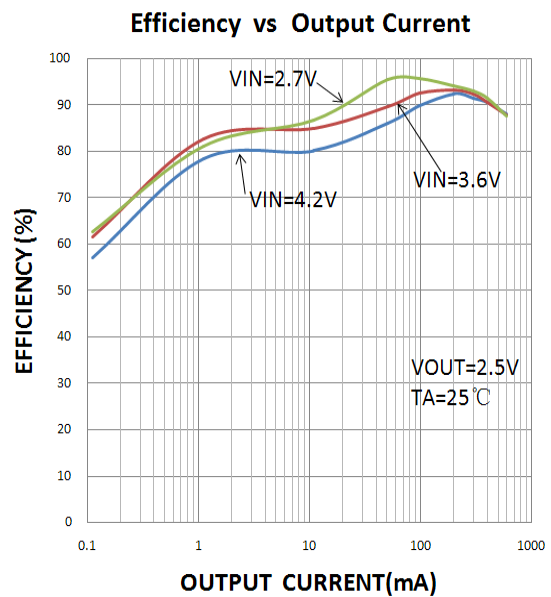
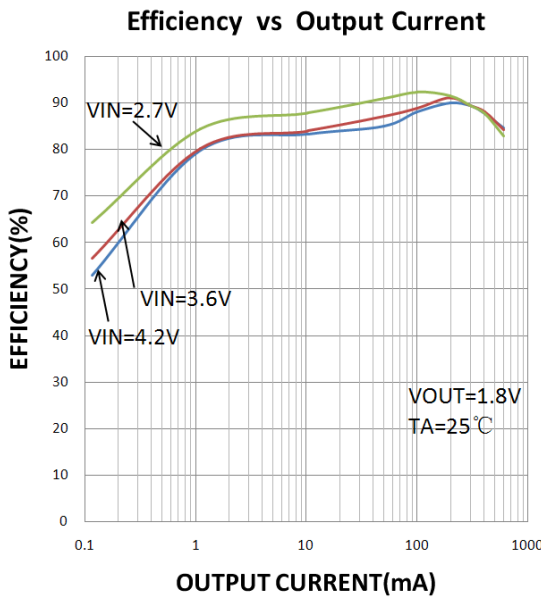
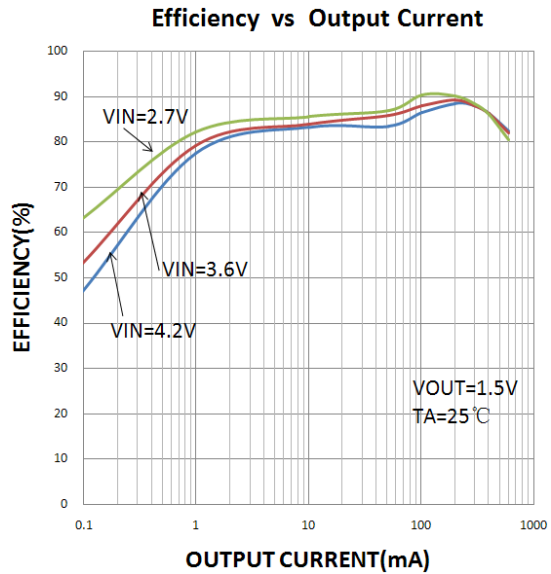
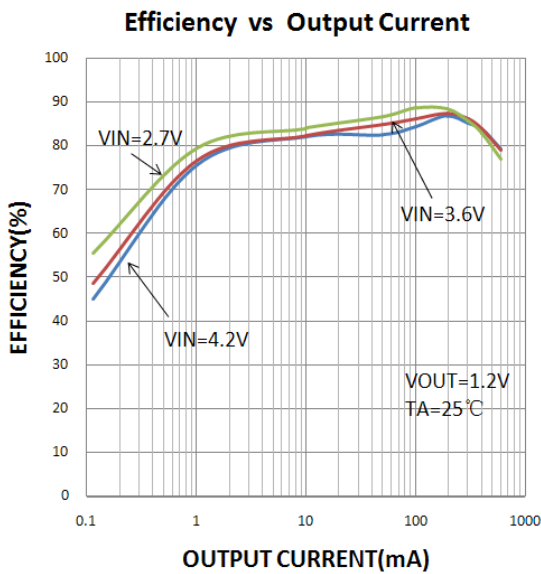
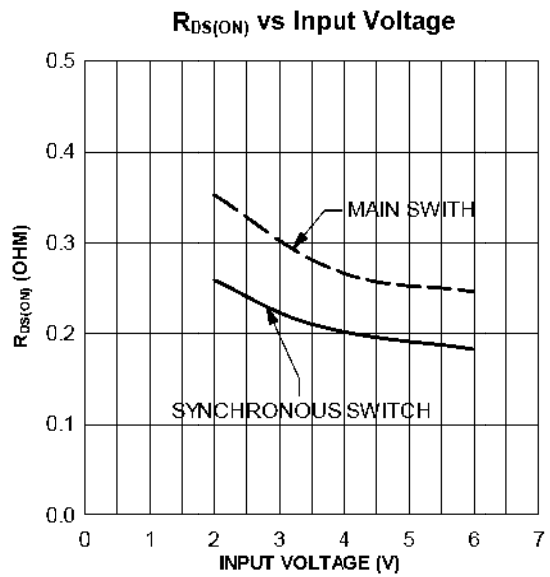
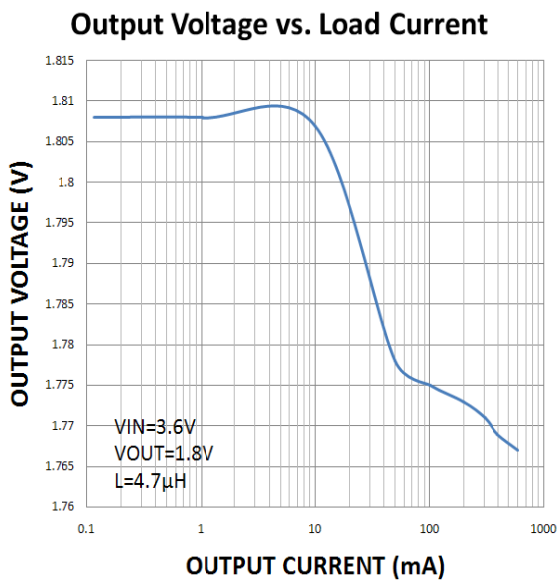
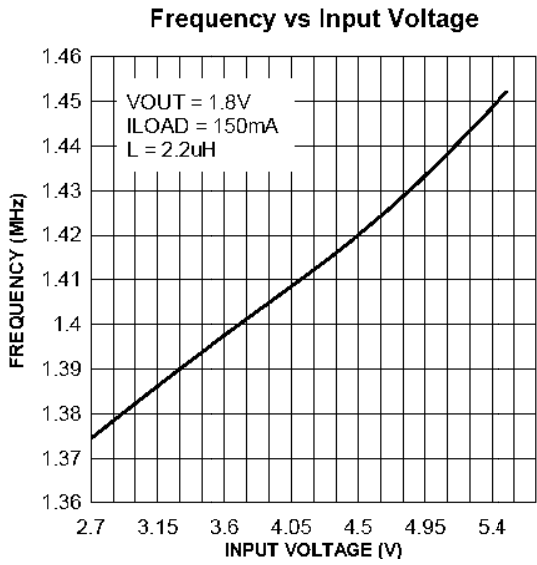
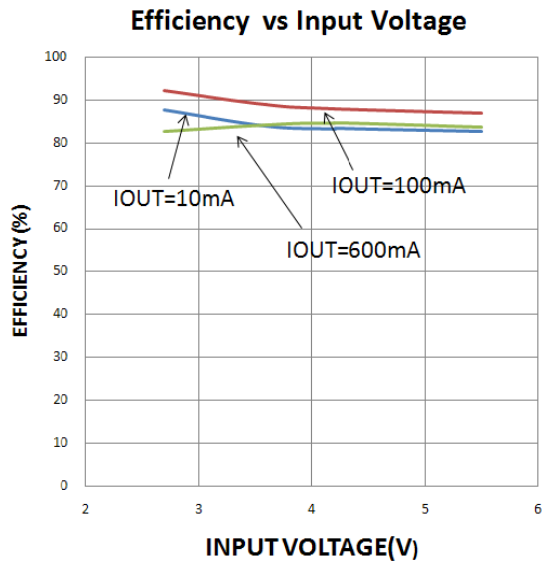
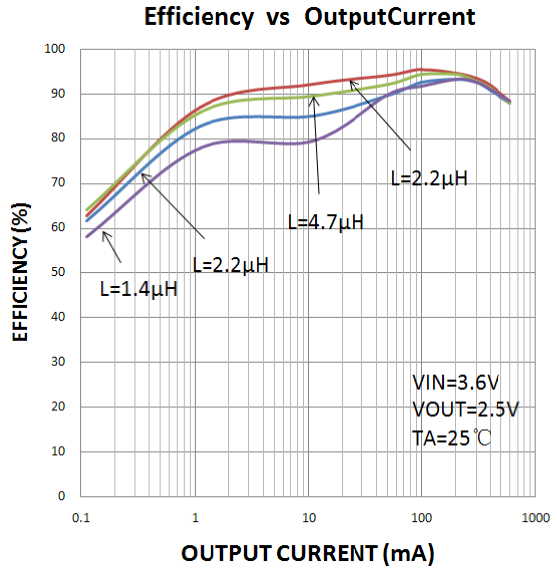
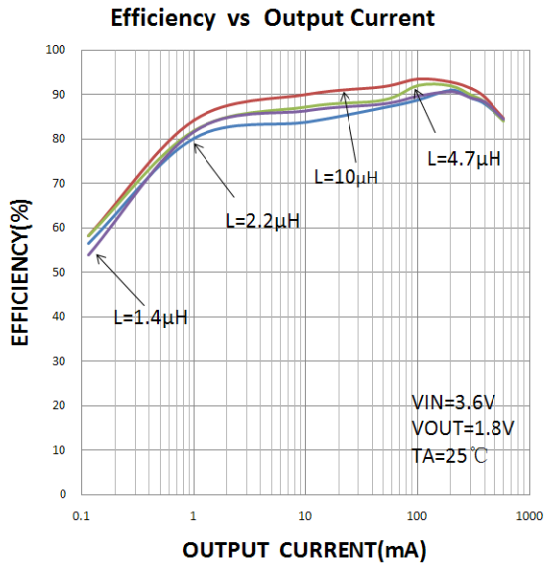


Figure1 Basic Application Circuit

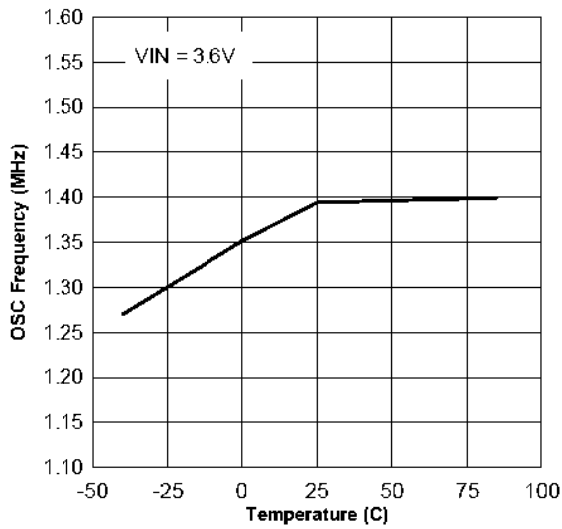
■ TYPICAL PERFORMANCE CHARACTERISTICS

(Test Figure1 above unless otherwise specified)

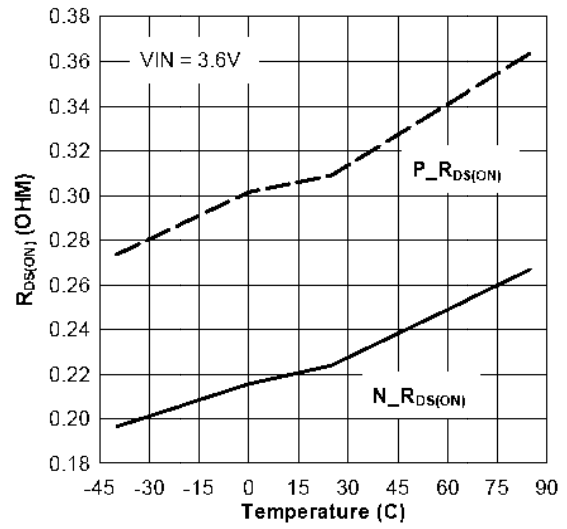




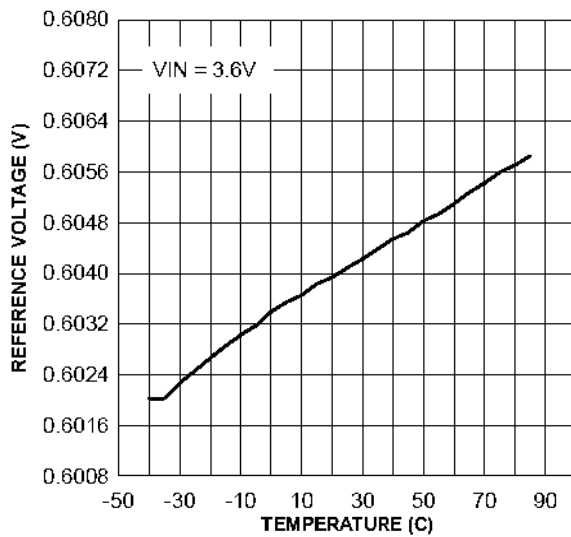
Frequency vs Temperature



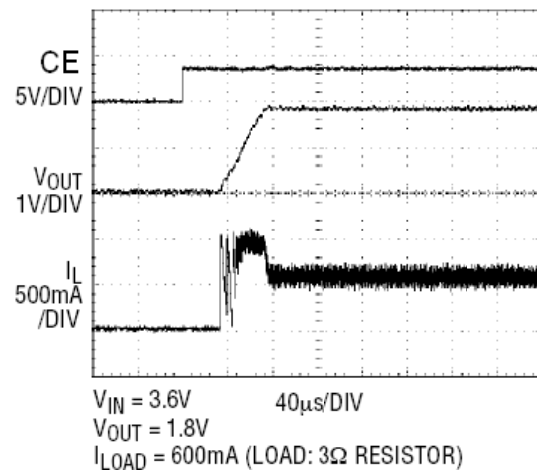
$R_{DS(ON)}$ vs Temperature



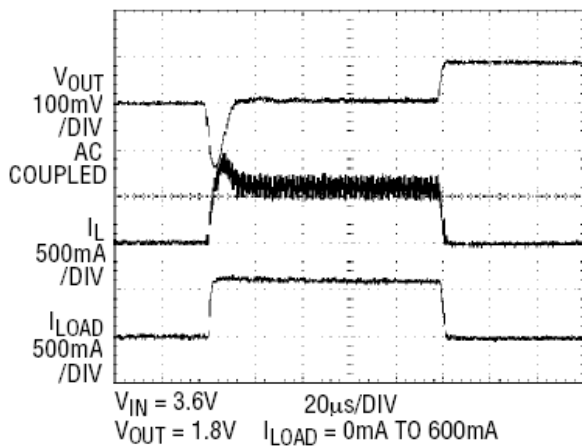
Reference Voltage vs Temperature



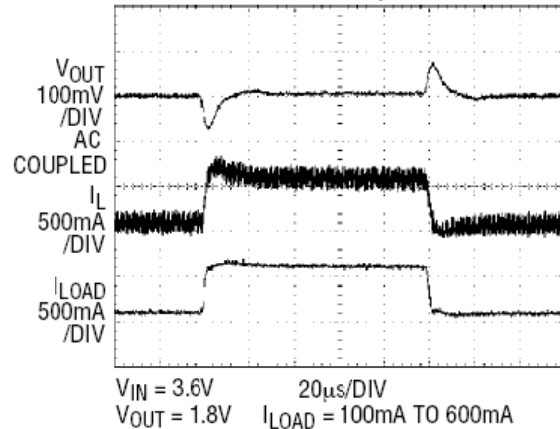
Start-Up from Shutdown



Load Step



Load Step



■ OPERATION

MAIN CONTROL LOOP

The LR8501 uses a constant frequency, current mode step-down architecture. Both the main (P-channel MOSFET) and synchronous (N-channel MOSFET) switches are internal. During normal operation, the internal top power MOSFET is turned on each cycle when the oscillator sets the RS latch, and turned off when the current comparator, I_{COMP} , resets the RS latch. The peak inductor current at which I_{COMP} resets the RS latch, is controlled by the output of error amplifier EA. When the load current increases, it causes a slight decrease in the feedback voltage, FB, relative to the 0.6V reference, which in turn, causes the EA amplifier's output voltage to increase until the average inductor current matches the new load current. While the top MOSFET is off, the bottom MOSFET is turned on until either the inductor current starts to reverse, as indicated by the current reversal comparator I_{RCMP} , or the beginning of the next clock cycle.

MAXIMUM LOAD CURRENT

The LR8501 will operate with input voltage as low as 1.8V, however, the maximum load current decreases at lower input due to large IR drop on the main switch and synchronous rectifier. The slope compensation signal reduces the peak inductor current as a function of the duty cycle to prevent sub-harmonic oscillations at duty cycles greater than 50%. Conversely the current limit increase as the duty cycle decreases.

DISCONTINUOUS MODE OPERATION

At light loads, the inductor current may reach zero reverse on each pulse. The bottom MOSFET is turned off by the current reversal comparator,

I_{RCMP} , and the switch voltage will ring. This is discontinuous mode operation, and is normal behavior for the switching regulator. At very light loads, the LR8501 will automatically skip pulses in discontinuous mode operation to maintain output regulation.

SLOPE COMPENSATION

Slope compensation provides stability in constant frequency architecture by preventing sub-harmonic oscillations at high duty cycles. It is accomplished internally by adding a compensating ramp to the inductor current signal at duty cycles in excess of 50%. This slope compensated current mode PWM control provides stable switching and cycle-by-cycle current limit for excellent load and line response.

POWER SAVING MODE OPERATION

At very light loads, the chip automatically enters power saving mode. In power saving mode at light load, a control circuit puts most of the circuit into sleep in order to reduce quiescent current and improve efficiency at light load. When the output voltage drops to certain threshold, the control circuit turns back on the oscillator and the PWM control loop, boosting output backup. When an upper threshold is reached, the control circuit again puts most of circuit into sleep, reducing quiescent current. During power saving mode operation, the converter positions the output voltage slightly higher than the nominal output voltage during PWM operation, allowing additional headroom for voltage drop during a load transient from light to heavy load. While the power saving mode improves light load efficiency, however, with the turning on and off, the noise or ripple voltage is

larger than that in the active Mode.

DROPOUT OPERATION

As the input supply voltage decreases to a value approaching the output voltage, the duty cycle increases toward the maximum on-time. Further reduction of the supply voltage forces the main switch to remain on for more than one cycle until reaches 100% duty cycle. The output voltage

will then be determined by the input voltage minus the voltage drop across the P-channel MOSFET and the inductor.

An important detail to remember is that at low inputs supply voltages, the $R_{DS(ON)}$ of the P-channel switch increases. Therefore, the user should calculate the power dissipation when the LR8501 is used at 100% duty cycle with low input voltage.

APPLICATION INFORMATION

The basic LR8501 application circuits are shown in Figure 1. External component selection is driven by the load requirement and begins with the selection of L followed by C_{IN} and C_{OUT} .

SETTING THE OUTPUT VOLTAGE

Figure1 shows the basic application circuit with LR8501 adjustable output version. The external resistor sets the output voltage according to the following equation:

$$V_{OUT} = 0.6V \times \left(1 + \frac{R2}{R1}\right)$$

Table 2. Resistor select for output voltage setting

V_{OUT}	R1	R2
1.2V	316K	316K
1.5V	316K	470K
1.8V	316K	634K
2.5V	316K	1M

INPUT CAPACITOR SELECTION

In continuous mode, the source current of the top MOSFET is a square wave of duty cycle V_{OUT}/V_{IN} . To prevent large voltage transients, a low ESR input capacitor sized for the maximum RMS current must be used. The maximum RMS capacitor current is given by:

$$C_{IN} \text{ required } I_{RMS} \cong I_{OMAX} \frac{[V_{OUT}(V_{IN} - V_{OUT})]^{1/2}}{V_{IN}}$$

This formula has a maximum at $V_{IN} = 2V_{OUT}$, where $I_{RMS} = I_{OUT}/2$. This simple worst-case condition is commonly used for design because even significant deviations do not offer much relief. Ceramic capacitors with X5R or X7R dielectrics are highly recommended because of their low ESR and small temperature coefficients. A 4.7 μ F ceramic capacitor for most application is sufficient.

INDUCTOR SELECTION

For most applications, the value of the inductor will fall in the range of 1 μ H to 4.7 μ H. Its value is chosen based on the desired ripple current. Large value inductor lower ripple current and small value inductor result in higher ripple currents. Higher V_{IN} or V_{OUT} also increases the ripple current as shown in the following equation:

$$\Delta I_L = \frac{V_{OUT} \times (V_{IN} - V_{OUT})}{V_{IN} \times L \times f_{osc}}$$

A reasonable starting point for setting ripple current is $\Delta I_L = 240\text{mA}$ (40% of 600mA). The DC current rating of the inductor should be at least equal to the maximum load current plus half the ripple current to prevent core saturation.

Different core materials and shapes will change the size/current and price/current relationship of an inductor. The choice of which

style inductor to use often depends more on the price vs. size requirements and any radiated field/EMI requirements than on what the LR8501 requires to operate. Table 3 shows some typical surface mount inductors that work well in LR8501 applications.

Table 3. Representative Surface Mount Inductors

PART NUMBER	VALUE (μH)	MAX DCR (mΩ)	MAX DC CURRENT (A)	SIZE W×L×H (mm ³)
Sumida CDRH 3D16	2.2	75	1.20	3.8×3.8×1.8
Sumida CR43	2.2	71.2	1.75	4.5×4.0×3.5
Sumida CDRH 4D18	2.2	75	1.32	4.7×4.7×2.0

Sumida CDRH 3D16	2.2	75	1.20	3.8×3.8×1.8
Sumida CR43	2.2	71.2	1.75	4.5×4.0×3.5
Sumida CDRH 4D18	2.2	75	1.32	4.7×4.7×2.0

OUTPUT CAPACITOR SELECTION

The selection of C_{OUT} is driven by the required effective series resistance (ESR). Typically, once the ESR requirement for C_{OUT} has been met, the RMS current rating generally far exceeds the I_{RIPPLE} requirement. The output ripple ΔV_{OUT} is determined by:

$$\Delta V_{OUT} \cong \Delta I_L \left(ESR + \frac{1}{8fC_{OUT}} \right)$$

Where f = operating frequency, C_{OUT} = output capacitance and ΔI_L = ripple current in the inductor. For a fixed output voltage, the output ripple is highest at maximum input voltage since ΔI_L increase with input voltage. Ceramic capacitors with X5R or X7R dielectrics are recommended due to their low ESR and high ripple current.

PCB LAYOUT GUIDANCE

When laying out the printed circuit board, the following suggestions should be taken to ensure proper operation of the LR8501.

1. The power traces, including the GND trace, the SW trace and the V_{IN} trace should be kept short, direct and wide to allow large current flow. Put enough multiply-layer pads when they need to change the trace layer.
2. Keep the switching node, SW, away from the sensitive FB node.
3. The FB pin should directly connect to the feedback resistors. The resistive divider R1/R2 must be connected between the (+) plate of C_{OUT} and ground.
4. Connect the (+) plate of C_{IN} to the V_{IN} pin as closely as possible.
5. Keep the (-) plate of C_{IN} and C_{OUT} as close as

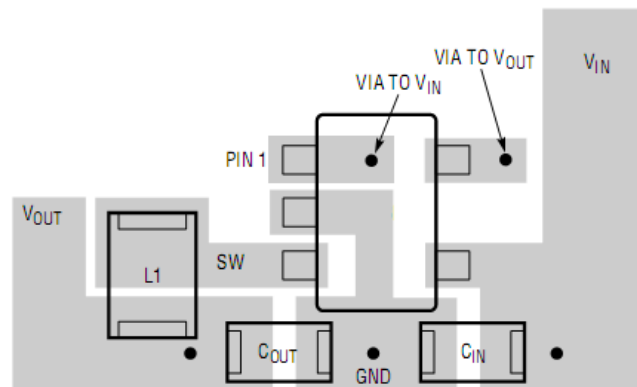
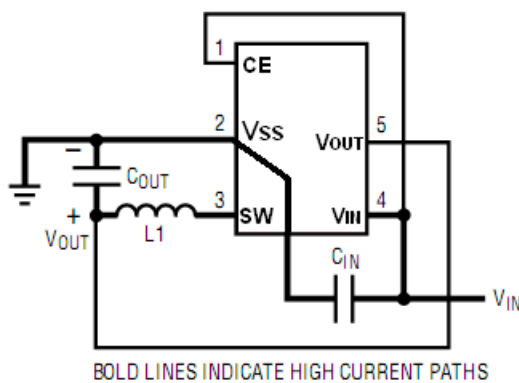


Figure 2a LR8501-1.8V Layout

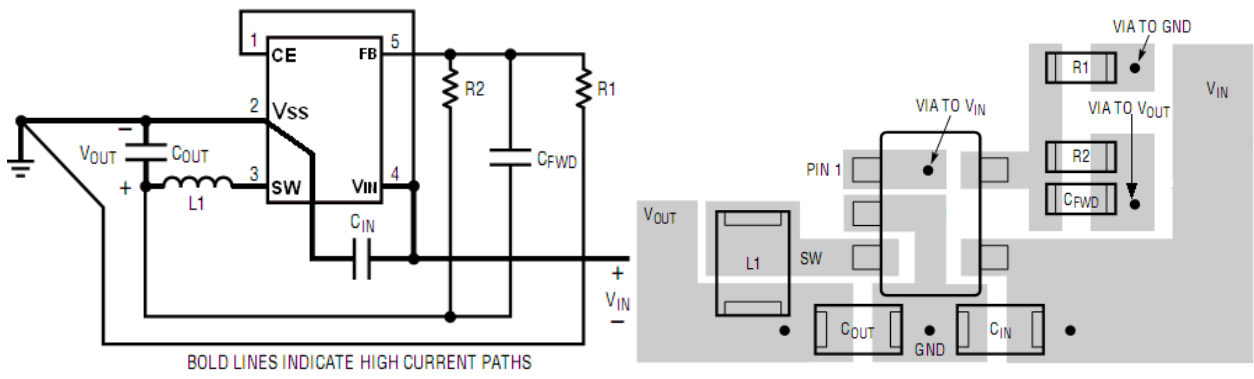
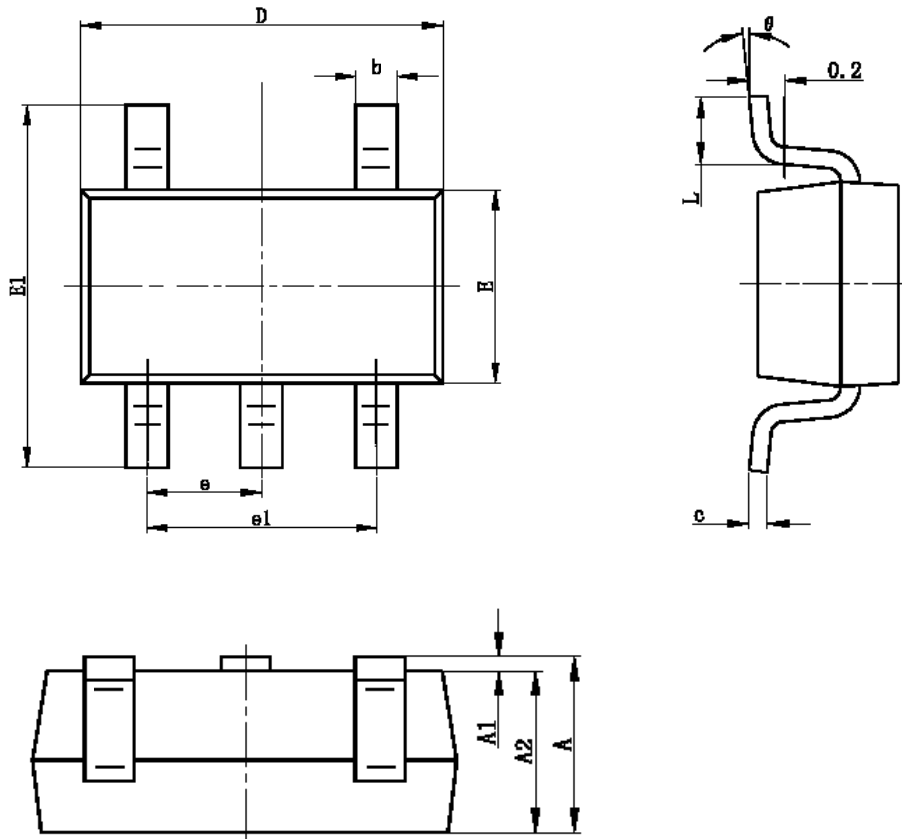


Figure 2b LR8501-Adj Layout

■ PACKAGING INFORMATION
● SOT23-5 Package Outline Dimensions


Symbol	Dimensions In Millimeters		Dimensions In Inches	
	Min	Max	Min	Max
A	1.050	1.250	0.041	0.049
A1	0.000	0.100	0.000	0.004
A2	1.050	1.150	0.041	0.045
b	0.300	0.500	0.012	0.020
c	0.100	0.200	0.004	0.008
D	2.820	3.020	0.111	0.119
E	1.500	1.700	0.059	0.067
E1	2.650	2.950	0.104	0.116
e	0.950(BSC)		0.037(BSC)	
e1	1.800	2.000	0.071	0.079
L	0.300	0.600	0.012	0.024
θ	0°	8°	0°	8°