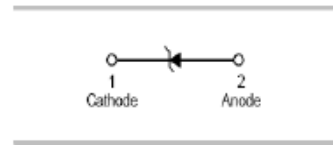


Plastic-Encapsulate Diodes

ESD5V0D5

FEATURES

- Reverse working(Stand-off) voltages:5.0V.
- Low leakage.
- Response time is typically<1ns.
- ESD Rating of Class 3(>16kV) per Human Body Model.
- IEC61000-4-2Level 4ESD Protection.



SOD-523

APPLICATIONS

- Designed to protect voltage sensitive components
From ESD and transient.

ORDERING INFORMATION

Type No.	Marking	Package Code
ESD5V0D5	ZF	SOD-523

MAXIMUM RATING @ Ta=25°C unless otherwise specified

Parameter	Symbol	Limits	Unit
IEC 61000-4-2 (ESD) Air Contact		± 30	kV
ESD voltage per human body model per machine model		16 400	kV V
Total power dissipation on FR-5 board(Note 1)	P _D	150	mW
Junction and Storage temperature range	T _j , T _{stg}	-55 to+150	°C
Thermal Resistance Junction-to Ambient	R _{θJA}	833	°C/W
Lead solder temperature range (10 Second Duration)	T _L	260	°C

Note 1.FR-5=1.0*0.75*0.62in

ELECTRICAL CHARACTERISTICS @ Ta=25°C unless otherwise specified

Device	Device Marking	V_{RWM}	$I_R(\mu A)$	$V_{BR}(V)$		I_T	$V_C@$	I_{PP}	$V_C@$	P_{PK}	$C(pF)$
		(V)	@ V_{RWM}	@ I_T			$I_{PP}=5A$		Max I_{PP}		
		Max.	Max.	Min.	Max.	mA	V	A	V	W	pF
GESD5V0D5	ZF	5.0	0.08	6.2	7.3	1.0	11.6	9.4	18.6	174	80

TYPICAL CHARACTERISTICS @ Ta=25°C unless otherwise specified

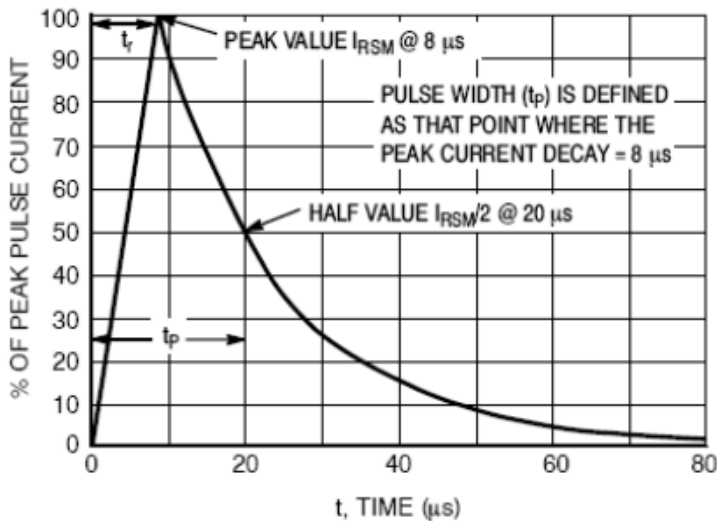


Figure 1. 8 x 20 µs Pulse Waveform

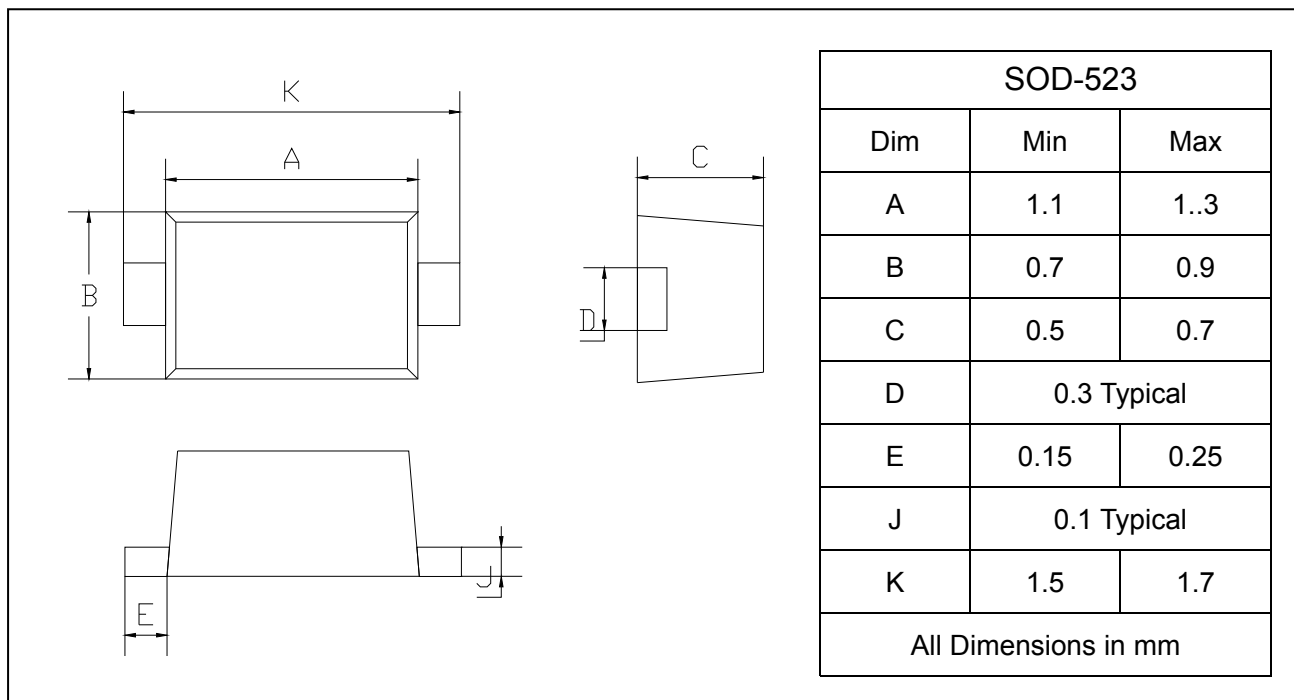
Plastic-Encapsulate Diodes

ESD5V0D5

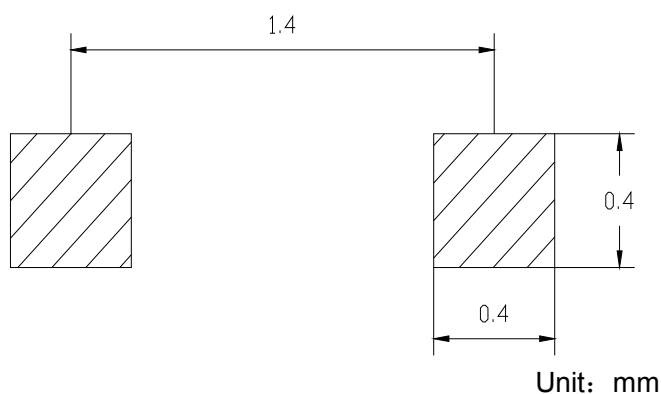
PACKAGE OUTLINE

Plastic surface mounted package

SOD-523



SOLDERING FOOTPRINT



PACKAGE INFORMATION

Device	Package	Shipping
ESD5V0D5	SOD-523	3000/Tape&Reel