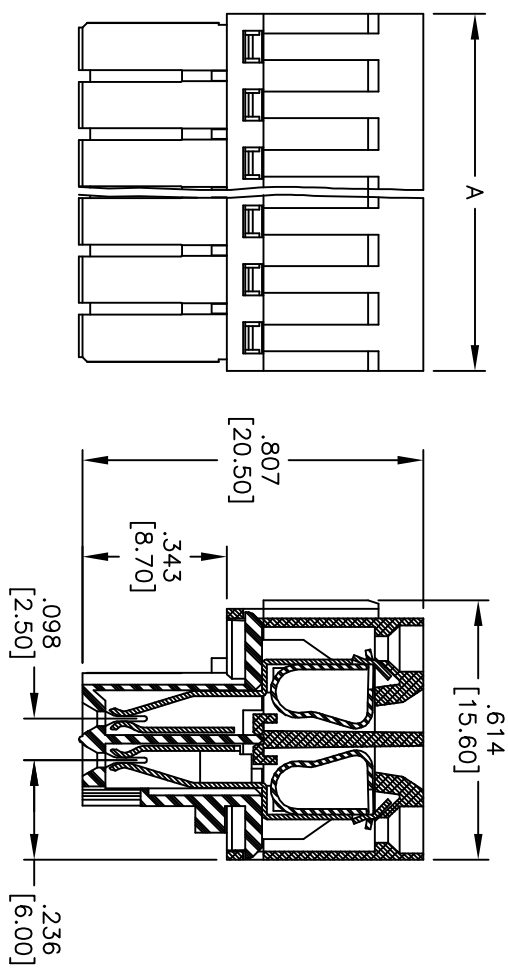
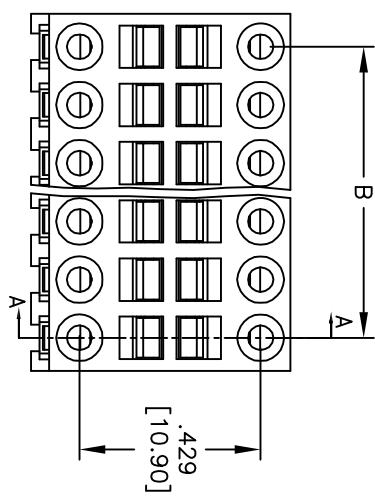


Rev	AWO #	Description	Date	Appr
-		RELEASED	11/12/10	

APPROVED: _____
 DATE: _____ TITLE: _____



SECTION A-A

Poles: 4, 6, 8 thru 48
 A = .138 [3.50] X No. of Spaces + .157 [4.00]
 B = .138 [3.50] X No. of Spaces

ADAM TECH
 909 Rahway Avenue, Union, NJ 07083
 Phone: 908-687-5000 Fax: 908-687-5710

TITLE
EURO BLOCK, .138 [3.50] PITCH
4 THRU 48 POLES

SIZE	PART NO.	REV.
X	EB121-XXA	-
REF: S00007T	SCALE: NTS	SHEET 1 OF 1

UNLESS OTHERWISE SPECIFIED
 ALL DIMENSIONS ARE MM [INCHES]
 TOLERANCES: EXCEPT AS NOTED
 INCHES Holes ±.10
 .X ±.10 ØXX ±.10
 .XX ±.020 ØXXX ±.015
 .XXX ±.015 ØXXXX ±.010

APPROVALS	DATE
DRAWN AY	11/12/10
CHECKED AW	11/12/10
APPROVED	

SPECIFICATIONS:

Material: Insulator: Thermoplastic, rated UL 94V-0
 Insulator color: Orange
 Spring clamp: Stainless steel
 Contact: Phosphor Bronze, Tin plated.
 Electrical:
 Operation voltage: 150 VAC
 Current rating: 7 Amps
 Solid wire: 18-28 AWG
 Stranded wire: 18-28 AWG
 Wire strip length: 7-8mm
 Mechanical:
 Withstanding Voltage: 1.6KV
 Environmental:
 Operating temperature: -40°C to +115°C
 Lead free, RoHS compliant.
 Recommended soldering temp: 235°C for 5 sec.



6 5 4 3 2 1