

THIS DRAWING IS UNPUBLISHED.

RELEASED FOR PUBLICATION

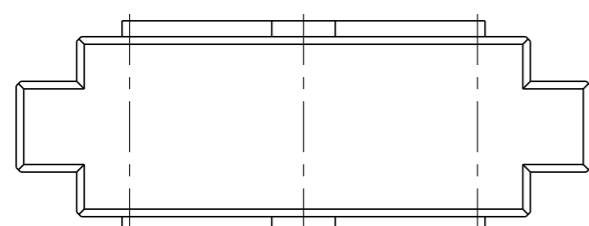
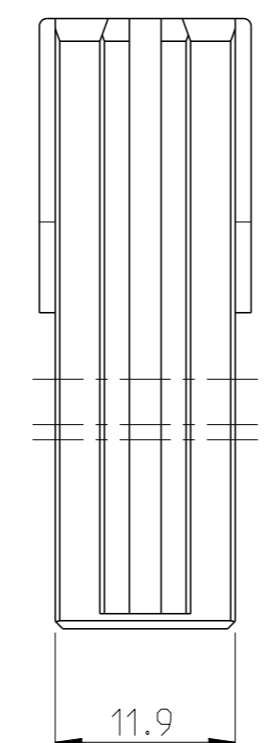
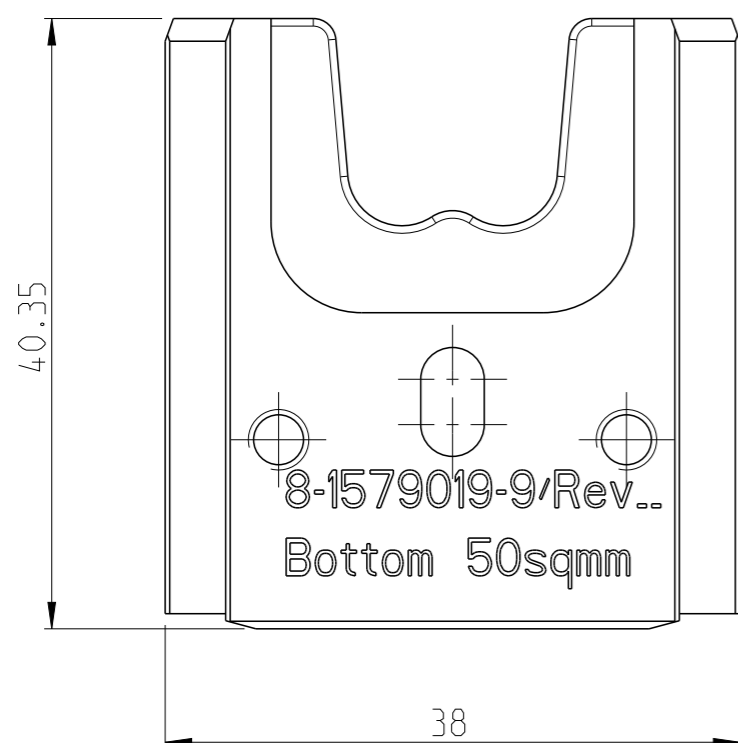
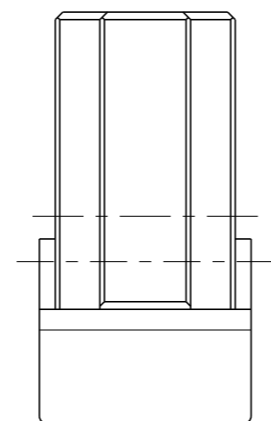
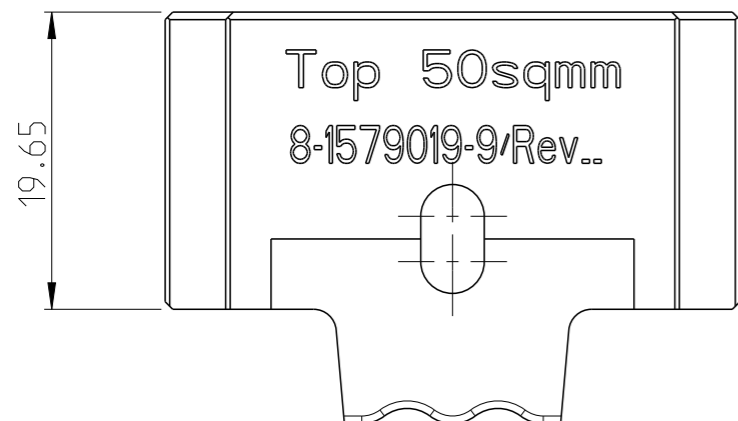
20


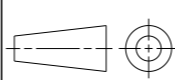
© COPYRIGHT 20 BY -

ALL RIGHTS RESERVED.

REVISIONS

P	LTR	DESCRIPTION	DATE	DWN	APVD
	A	Initial Release	27AUG2013	MG	RG



THIS DRAWING IS A CONTROLLED DOCUMENT.		DWN M. Goetz 27AUG2013	 TE Connectivity NAME DIE SET IPT-VW WIRE, 50SQ.MM DIE SET IPT-VW Draht, 50Q.MM							
DIMENSIONS: mm		CHK R. Germann 27AUG2013				SIZE	CAGE CODE	DRAWING NO	RESTRICTED TO	
		APVD R. Germann 27AUG2013				A3	-	8-1579019-9	-	
TOLERANCES UNLESS OTHERWISE SPECIFIED:		PRODUCT SPEC	APPLICATION SPEC		WEIGHT		SCALE	SHEET	OF	REV
0 PLC	±	-	-		183g		2:1	1	1	A
1 PLC	±	-		-		-		-		-
2 PLC	±	-		-		-		-		-
3 PLC	±	-		-		-		-		-
4 PLC	±	-		-		-		-		-
ANGLES	±1°	-		-		-		-		-
MATERIAL		FINISH		-		-		-		-
-		-		-		-		-		-
-		-		-		-		-		-