

THIS DRAWING IS UNPUBLISHED.

RELEASED FOR PUBLICATION

© COPYRIGHT

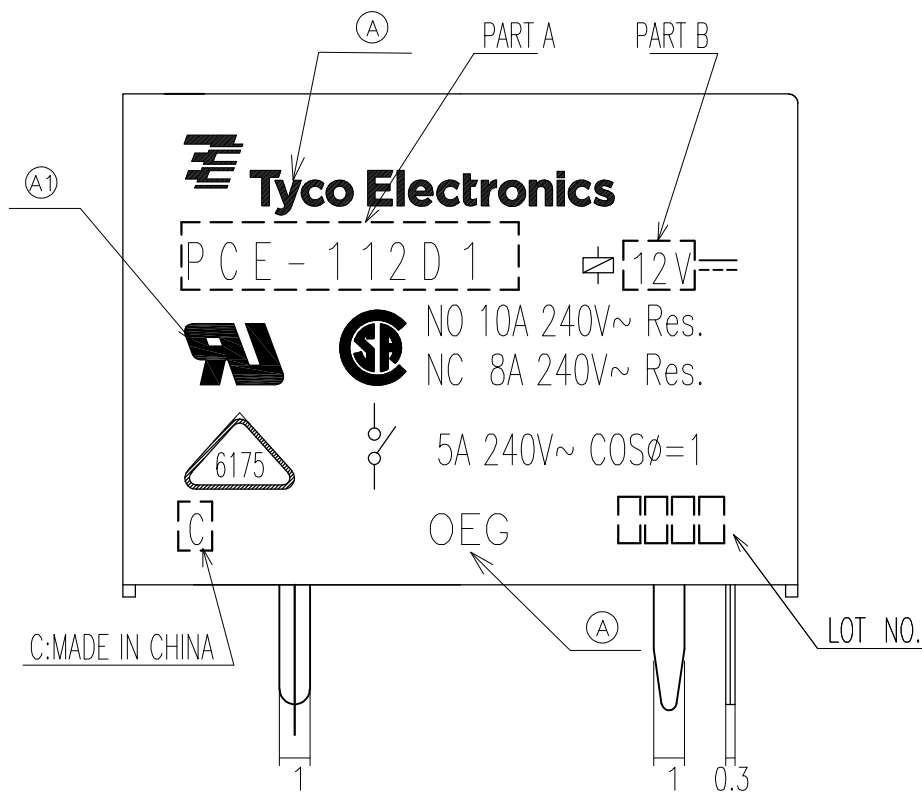
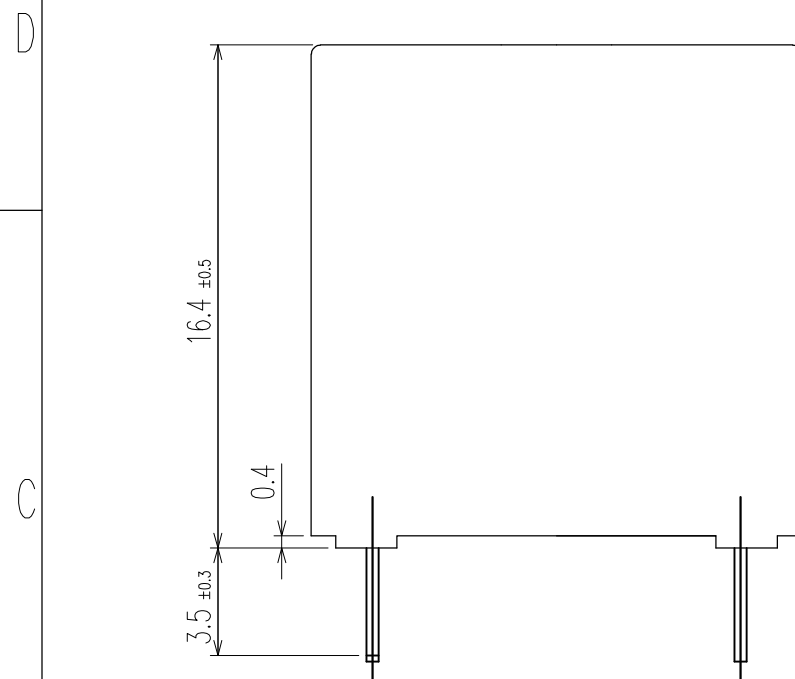
ALL RIGHTS RESERVED.

LOC HB

DIST

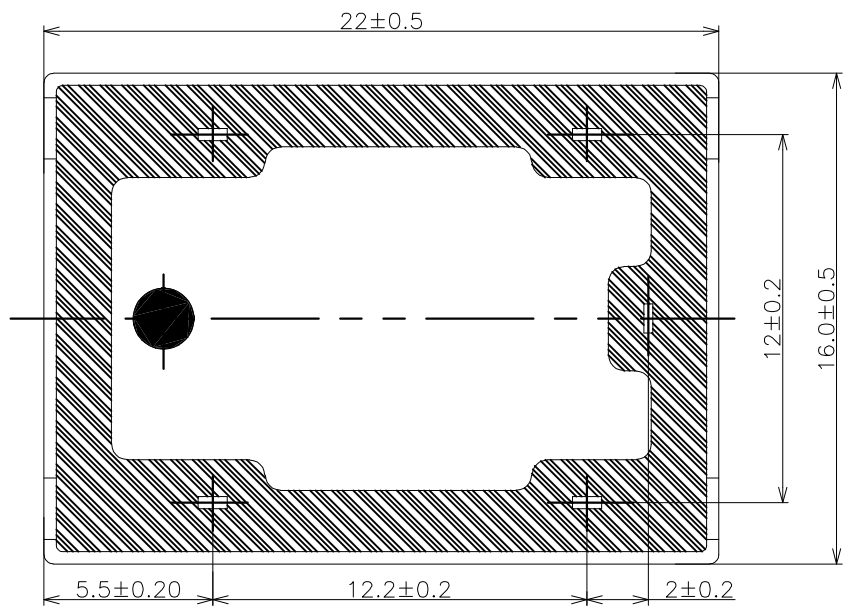
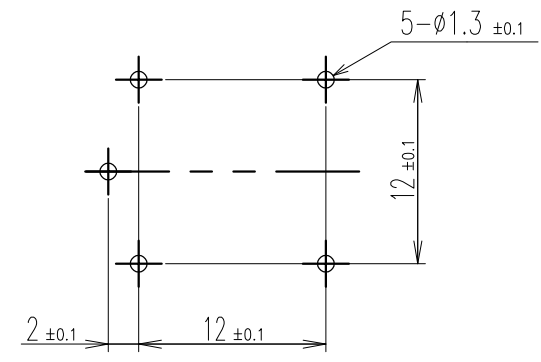
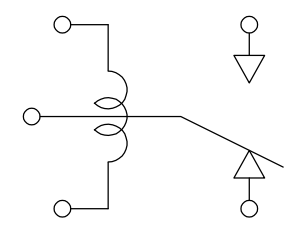
REVISIONS

P	LTR	DESCRIPTION	DATE	DWN	APVD
	A2	REVISED PER ECO-11-005140	29MAR11	RK	HMR

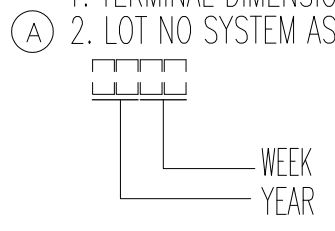


CIRCUIT DIAGRAM (BOTTOM VIEW)

DRILLING DIAGRAM (BOTTOM VIEW)



NOTES:
 1. TERMINAL DIMENSION IS BEFORE SOLDER DIP.
 2. LOT NO SYSTEM AS FOLLOWING:



GENERAL TOLERANCE

Diagram dimension	Tolerance
0.99mm max.	±0.1mm
1 - 2.99mm	±0.2mm
3mm min.	±0.3mm

DWN H.SASAKI		STE TE Connectivity	
CHK N.FUNAYAMA			
APVD A.NAGAI		NAME	
PRODUCT SPEC -		PCE-1**D1,000 CUSTOMER DRAWING	
APPLICATION SPEC -		SIZE A3	CAGE CODE 00779
WEIGHT -		DRAWING NO. 8-1419124-0	RESTRICTED TO -
CUSTOMER DRAWING		SCALE 4:1	SHEET 1 OF 2
		REV A2	

DIMENSIONS:	TOLERANCES UNLESS OTHERWISE SPECIFIED:
mm	0 PLC ±
	1 PLC ±
	2 PLC ±
	3 PLC ±
	4 PLC ±
	ANGLES ±

MATERIAL -	FINISH -
------------	----------

4 THIS DRAWING IS UNPUBLISHED.

3 RELEASED FOR PUBLICATION

2 LOC

DIST

1 REVISIONS

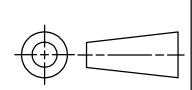

© COPYRIGHT

ALL RIGHTS RESERVED.

P	LTR	DESCRIPTION	DATE	DWN	APVD

3-1419125-0	PCE-148D1H ,000	48V	PCE-148D1H	k
1-1419146-8	PCE-148D1 ,000	48V	PCE-148D1	j
1-1419125-4	PCE-124D1H ,000	24V	PCE-124D1H	i
1-1419125-2	PCE-124D1 ,000	24V	PCE-124D1	h
1-1419146-5	PCE-118D1H ,000	18V	PCE-118D1H	g
9-1419124-6	PCE-112D1H ,000	12V	PCE-112D1H	f
9-1419124-4	PCE-112D1 ,000	12V	PCE-112D1	e
9-1419124-0	PCE-109D1H ,000	9V	PCE-109D1H	d
8-1419124-4	PCE-106D1H ,000	6V	PCE-106D1H	c
8-1419124-1	PCE-105D1H ,000	5V	PCE-105D1H	b
8-1419124-0	PCE-105D1 ,000	5V	PCE-105D1	a
PART NO	TE CONNETIVITY TYPE NAME	PART B	PART A	ITEM

RELAY TYPE

DIMENSIONS: mm 	TOLERANCES UNLESS OTHERWISE SPECIFIED: 0 PLC ± 1 PLC ± 2 PLC ± 3 PLC ± 4 PLC ± ANGLES ±	DWN	 TE Connectivity
		CHK	
MATERIAL	FINISH	APVD	NAME
		PRODUCT SPEC	PCE-1**D1,000 CUSTOMER DRAWING
CUSTOMER DRAWING	WEIGHT	APPLICATION SPEC	SIZE
		SIZE A3 CAGE CODE 00779 DRAWING NO C= 8-1419124-0 RESTRICTED TO -	
		SCALE 4:1	SHEET 2 OF 2
		REV A2	