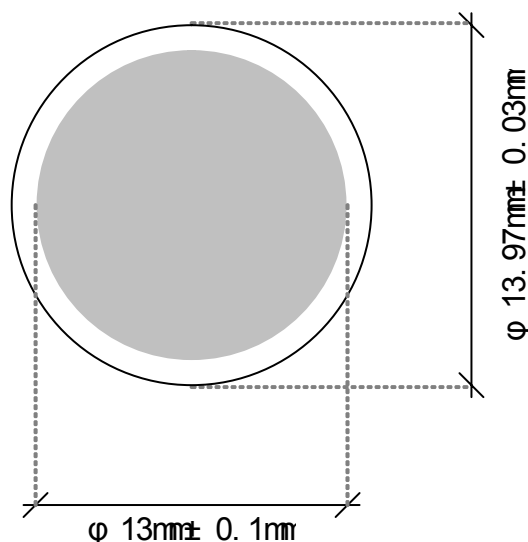


Specification	AXQCM500-Ag	Rev.:3	Date: 2014-06-02
---------------	-------------	--------	------------------

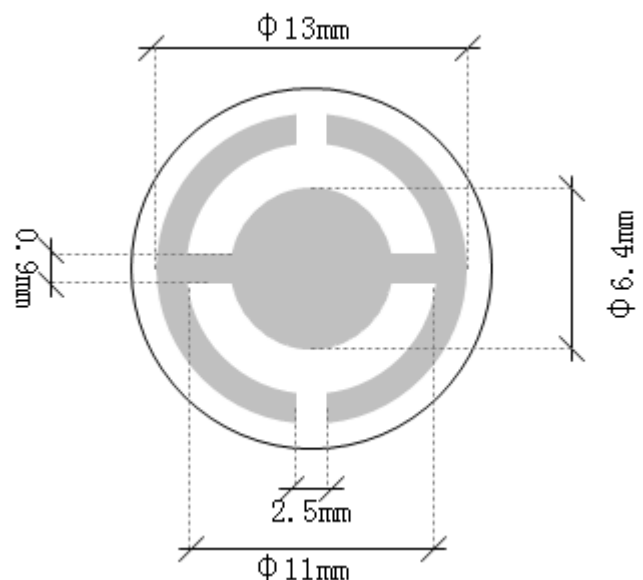
Type : **Quartz Crystal Microbalance Element (Monitor Crystal)**  
(Electrodes Maxtek Style)

Parameter	min.	typ.	max.	Unit	Condition
Nominal frequency		5.000		MHz	
Adjustment frequency		4.960		MHz	
Crystal cut		AT			
Overtone		1			
Adjustment tolerance	-7		+7	kHz	@ 25°C
Frequency stability					
Over operating temperature range	-50		+50	ppm	
Resonance resistance $R_r$			15	$\Omega$	
Motional capacitance $C_1$				fF	
Shunt capacitance $C_0$			7	pF	
Drive level		100		$\mu$ W	
Operating temperature range	0		+70	°C	
Storage temperature range	-40		+105	°C	
QCM diameter		13.97±0,03		mm	
Blank surface quality		Fine lapped			
Electrode diameter Side A		13.00 ± 0.1		mm	Fully plated
Electrode material Side A		Cr-Ag			
Electrode diameter Side B		6.4		mm	See drawing
Electrode material Side B		Cr-Ag			

Side A (Plane)



Side B (Convex)



Ordering Code:

Model (Specification)	Frequency [MHz]
AXQCM500-Ag	4.960

**Revision History**

<b>Rev.</b>	<b>Drawing</b>	<b>Date</b> [dd.mm.yyyy]	<b>Remarks</b>	<b>Author</b>	<b>Checked</b>
2.1	D0	10.12.2013		EP	BN
3	D1	02.06.2014	Editorial changes	BN	BN