

Progressive Down Light 2

LED lighting system for fuel canopies

Progressive Down Light 2 for petroleum canopies is a universal 1-for-1 upgrade of existing canopy lights. This luminaire continues to set new standards with its revolutionary design, optimized radiation pattern, and slim profile.

- Directs light to the dispensers with a smooth transition away from the canopy
- Installs with one person and does not require site surveys
- **Saves up to 78% energy compared with typical HID fixtures**

Shoobox plate – Mounts directly to or hides the footprint of the previous 2' × 2' HID fixture, eliminating the need to touch-up, paint, or install custom trims.

Reflective bars – Reflect light towards street traffic to make the canopy more visible.

Occupancy sensing – Dims lights with optional controls based on customer occupancy to further increase energy savings.

Specifications

Electrical

Input voltage	100-277 VAC, 50-60 Hz
System power	100 W

Lighting

Light output	10,300 Lumens (100 W)
Light distribution	Symmetric (Type 5)
Color	5000 K CCT
Color rendering	70 CRI

Performance

Ingress Protection	IP68 (highest dust and water protection)
Operating temperature	-30 °C to 70 °C
Life rating	100,000 hours (L ₇₀) ¹
Dimming (optional)	1-10 VDC control on power supply

Construction

Frame	Polycarbonate
Heat plate	Aluminum, powder coated for extreme conditions
Body color	White
Lens	Tempered glass

Mounting

Light	4 self drilling sheet metal screws (included)
Power supply	Junction box, non-standard (sold separately)

Documentation

Warranty	5 year limited
Agency listings	UL, CE, DesignLights Consortium® (DLC), RoHS, Title 24 Compliant
Files available	LM-79, IES

Exterior

Downlighting



Project Name/Location

Part Number

Notes#

Date

¹ Based on LED component manufacturer data.



SloanLED[®]
Leaders in LED Technology
Lighting Systems

Ordering Information

Product	Part Number
Progressive Down Light 2'	701948-5WSWT2

Power Supplies

Description	Part Number
Power Supply, 100 W	701950-100Y1
Power Supply, 75 W	701950-075Y1
Power Supply, Dimming ^{2,4}	701957

Dimming²

Description	Part Number
Dimming Controller	701969
Occupancy Sensor	701953

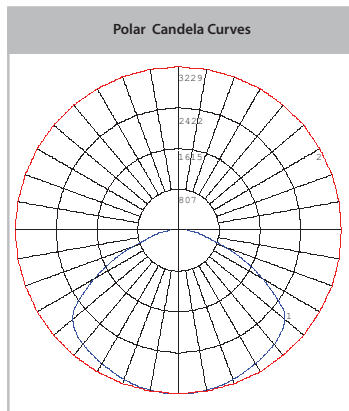
Accessories³

Description	Part Number
Junction Box (Custom)	701952
Shoebox Plate	401397
Blank Plate (De-lamping)	401219
Install Template ⁵	401398

- 1 Power supply not included.
- 2 See dimming control data sheet for PDL 2.
- 3 See Accessories Guide on page 3.
- 4 Can be set to either 100 W or 75 W.
- 5 Template is clear reusable polycarbonate. Recommended (1) per work crew to align fixture and reduce installation time.

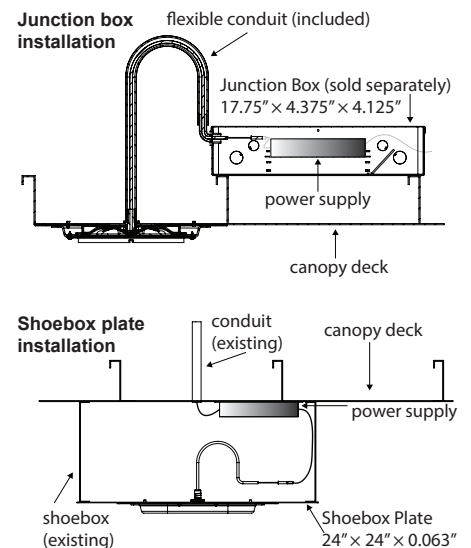
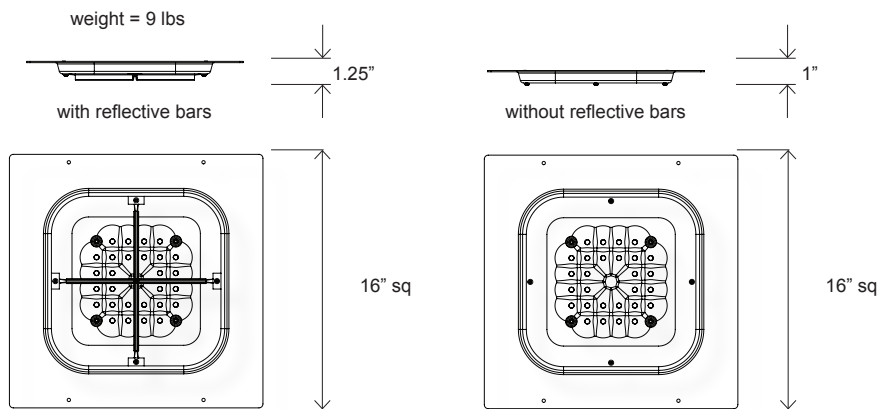
Photometrics

Single fixture

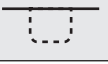
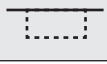

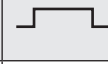


■ (1) Vertical Plane ■ (2) Horizontal Cone

Dimensions

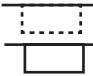


Accessories Guide

Description	Part Number	New		Replacement		Retrofit	
		Single Skin	Double Skin				
Junction Box (Custom)	701952	✓		✓	✓		
Shoebox/Cover Plate	401397				optional ¹	✓	✓

¹ Can be used to cover silhouette of original fixture once removed.

 Vertical lamp fixture (Scottsdale)

 Horizontal lamp fixture (Shoebox or 2x2)

 Recessed fixture