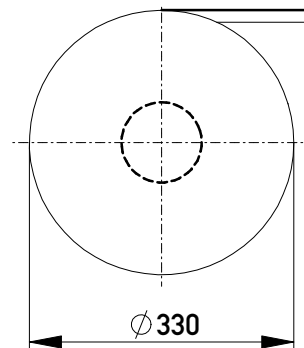
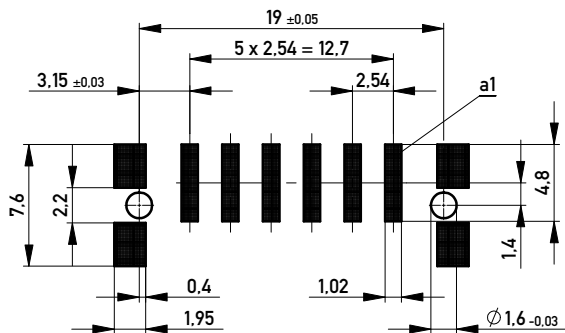


Verpackt im Gurt in Anlehnung an DIN IEC 60286-3
 Tape on Reel Packaging according to DIN IEC 60286-3
 Verpackungseinheit: 320 Stück
 Packaging unit: 320 pcs



← Abspulrichtung - Reel off Direction

Leiterplatten-Layout Vorschlag für SMT
 PCB-Layout Proposal for SMT

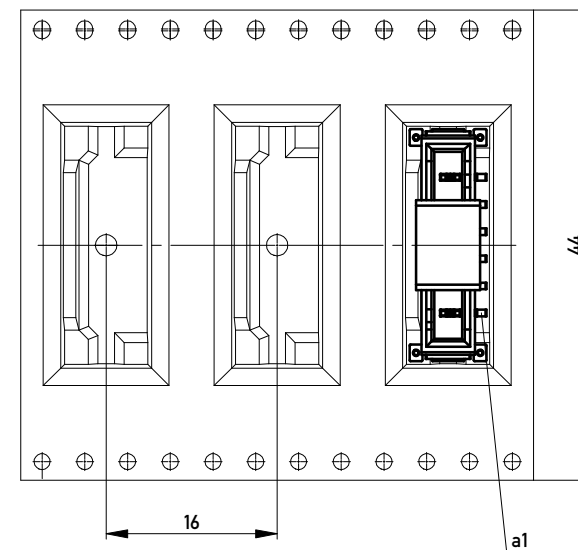


Anforderungsstufe 1
 Performance Level 1

Kontaktbereich vergoldet
 Mating Area gold plating

Anschlussbereich verzinnt 4-6 µm
 Terminal Area 4-6 µm tin plating

Koplanarität der Anschlüsse ≤ 0.1 mm
 Coplanarity Area of Termination ≤ 0.1 mm



Information: Codierung schwarz - coding black	Tolerances All Dimensions in mm	Scale	3:1
		Designation M 2.54 SRC-P, 6-polig	
All rights reserved. Only for Information. To ensure that this is the latest version of this drawing, please contact one of the ERNI companies before using.	Subject to modification without prior notice. Drawing will not be updated.	105303880001	
		www.ERNI.com	Class SRCP
h Index	23.02.2016 Date	K A3	

Copyright by ERNI GmbH
 Proprietary notice pursuant to ISO 16018 to be observed.