

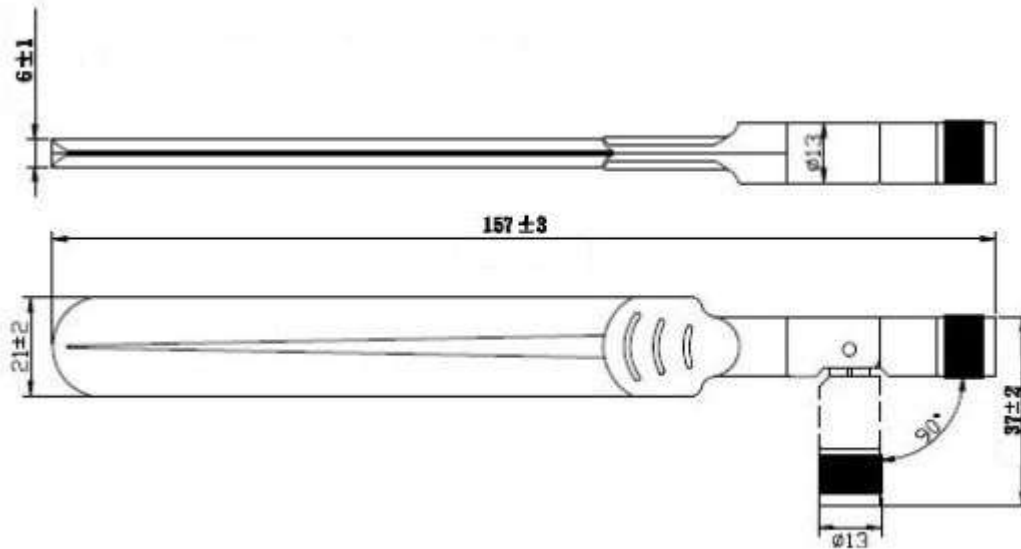
Electrical Specifications

Parameters	Specification	Unit
Frequency Range	824 ~ 960 1710 ~ 2700	MHz
VSWR	1.5	-
Impedance	50	Ω
Gain, max	3.0	dBi
Azimuth	Omni-direction	-
Polarization	Vertical	-
Power	50	W
Lighting Protection	Direct-current earth	-
Operating Temperature Range	-40 ~ +60	$^{\circ}\text{C}$
Storage Temperature Range	-40 ~ +85	$^{\circ}\text{C}$

Mechanical Specifications

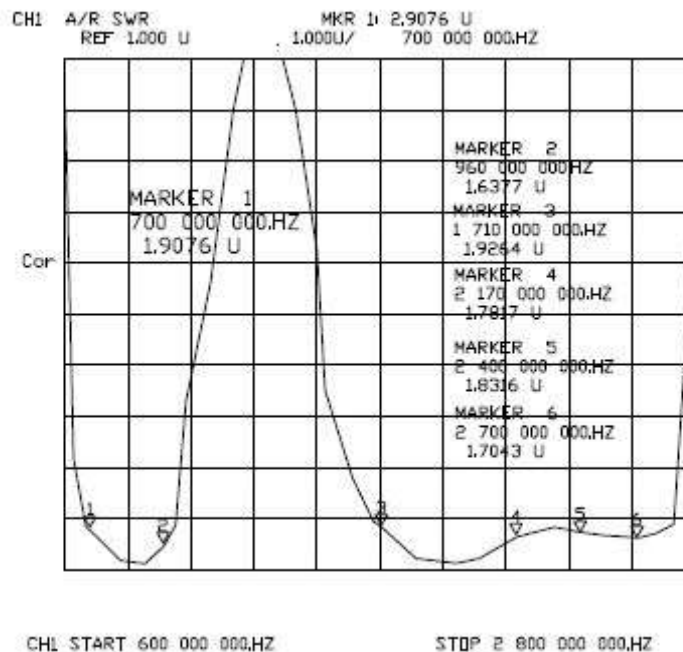
Parameters	Specification	Unit
Antenna Cover	TPE	-
Antenna Base	PBT + PC	-
RF Connector	SMA	-
RF Cable	Type	RG178
	Impedance	50
Radome Color	Black	-

Dimensions



Dimensions in mm

Frequency Characteristics



May, 2016