

RST-MB-P-153-SMA-G

Electrical Specifications

Parameters	Specification	Unit
Frequency Range	699~960/1575/1710~2690 AMPS: 824~894 GSM: 900 GPS: 1575.42 DCS: 1800 PCS: 1900 3G/UMTS: 2100 WiFi/BLUETOOTH: 2400	MHz
VSWR, max	699 ~ 2500 MHz	2.5
	2500 ~ 2690 MHz	5.0
Impedance	50	Ω
Gain, typ	3.0	dBi
Polarization	Vertical	-
Power	50	W
Operating Temperature Range	-40 ~ +80	$^{\circ}\text{C}$
Storage Temperature Range	-40 ~ +85	$^{\circ}\text{C}$

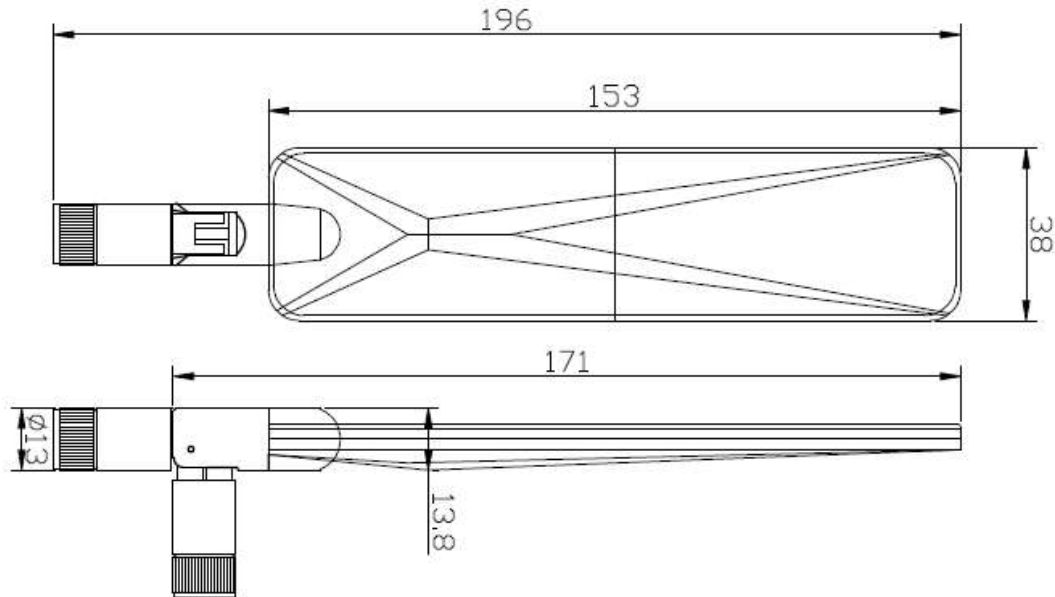
Mechanical Specifications

Parameters	Specification	Unit
Antenna Cover	TPE	-
Antenna Base	PBT + PC	-
RF Connector	SMA MALE	-
Radome Color	Black	-

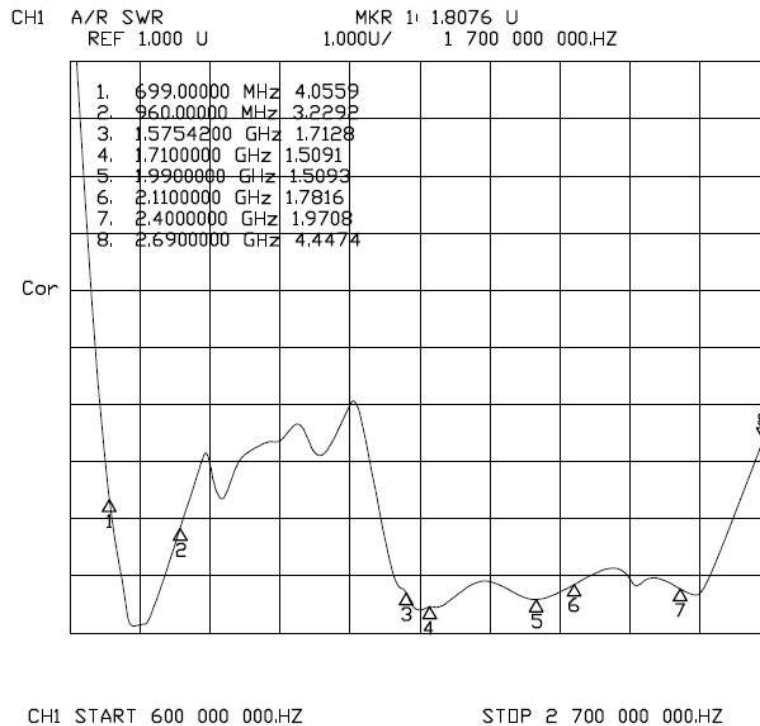
RST-MB-P-153-SMA-G

of 3

Dimensions



Frequency Characteristics



May, 2016

RST-MB-P-153-SMA-G

page 3

of 3
