

# OV20880 20MP product brief



## 20-Megapixel Second-Generation 1.0-Micron PureCel® Plus-S Sensor for Smartphones



available in  
a lead-free  
package

OmniVision's OV20880 is an ultra-compact image sensor designed specifically to bring 20-megapixel resolution to high-end, dual-camera mobile zoom solutions using OmniVision's second-generation, 1.0-micron PureCel® Plus-S pixel technology. The OV20880 offers advanced features such as zig-zag high dynamic range (zHDR), phase detection autofocus (PDAF), and support for dual-camera functionality with context switching, scaler and electronic image stabilization (EIS). The on-chip EIS also enables advanced capabilities such as image deblur.

zHDR uses a long and a short exposure in a single frame to extend dynamic range capabilities of the sensors. Long and short exposure lines are diagonally interlaced across the entire pixel array in a zig-zag pattern. This

enables live preview and video recording in HDR mode and single-shot full-resolution HDR images in capture mode without any shutter lag.

The OV20880 captures full-resolution 20-megapixel images and video with zHDR capability at 30 fps, ultra-high-resolution 4K2K video with full field-of-view at 60 fps, and 1080p high definition (HD) video at 120 fps. The OV20880 offers both MIPI D-PHY and C-PHY interfaces.

The OV20880 comes in a package size of 8.5 x 8.5 mm with a z-height of 5.3 mm.

Find out more at [www.ovt.com](http://www.ovt.com).



## Applications

- Smartphones
- Video Conferencing
- PC Multimedia

## Product Features

- automatic black level calibration (ABL)
- programmable controls for:
  - frame rate
  - mirror and flip
  - cropping
  - windowing
- support for dynamic DPC cancellation
- supports output formats:
  - 10-bit RAW RGB
  - DPCM 10-8 compression
- supports horizontal and vertical subsampling
- supports typical images sizes:
  - 5184 x 3888
  - 3840 x 2160
  - 2560 x 1440
  - 1920 x 1080
  - 1280 x 720
  - 1000 x 568
  - 800 x 480
- programmable I/O drive capability
- standard serial SCCB interface with speed up to 1 MHz (when clock input is >10 MHz)
- up to 4-lane MIPI TX interface with speed up to 1.92 Gbps/lane
- embedded 20 kbits of one-time programmable (OTP) memory
- sequential multi-frame HDR and ZigZag HDR support
- phase detection auto focus (PDAF) pixels with bypass PD pixels
- gyro interface with 4-wire SPI and EIS support
- long exposure time of up to 30 seconds
- two on-chip phase lock loops (PLLs)
- built-in temperature sensor
- typical module size: 8.5 x 8.5 x 5.3 mm

# OV20880



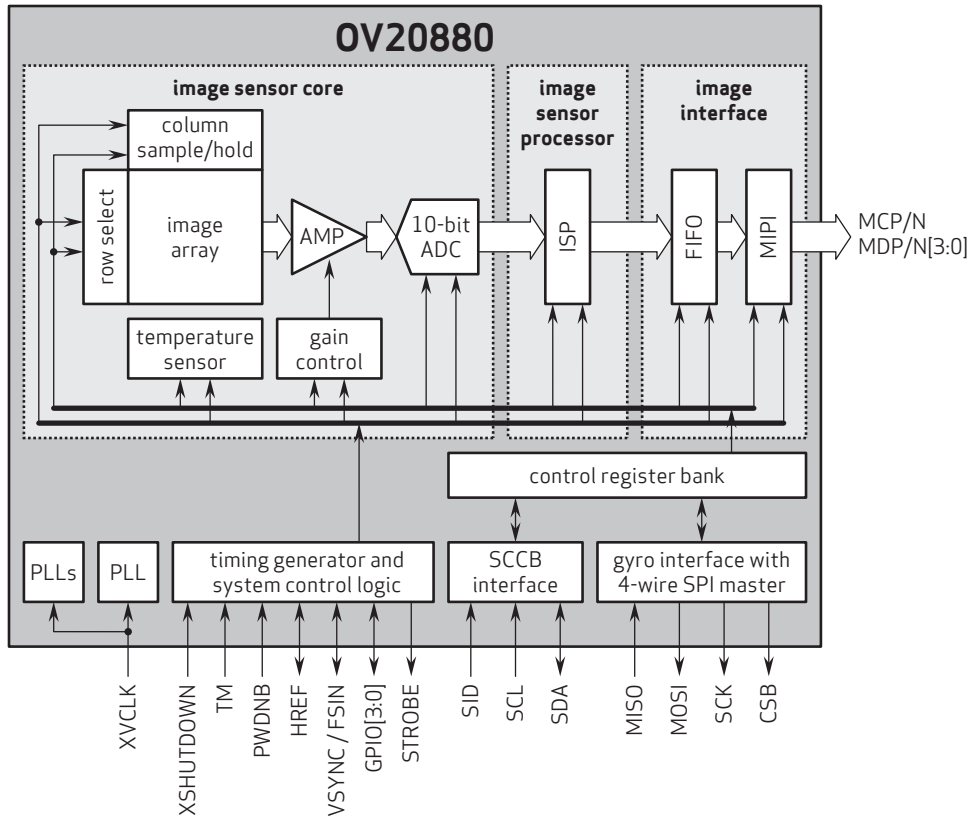
## Ordering Information

- OV20880-GA5A**  
(color, chip probing, 150 μm backgrinding, reconstructed wafer with good die)

## Product Specifications

- active array size:** 5184 x 3888
- power supply:**
  - core: 1.05V
  - analog: 2.8V
  - I/O: 1.8V
- power requirements:**
  - active: 349 mW
  - standby: 10 mW
  - XSHUTDOWN: 5 μA
- temperature range:**
  - operating: -30°C to +85°C junction temperature
  - stable image: 0°C to +60°C junction temperature
- output formats:** 10-bit RGB RAW, DPCM 10-8 compression
- lens size:** 1/2.76"
- lens chief ray angle:** 34.86° non-linear
- maximum image transfer rate:** -5184x3888: 30 fps
- input clock frequency:** 6 - 27 MHz
- sensitivity:** 3,400 e<sup>-</sup>/Lux-sec
- max S/N ratio:** 37.3 dB
- dynamic range:** 72.9 dB @ 16x gain
- scan mode:** progressive
- pixel size:** 1.00 μm x 1.00 μm
- image area:** 5257.73 μm x 3951.36 μm
- die dimensions:**
  - COB: 6210 μm x 4446 μm
  - RW: 6260 μm x 4515.8 μm

## Functional Block Diagram



4275 Burton Drive  
Santa Clara, CA 95054  
USA

Tel: +1 408 567 3000  
Fax: +1 408 567 3001  
www.ovt.com

OmniVision reserves the right to make changes to their products or to discontinue any product or service without further notice. OmniVision, the OmniVision logo and PureCel are registered trademarks of OmniVision Technologies, Inc. All other trademarks are the property of their respective owners.



**OmniVision**