

Applications

- Notebook
- Video
- Personal digital assistants
- MP3 Player
- Cellular handsets
- USB 2.0 Power and Data line Protection



SOD323

Feature

- With TVS Diode
- ESD Protection:Level 4
- Low clamping voltage
- 350 Watts peak pulse power per line(tp=8/20uS)
- Working Voltage:5 Volts
- Protection one line I/O port



Mechanical Characteristics

- Molded JEDEC SOD323 package
- Packing:Tape and Reel
- Flammability rating UL 94V-0

IEC Compatibility

- EN61000-4
- 61000-4-2(ESD):Level 4,Contact:±8kv,Air:±15kv
- 61000-4-4(EFT):40A-5/50ns
- 61000-4-5(Surge):4A-8/20us

COSMOS WEALTH

Device Characteristics

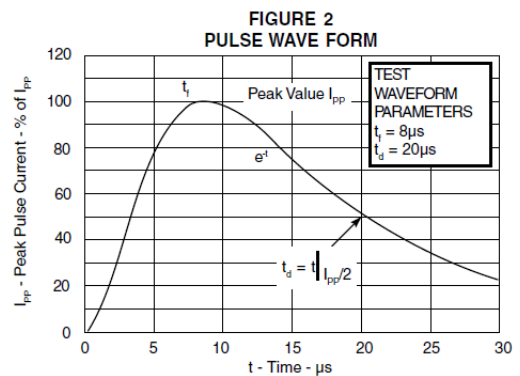
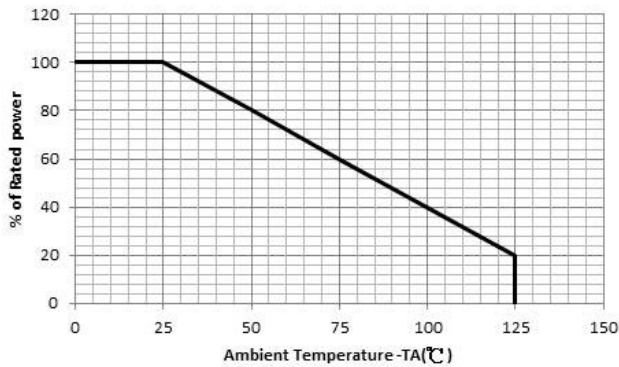
Maximum Ratings@25 unless otherwise specified			
Parameter	Symbol	Value	Units
Peak pulse power (tp=8/20us)	P _{PP}	350	Watts
Operating Temperature	T _J	-55°C~150°C	°C
Storage Temperature	T _{STG}	-55°C~150°C	°C

Electrical Characteristics

Parameter	Symbol	Condition	min	max	Units
Reverse Stand-off Voltage	V_{RWM}			5	V
Reverse Breakdown Voltage	$V_{BR(min)}$	$I_z=1mA$ Pin to Pin	6		V
Reverse Leakage Current	$I_{R(max)}$	@ V_{RWM}		10	μA
Forward Voltage	$V_{F(max)}$	$I_F=15mA$		1.15	V
Clamping Voltage	V_C	$I_{PP}=1A$ $t_p=8/20\mu s$		9.8	V
Peak Pulse Current	I_{PP}	$t_p=8/20\mu s$		5	A
Junction Capacitance	$C_{I/O}$	Pin capacitance to GND. $V_{dc}=0V, f=1MHz$		150	pf

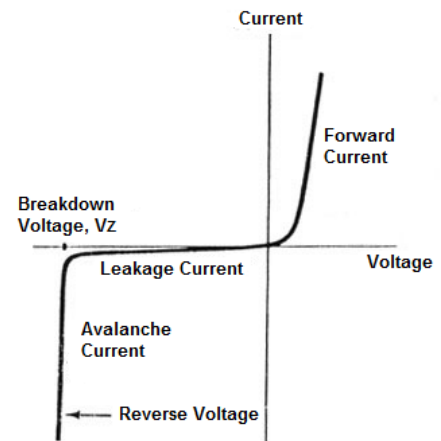
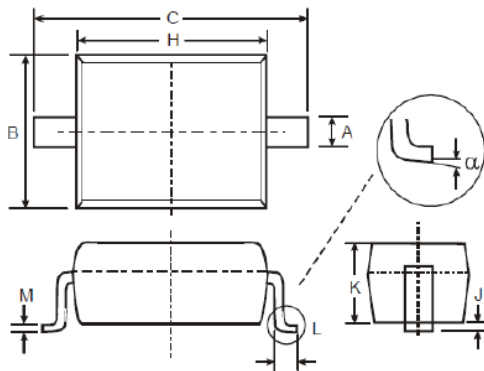
Rating and characteristic curve

FIGURE 1
Power Derating Curve

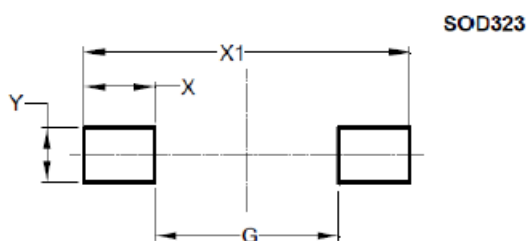


Electrical Characteristics (T = 25°C)

Symbol	Parameter
V_{RWM}	Nominal Reverse Working Voltage
I_R	Reverse Leakage Current @ V_{RWM}
V_{BR}	Reverse Breakdown Voltage @ I_T
I_T	Test Current for Reverse Breakdown
V_C	Clamping Voltage @ I_{PP}
I_{PP}	Maximum Peak Pulse Current
C_{ESD}	Parasitic Capacitance
V_R	Reverse Voltage
f	Small Signal Frequency


Ordering information


SOD323		
Dim	Min	Max
A	0.25	0.35
B	1.20	1.40
C	2.30	2.70
H	1.60	1.80
J	.00	0.10
K	1.0	1.1
L	0.20	0.40
M	0.10	0.15
α	0°	8°
All Dimensions in mm		



Dimensions	Value (in mm)
G	1.520
X	0.590
X1	2.700
Y	0.450



Futurewafer Technology Co., Ltd 台灣未來芯航電股份有限公司

Tel : +886-3-3573583/Tel : +886-3-3574065

Futurewafer.com.tw

桃園市桃園區中正路 987 巷 50 弄 2 號