

# EC axial fans

Series W3G250 Ø 280 x 280 x 80 mm



## Highlights:

- Control Input: 0-10 VDC/PWM
- Output: 10 VDC, max 1.1 mA
- Tach Output
- Over-temperature protected electronics
- Soft start, motor current limit
- Locked rotor protection

**Material:** Impeller: PP plastic  
Electronic housing: Die-cast aluminum

**Mounting position:** Any

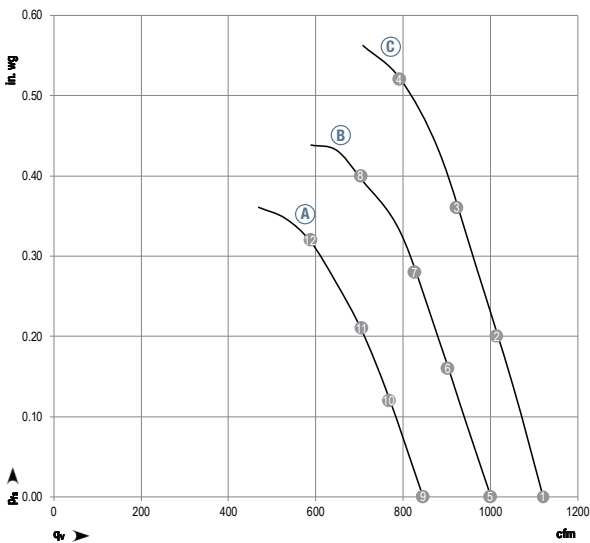
**Condensate discharge holes:** None, open rotor

**Direction of rotation:** Counter-clockwise, seen on rotor

Nominal Data		Air flow	Phase	Voltage	Voltage range	Frequency	Power input (1)	Speed (1)	Current draw (1)	Max back pressure	Temperature range (1)	Mass	Bearing	Ingress protection rating	UL	Chart
Type	Motor	cfm		VAC	VDC	Hz	W	rpm	A	in. H <sub>2</sub> O	°C	lbs				
W3G250-HK35-11	M3G055-CF	1120	1~	115V	100...130	50/60	125	2700	1.9	0.52	-25...60	7.62	Ball	IP54	Yes	Ⓒ
W3G250-HK19-11	M3G055-CF	1120	1~	230V	200...240	50/60	125	2700	1.1	-	-25...60	7.62	Ball	IP54	Yes	Ⓒ
W3G250-HH07-03	M3G055-CF	1000	1~	230V	200...240	50/60	83	2330	0.72	-	-25...60	4.62	Ball	IP54	Yes	Ⓑ
W3G250-HH53-03	M3G055-CF	846	1~	115V	100...130	50/60	56	2040	0.9	0.32	-25...50	4.62	Ball	IP54	Yes	Ⓐ

(1) Nominal data at maximum load.

## Curves



Air performance measured as per: ISO 5801, Installation category A, without protection against accidental contact.

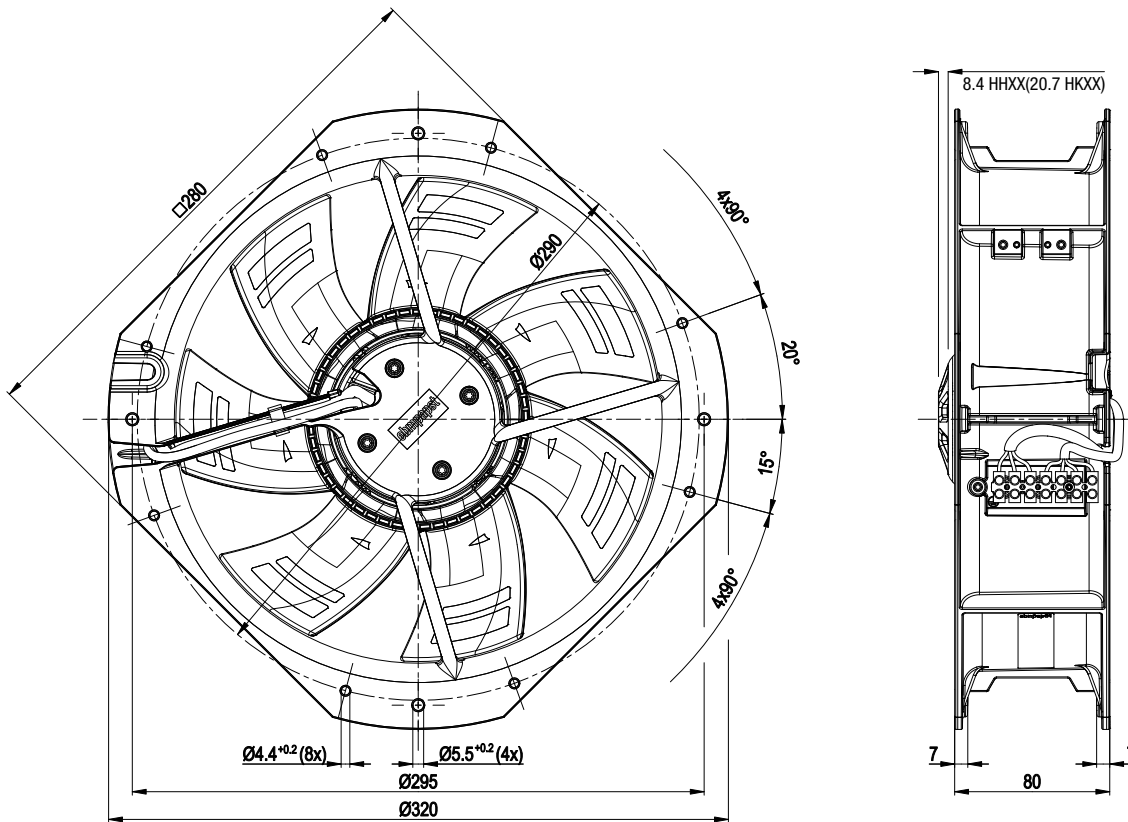
Suction-side noise levels: L<sub>WA</sub> as per ISO 13347, L<sub>PA</sub> measured at 1m distance to fan axis.

The values given are valid under the measuring conditions mentioned and may vary according to the actual installation situation.

With any deviation to the standard set-up, the specific values have to be checked and reviewed once installed or fitted.

For detailed information on the measuring set-up, please contact ebm-papst.

	n rpm	Pe W	I <sub>230V</sub> A	I <sub>115V</sub> A	L <sub>pAin</sub> dB(A)	L <sub>WAin</sub> dB(A)
1	2845	96	0.83	1.43	64	70
2	2795	109	0.93	1.61	64	70
3	2755	119	1.01	1.72	64	71
4	2700	125	1.10	1.90	64	71
5	2465	67	0.59	-	62	69
6	2410	75	0.65	-	61	69
7	2375	80	0.68	-	61	68
8	2330	83	0.72	-	60	68
9	2133	43	-	0.72	57	65
10	2101	49	-	0.80	57	65
11	2087	52	-	0.84	57	64
12	2054	55	-	0.90	60	66



Connection screen

