

SAW Filter 163MHz
Part No: MA04407

Model: TA0168A
Rev No: 2

A. MAXIMUM RATING:

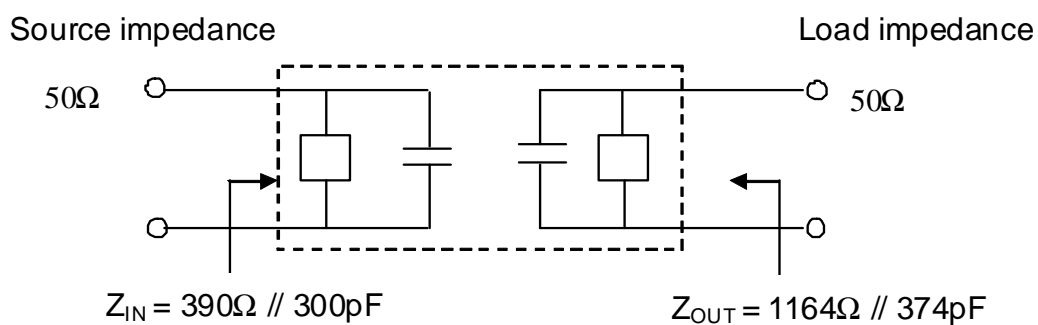
1. Input Power Level: 0dBm
2. DC voltage: 10V
3. Operating Temperature: -10°C to +50°C
4. Storage Temperature: -40°C to +85°C

B. ELECTRICAL SPECIFICATION:

Characteristics	Specification	Note
Center frequency Fc (MHz)	163	1
Insertion Loss IL (Within Fc ± 4MHz) (dB)	6.5 Max.	1
Amplitude Ripple AR (Within Fc ± 4MHz) (dB)	2.1 Max.	
Attenuation: (Reference level from 0dB) (dB)		
Fc - 100MHz to -38.8MHz (dB)	50 Min.	1
Fc + 38.8MHz to +100MHz (dB)	42 Min.	
Impedance at Fc		
Input $Z_{IN} = R_{IN} // C_{IN}$	390Ω // 300pF	2
Output $Z_{OUT} = R_{OUT} // C_{OUT}$	1164Ω // 374pF	2

Note1. The standard definitions is in JIS C 6703

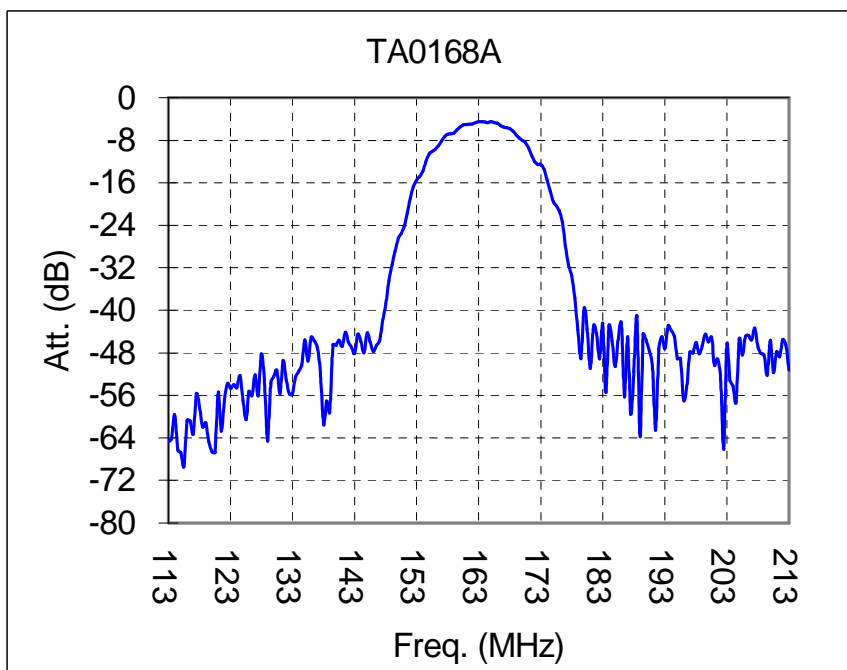
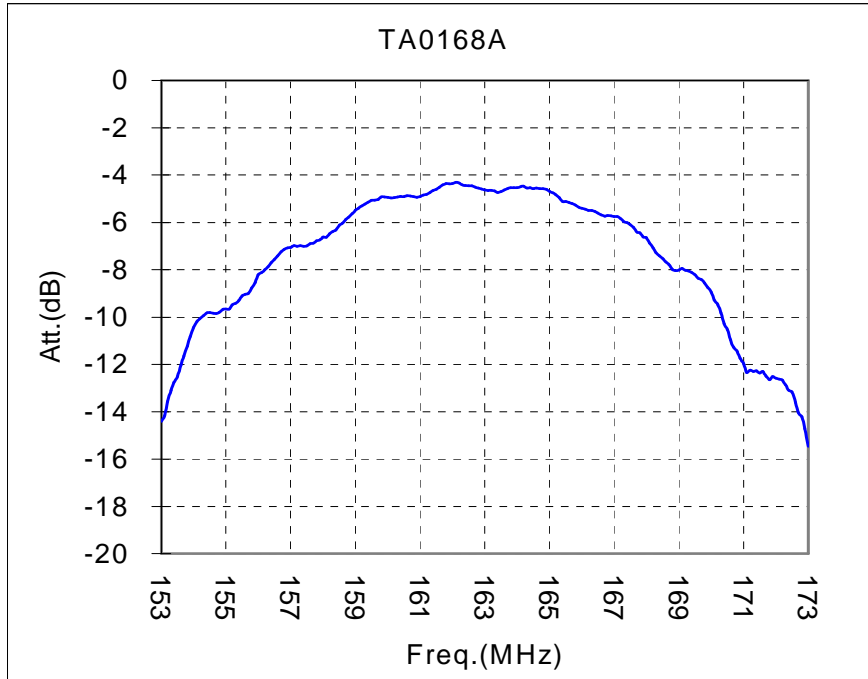
Note2.



SAW Filter 163MHz
Part No: MA04407

Model: TA0168A
Rev No: 2

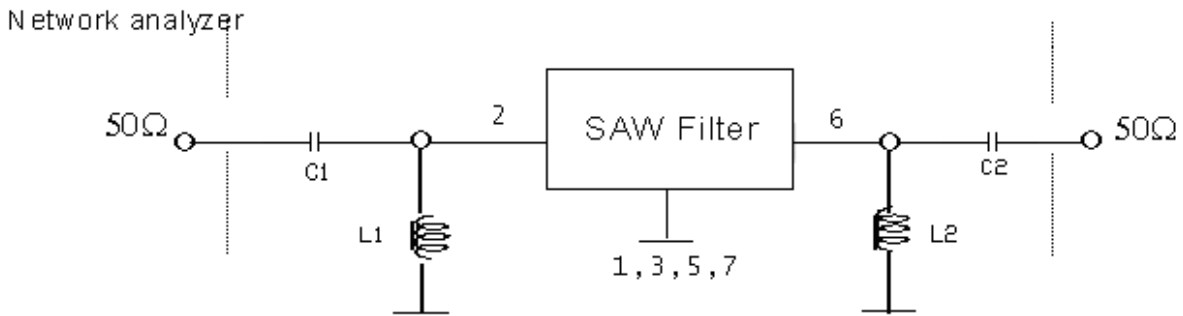
C. FREQUENCY CHARACTERISTICS:



SAW Filter 163MHz
Part No: MA04407

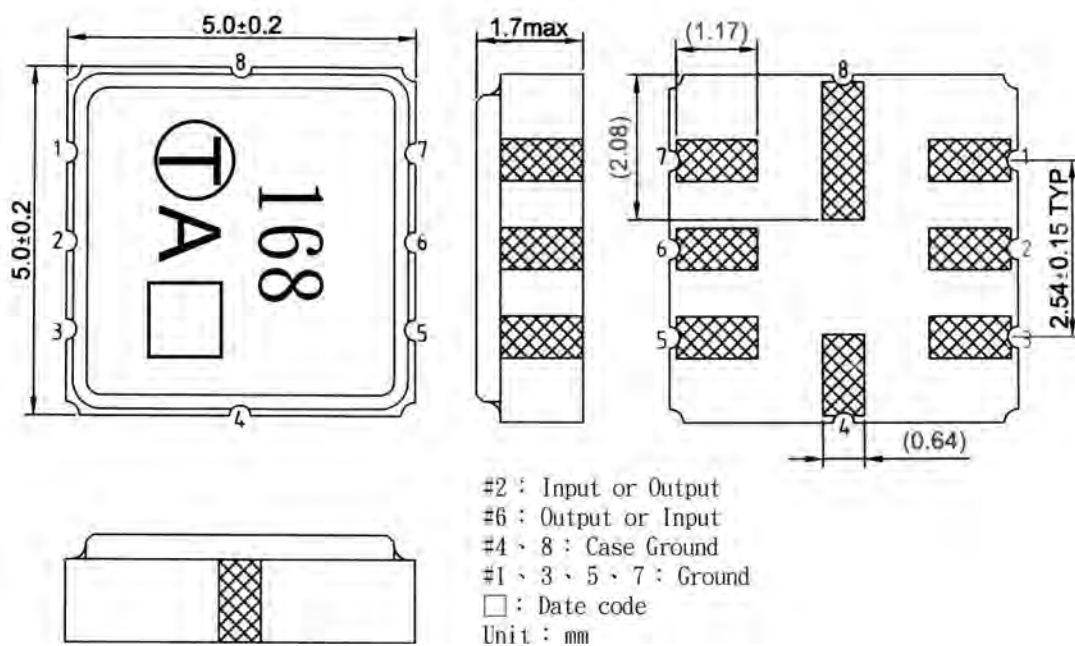
Model: TA0168A
Rev No: 2

D. MEASUREMENT CIRCUIT:



C1 = 12pF, L1 = 47nH
 C2 = 8pF, L2 = 47nH

E. OUTLINE DRAWING:

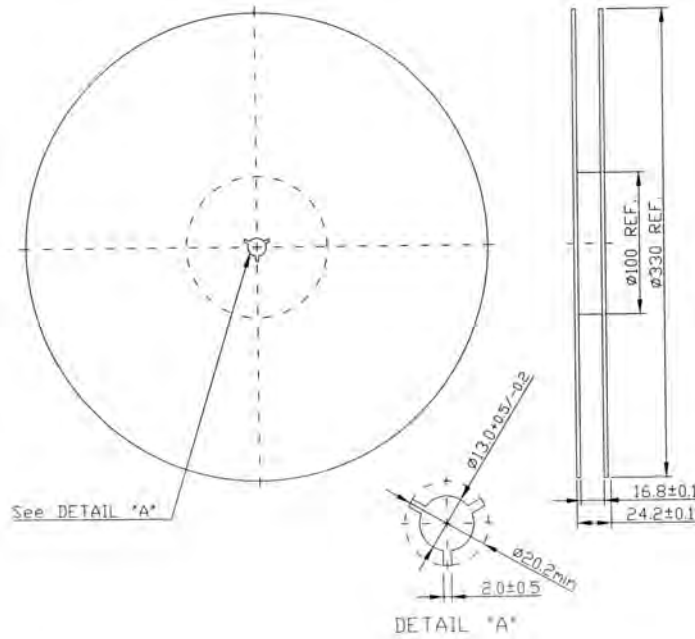


SAW Filter 163MHz
Part No: MA04407

Model: TA0168A
Rev No: 2

F. PACKING:

1. REEL DIMENSION



2. TAPE DIMENSION

