



PM3S96-00240020

Mirror columns with separate mirrors

MIRROR COLUMNS AND DEVICE COLUMNS

SICK
Sensor Intelligence.



Ordering information

Type	Part no.
PM3S96-00240020	1040619

Other models and accessories → www.sick.com/Mirror_columns_with_separate_mirrors

Detailed technical data

Features

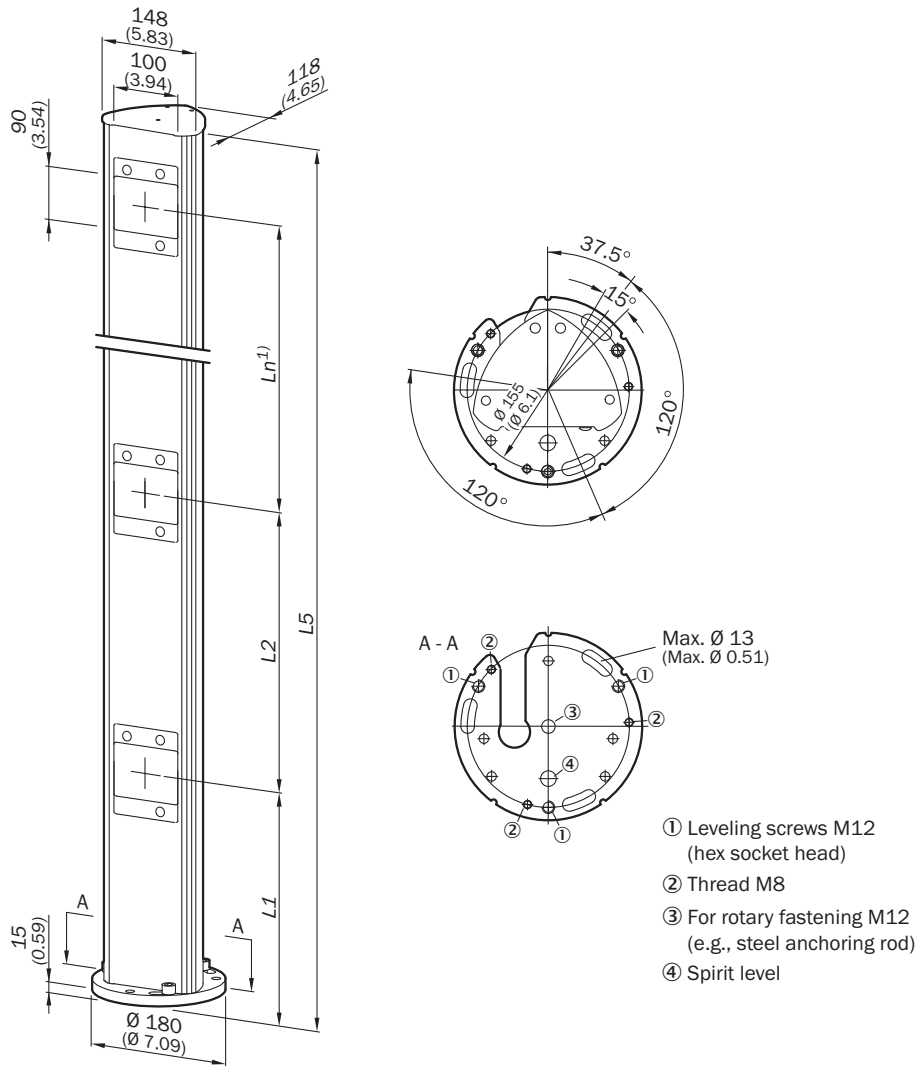
Model	Mirror columns with up to 4 adjustable individual mirrors
Suitable for	Multiple light beam safety devices
Suitable for number of beams	2
Suitable for beam separation	500 mm
Type of diversion	Horizontal

Mechanical data

Number of mirrors	2
Mirror length	90 mm
Mirror width	100 mm
Column height	985 mm
Height of first beam above ground	400 mm
Dimensional drawing	
	L1 400 mm
	L2 500 mm
	L5 985 mm
Weight	5,882 g

Dimensional drawing (Dimensions in mm (inch))

Horizontal deflection. Pay attention to the reduction of the scanning range!



- ① Leveling screws M12 (hex socket head)
- ② Thread M8
- ③ For rotary fastening M12 (e.g., steel anchoring rod)
- ④ Spirit level

SICK AT A GLANCE

SICK is one of the leading manufacturers of intelligent sensors and sensor solutions for industrial applications. A unique range of products and services creates the perfect basis for controlling processes securely and efficiently, protecting individuals from accidents and preventing damage to the environment.

We have extensive experience in a wide range of industries and understand their processes and requirements. With intelligent sensors, we can deliver exactly what our customers need. In application centers in Europe, Asia and North America, system solutions are tested and optimized in accordance with customer specifications. All this makes us a reliable supplier and development partner.

Comprehensive services complete our offering: SICK LifeTime Services provide support throughout the machine life cycle and ensure safety and productivity.

For us, that is “Sensor Intelligence.”

WORLDWIDE PRESENCE:

Contacts and other locations –www.sick.com