



7 Section Highpass Filter With SMA Female Connectors Operating From 2 GHz to 18 GHz

TECHNICAL DATA SHEET

PE87FL1019

The PE87FL1019 is a seven section High pass filter. The pass band is 16,000 MHz wide, from 2 GHz to 18 GHz with excellent rejection of 40 dB from DC to 1 GHz. It has a maximum insertion loss of 2 dB. The PE87FL1019 has SMA female connectors.

Configuration

Design	High Pass Filter
Number of Sections	7
Connector 1	SMA Female
Connector 2	SMA Female
Passband Frequency Range	2 to 18 GHz

Electrical Specifications

Description	Minimum	Typical	Maximum	Units
Passband Freq.	2		18	GHz
Useable Freq. Range		2 to 18		GHz
Impedance		50		Ohms
Insertion Loss			2	dB
Input Power			5	Watts
Rejection at 0 KHz	40			dB
Rejection at 1000 MHz	40			dB

Mechanical Specifications

Size	
Length	0.85 in [21.59 mm]
Width	0.6 in [15.24 mm]
Height	0.7 in [17.78 mm]

Connectors

Description	Connector 1	Connector 2
Type	SMA Female	SMA Female

Compliance Certifications (visit www.Pasternack.com for current document)

RoHS Compliant	
REACH Compliant	06/14/2014

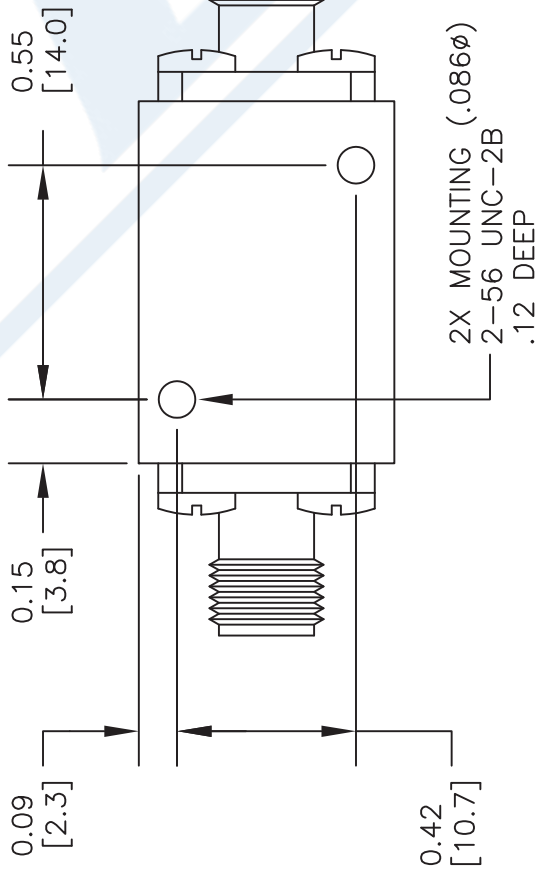
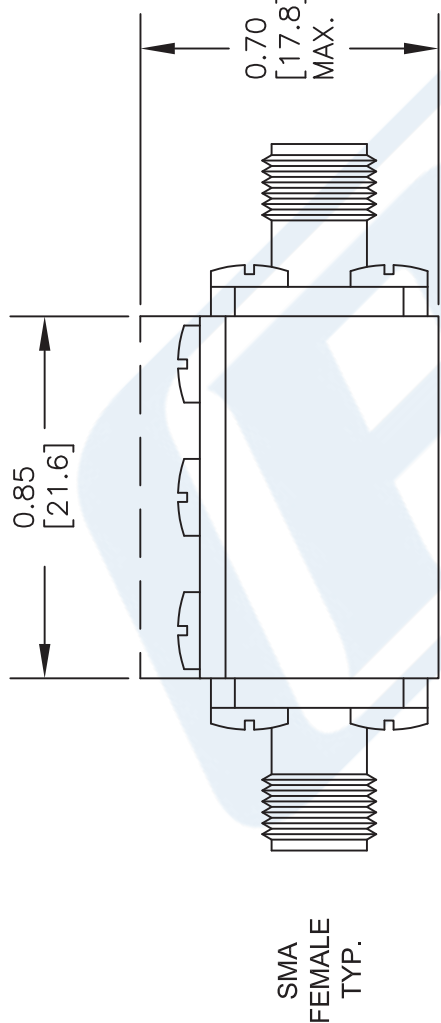
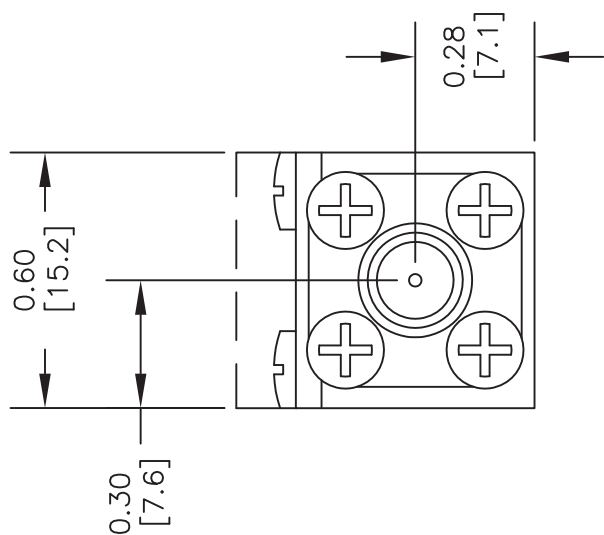
Plotted and Other Data

- Notes:
- Values at +25 °C, sea level

Click the following link (or enter part number in "SEARCH" on website) to obtain additional part information including price, inventory and certifications: [7 Section Highpass Filter With SMA Female Connectors Operating From 2 GHz to 18 GHz PE87FL1019](#)

PE87FL1019 CAD Drawing

7 Section Highpass Filter With SMA Female Connectors Operating From 2 GHz to 18 GHz



TOLERANCE	
.X	± .1
.XX	± .01
.XXX	± .005
.XXXX	± .0010

* THESE DIMENSIONS AND TOLERANCES SUPERSEDE NOTE #1 ON TITLE BLOCK.

NOTES:

1. UNLESS OTHERWISE SPECIFIED ALL DIMENSIONS ARE NOMINAL.
2. ALL SPECIFICATIONS ARE SUBJECT TO CHANGE WITHOUT NOTICE AT ANY TIME.
3. DIMENSIONS ARE IN INCHES [mm].

DWG TITLE

PE87FL1019



PASTERNAK
 THE ENGINEER'S RF SOURCE
 Pasternack Enterprises, Inc.
 P.O. Box 16759 | Irvine | CA | 92623
 Phone: (949) 261-1920 | Fax: (949) 261-7451
 Website: www.pasternack.com | E-Mail: sales@pasternack.com

FSCM NO. 53919

CAD FILE 110215

SCALE N/A

SIZE A

2233