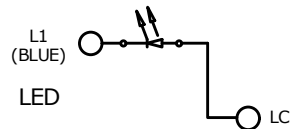
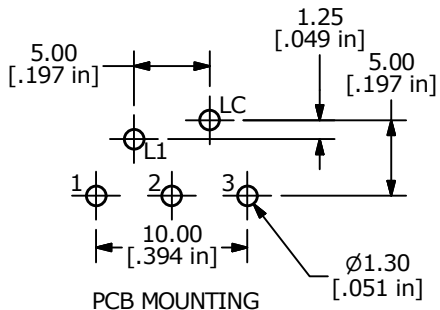
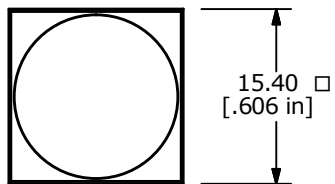


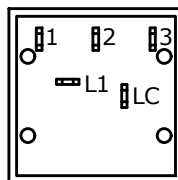
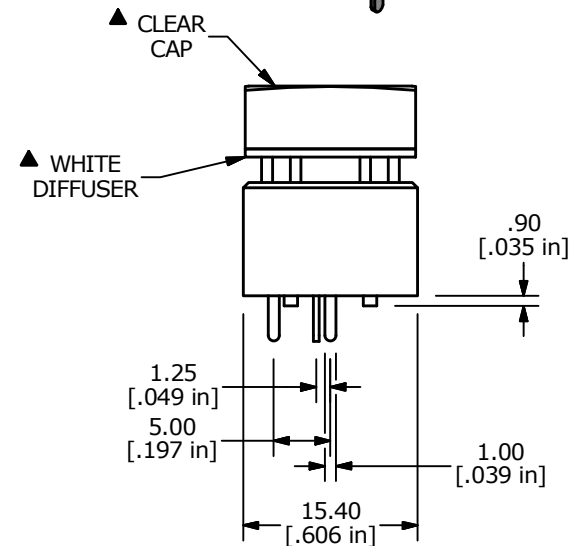
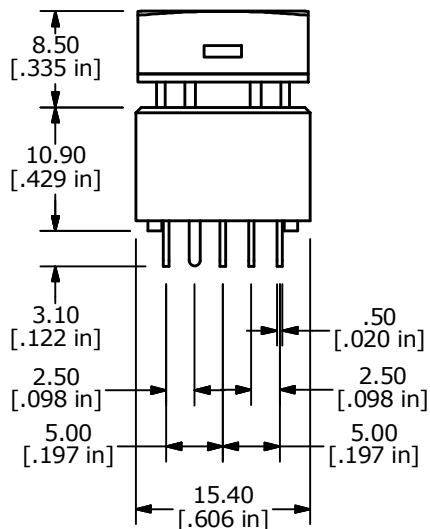
SWITCH SCHEMATIC (MOMENTARY)



CIRCUIT LAYOUT



PCB MOUNTING



- NOTES:
1. ALL DIMENSIONS IN MM
 2. GENERAL TOLERANCE: X.X=±0.4
X.XX=±0.25
 3. TERM. NOS. FOR REFERENCE ONLY.
 - ▲ 4. CONTACT RATING: 0.1A MAX. @ 28VDC
 5. CONTACT MATERIAL: GOLD
 6. ELECTRICAL LIFE: 200,000 Typical
 7. OPERATIONAL LIFE: 200,000 CYCLES TYP.
 8. OPERATING TEMP: -40°C TO +85°C
 9. OPERATING FORCE: 200 ± 100 gf
 10. CONTACT RESISTANCE:
100 MILLI-OHM INITIAL TYP. MAX.
 11. DIELECTRIC STRENGTH:
1000 VAC FOR 1 MINUTE
 12. TRAVEL TO MAKE: 2.20mm ± 0.2
 13. 2011/65/EU (ROHS) COMPLIANT
 14. ▲ DENOTES CRITICAL PARAMETER
 - ▲ 15. LED COLOR: BLUE: 1 CHIP; 3.3VDC, @20mA TYP.

C	22342	UPDATED CONTACT RATING	9/12/16	MJR
B	19708	UPDATE DRAWING	02/25/11	BMA
A	18081	RELEASE FOR PRODUCTION	05/07/08	BLR
REV	PCR NO	DESCRIPTION	DATE	BY



TITLE ULP12OAP1RSSCL1BLUNIL				
SCALE 3:2	DATE 5/7/2008	DR BLR	DWG B800020	REV C

THE INFORMATION CONTAINED IN THIS DOCUMENT IS PROPRIETARY TO E-SWITCH AND IS NOT TO BE COPIED OR TRANSFERRED