

PART NAME: KNOB      SCALE: 1:1      DATE: 6/23/41      DR. BY JC

THIS DRAWING IS THE PROPERTY OF DAVIES MOLDING COMPANY, IS SUBMITTED SOLELY AS A DESIGN OR ENGINEERING PROJECT. WE ACCEPT NO RESPONSIBILITY WHATSOEVER FOR THE PRACTICAL APPLICATION OF THE PIECES MADE TO THIS DESIGN.

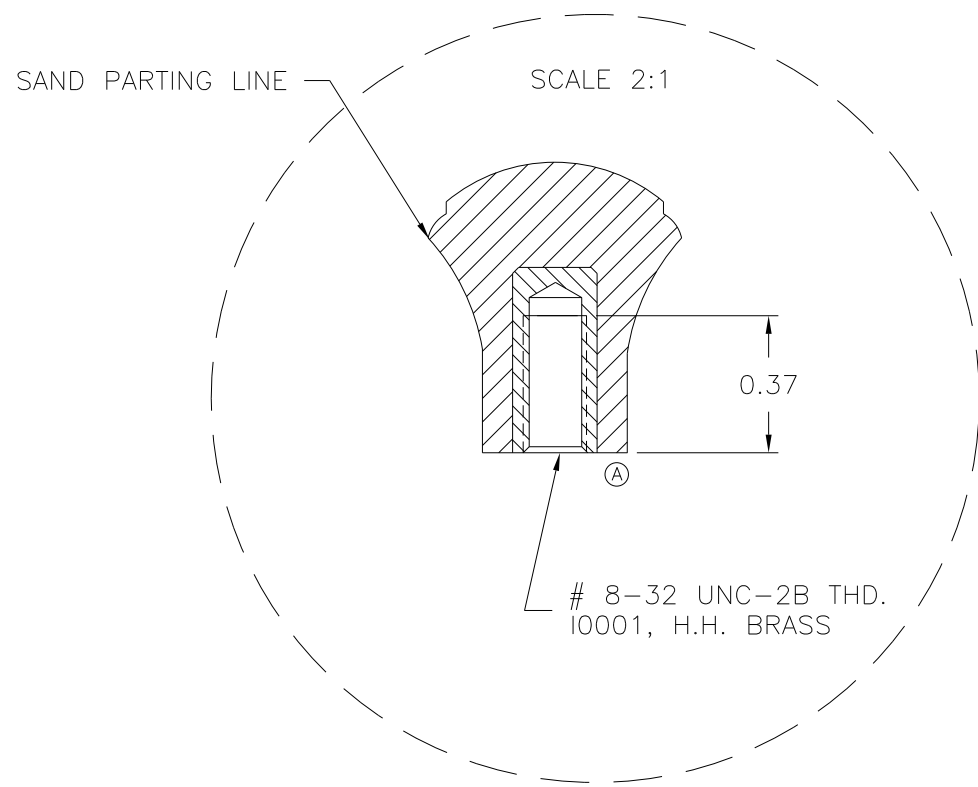
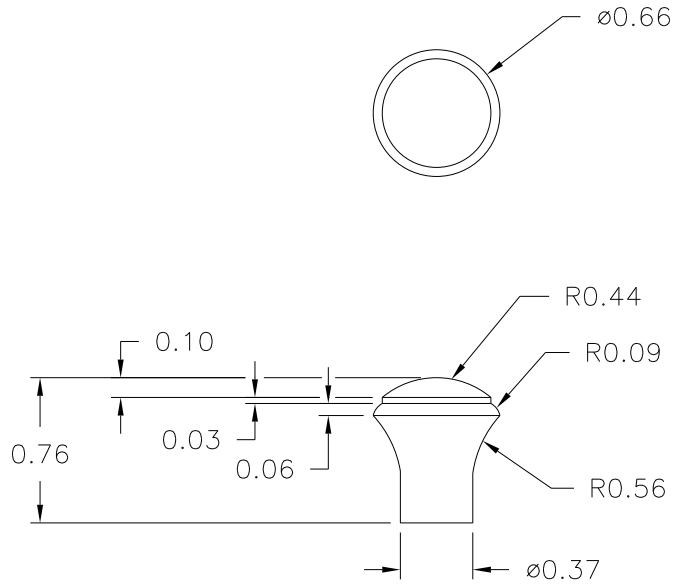


DESIGNERS & MANUFACTURERS  
OF KNOBS, HANDLES, CASES &  
CUSTOM PLASTIC COMPONENTS

P/N 3001

BASE PART 3001-06

(B) (A)



MATERIAL: G.P. PHENOLIC (B11)  
COLOR: BLACK

TOLERANCES: UNLESS OTHERWISE SPECIFIED	DO NOT SCALE DRAWING	B	ADDED BASE PART	JAM	5/21/13
		A	REMOVED 0.010 C'BORE, CORRECTED TOOLING BOX	TS	6/6/02
DECIMALS: X.XXX ± .005 X.XX ± .015	MM: X.XX ± 0.15MM X.X ± 0.4MM	-	CLEANED-UP REDRAW	TS	4/12/2000
		-	CAD/REDRAWN	HD	8/26/97
FRACTIONS ± 1/64	ANG. ± 1°	CHANGES			