

# MICRO SWITCH

FREERPORT ILLINOIS, U.S.A.  
A DIVISION OF HONEYWELL  
FED. MFG. CODE 91929

# ASSEMBLY - PUSHBUTTON SWITCH

CATALOG LISTING  
**2PB732-T2**

MILITARY P/N  
M8805 / 23-001

2PB732-T2

M

DRAWING NUMBER

10

ISSUE

REVISIONS

A SRI2939

M B F  
9 AUG 67

B CO26314

S R H  
4 SEPT 69

C CO26040

M B S  
6 OCT 69

D CO27631

OMW  
19 JUN 70

E CO27719

M B S  
10 AUG 70

F CO32757

R E R  
28 NOV 73

G CO-93593

P P F  
26 OCT 98

H CO-94273

G J W  
15 APR 99

REPLACES

RELEASE NO. SR 12939

CHECK

26 OCT 98

CHECK

J A F

26 OCT 98

CHECK

J A F

26 OCT 98

CHECK

L S D

9 AUG 67

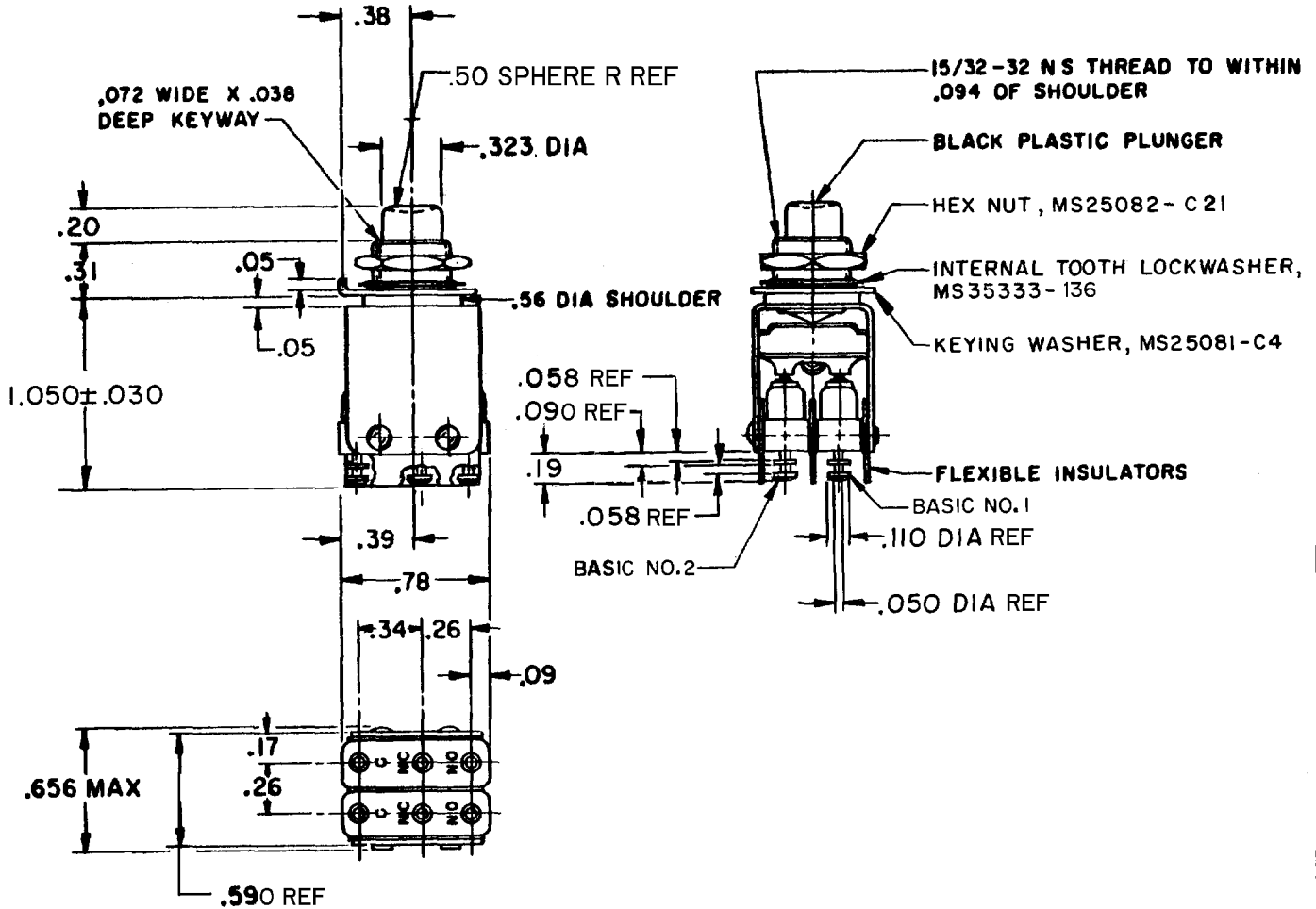
CHECK

M B F

9 AUG 67

DRAWN

FO-80378-1A



**NOTES**

- 1 - UNIT INCLUDES MS 25085-2 TYPE BASIC SWITCH (2)
- 2 - TERMINALS ARE PLATED FOR SOLDERING
- 3 - SWITCHES DO NOT NECESSARILY OPERATE SIMULTANEOUSLY

THIS DRAWING COVERS A PROPRIETARY ITEM AND IS THE PROPERTY OF MICRO SWITCH, A DIVISION OF HONEYWELL. THIS DRAWING IS NOT TO BE COPIED OR USED WITHOUT THE APPROVAL OF MICRO SWITCH.

**CHARACTERISTICS**

OPERATING FORCE — — — 4.5 LB MAX  
 TOTAL TRAVEL — — — .100 APPROX

**ELECTRICAL DATA**

CONTACT ARRANGEMENT  
 S P D T (2)

LOAD	SEA LEVEL		50,000 FT.
	28 VDC	115 VAC	28 VDC
RESISTIVE	5	5	5
INDUCTIVE	3	5	2.5
LAMP	2.4	1.5	2.4

**SCALE FULL**

DO NOT SCALE PRINT

UNLESS OTHERWISE NOTED  
 DIMENSIONS ARE IN INCHES  
**TOLERANCES ARE:**

ONE PLACE	(.0)	±.030
TWO PLACE	(.00)	±.015
THREE PLACE	(.000)	±.005
ANGLES		±

WEIGHT .055 LB MAX

FORMTEK

FO-80378-1A